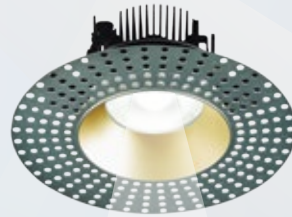
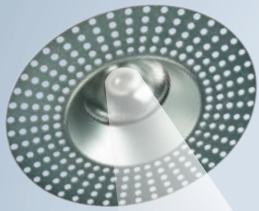
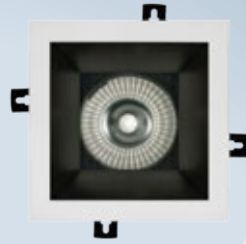
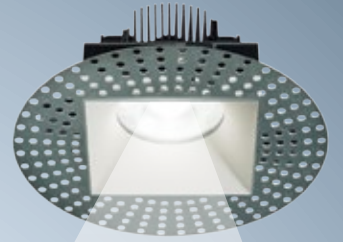


NEW PRODUCTS 2016



FRAXION™

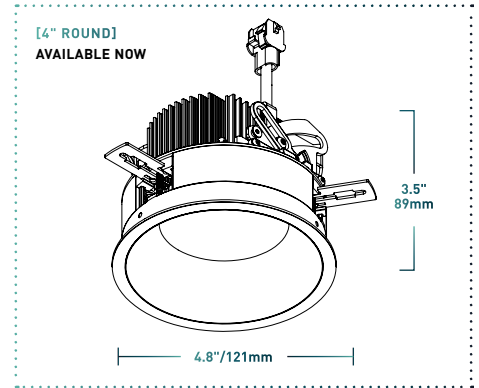
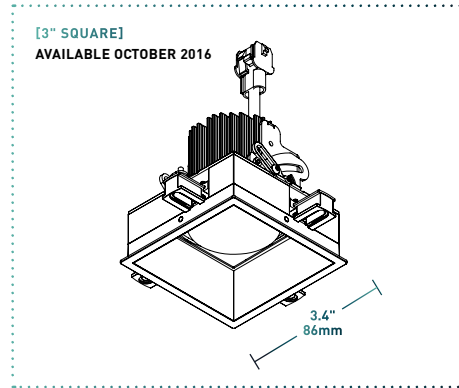
Applied for patent pending.

Introducing the Fraxion™ downlight. Discover the most innovative features, advanced engineering, and sleekest design sensibility. Choose from totally trimless, microflange and regular flange, square or round, interior or IP64 wet location, and multiple finishes. Enjoy exceptional adjustability,

punchy angles and smooth transitions from beam to field, with a unique, sliding pivot point that perfectly maintains center beam up to 40°. Easy installation, with the industry's best ratio of flange to contractor goof. It's everything you've ever wanted, and a few welcome surprises, in a single fixture.

SMALL SCALE

Fraxion™ offer precise light control in a minimalist form that reduces depth and flange profile. All models available in both round and square.



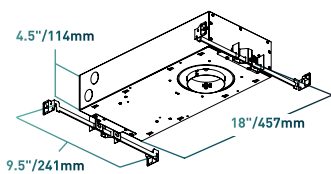
TRIM OPTIONS

- 3 trim options: trimless, microflange, and standard
- Trimless installs flush to ceiling with integrated appliques
- Identical IP64 wet location model with baffle-concealed seals and gaskets

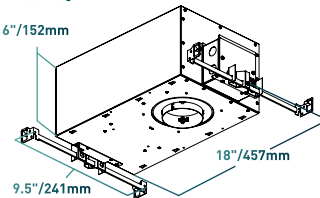


SHALLOW RECESS DEPTH

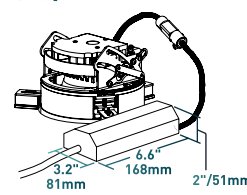
[NON-IC HOUSING]



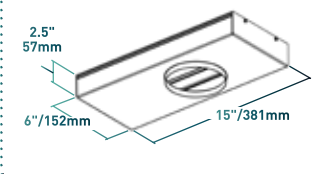
[IC HOUSING]



[REMODEL]

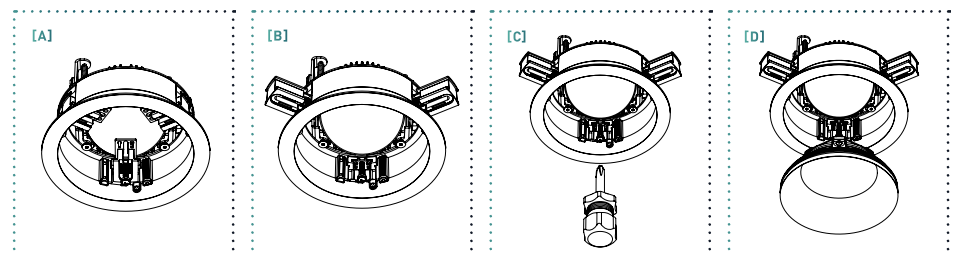


[SHALLOW HOUSING IC/ NIC]



EASE OF INSTALLATION

The simple, 4-step trim installation includes adjustment and ensures the fixture remains tight to the ceiling, without sagging or light leaks.

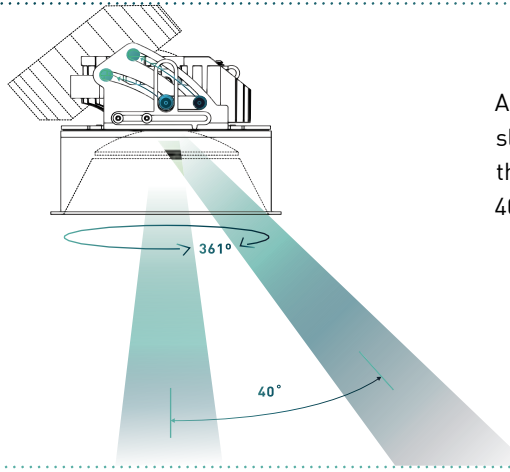


[A] Remove the pop-off baffle. Depress 3 metal arms into ceiling cut-out. Insert fixture through ceiling cut-out. **[B]** Once flush against the ceiling plane, push 3 arms back out of the fixture body.

[C] Using a standard Phillips screwdriver, pull arms down to clamp the fixture to the ceiling panel. Make desired adjustments to tilt and rotation. **[D]** Insert baffle up and into the aperture until it nestles into place.

PERFORMANCE

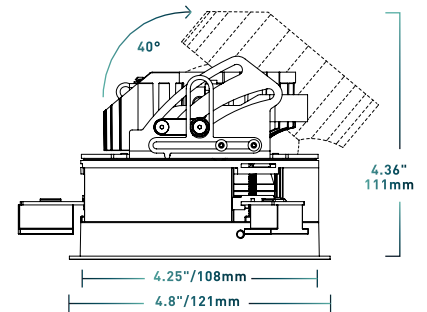
Fraxion™ downlights represent the pinnacle of technical design, allowing precision aiming and punchy, smooth beams, in a user-friendly, easy-to-adjust fixture. Up to 2200 delivered lumens.



As product is adjusted, the pivot point slides to ensure perfect maintenance of the center beam, without clipping, up to 40 degrees.

ADJUSTMENT

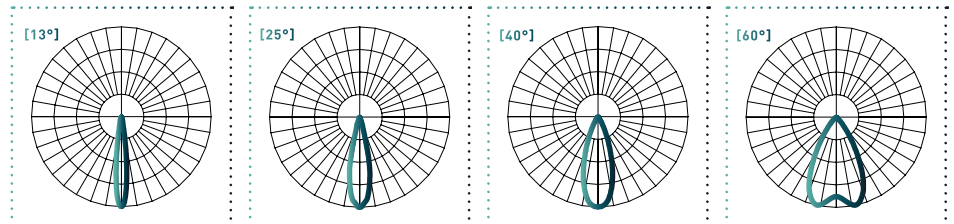
- Proprietary sliding pivot point optimizes center beam at all positions
- Hot aim adjustability on rotation and tilt with universal Phillips screw driver
- Centerbeam not affected by the ceiling thickness
- Can go to full tilt in ceiling up to 1.25" (32mm)
- Angle of adjustment clearly visible from the room side



OPTICS

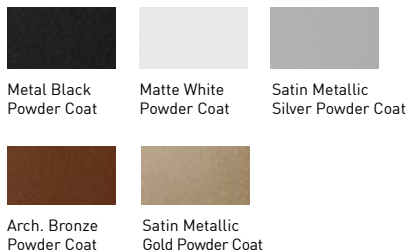
- Easy to use field-changeable optics
- 3" Fraxion Beam Angles: 15°, 25°, 40°, 60°
- 4" Fraxion Beam Angles: 13°, 25°, 40°, 60°

4" FRAXION DOWNLIGHT



BEAUTY

Specify baffle and trim finish separately from any of the options below.



TRACK + SPOTS

Now you can have clean sight lines of track lighting without the bulky adaptors. We've integrated the stem adaptor alongside the Spot fixture for ease in attachment to the Track. The Spots are inspired by our popular Cylinder series fixtures, with integrated power supply and new optics for beam control. Up to 2200 delivered lumens.

Available October 2016. Applied for patent pending.

SEAMLESS

- Adaptor and driver are integrated into the fixture
- Elegant connection between fixture, adapter, and track
- Trimless and surface mount
- Controls light with reflection, refraction, and TIR for strong beam and low glare

CONVENIENT

- One-handed installation
- Self-locking tilt, with 361° rotation
- Field-changeable optics

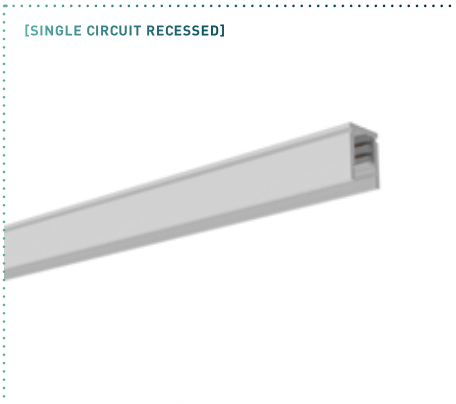
VERSATILE

- 13°, 25°, 40° and 60°
- White and black head finishes
- Black or white track
- Accepts 1 effects device and 1 gel

INSTALLATION OPTIONS



TRACK PROFILES



FINISHES

