

INSPIRATION

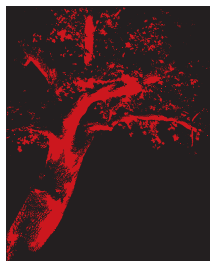


Table of Contents

History of B-K Lighting _____	2	
	6	_____ Anatomy of the Catalog
GreenSource™ Initiative _____	8	
	10	_____ Floodlights
Signlights _____	48	
	82	_____ Path and Area
Recessed Ground _____	116	
	190	_____ Architectural Recessed
Architectural Surface _____	222	
	252	_____ Options & Accessories
Technical Information _____	284	
	298	_____ Catalog Ordering Logic
Finishes _____	404	
	408	_____ Custom Designs
Index / Credits _____	410	

HISTORY B-K OF B-K LIGHTING

After thirty years in business, B-K Lighting is still as excited about manufacturing new and innovative lighting products, passionate about our customers, and engaged in building our future, as we were in the early days of the company back in 1984.

B-K Lighting was founded incredibly, around a 7 oz. aluminum beer can. My team and I theorized many years ago that such a device would make the perfect housing for an MR16 lamp and if manufactured water-tight, could be marketed as an efficient and inconspicuous flood light. Experiments led to the development of our very first product which we called Lite Star™.

The Lite Star™ was a unique approach when it was introduced because of its air-cooled ventilation and a tool-less cap – and because it offered an incredible value to specifiers. This initial product, though physically small became a goliath in the lighting industry because of its reliability and straightforward design. Other products were also launched alongside the little floodlight that could, like our ever-popular Step Star™ and in-grades but it was the design and essence of the Lite Star™ that launched B-K Lighting to a destiny that I am both proud of and humbled by. This spirit lives on, in each and every product.



2014 represents B-K Lighting's 30th year in business as an independent lighting manufacturer. It is a milestone that should be marked and remembered. We

have not only survived the demands of the lighting industry but have led from the front with continued innovation and forward thinking. Where others have stagnated we have adapted, embraced technology and pushed the envelope of design and manufacturability.

Our company philosophy is firmly grounded in understanding the lighting industry through the disciplines of architecture, engineering and lighting design. This belief allows B-K Lighting to be a proactive, holistic manufacturer rather than a reactive one and appreciatively, more as an institution than a simple manufacturer.

We have been fortunate to experience various expansions over the years and, as all businesses occasionally do, have felt the heart-breaking effects of market contraction. Even so, B-K Lighting, because of its continued independence, has been able to lead when others have consolidated into the conglomerate's shadow. I have stated many times that as B-K Lighting continues to



advance the industry, and as new generations are given the reigns of leadership, our company will remain independent, flexible and customer orientated.

Our company is a living testament not only to the dedication of pure materials, lean-and-green manufacturing and technological advancements but speaks volumes of our employees and management team. They continually seek to improve both our company and the lighting profession itself; we are an invested partner in simplicity, functionality and powerful designs that make sense and are not only usable but desired by the design professional. To make it this far and still have the desire to be better is what drives our B-K family and brings them to work every day with renewed purpose.



This catalog marks our 30th anniversary celebration and accordingly is a book of inspiration. Throughout, you will find spectacular projects from our industry, the work of thousands, from every trade imaginable. They are tributes to our industry, the talent and professionalism it represents, the captivating and transformative power of light.

Readers will also find various quotations from our specifiers, customers, designers and Sales Representatives, many of whom are B-K University alumni, on their experience using our products. These quotes are the true voice of B-K Lighting, first-hand accounts from the front lines where our products meet the real world.

In closing, let me thank the lighting industry for embracing B-K Lighting as it has done for the past 30 years and for its support as we move into the next, for allowing us to not only illuminate but share in your workplace, homes and your lives.



B-K Lighting is honored to be a part of that story.

Handwritten signature of Douglas W. Sager in black ink.

CEO/FOUNDER
B-K LIGHTING c1984

B-K LIGHTING

Since 1984, B-K LIGHTING has provided the lighting industry with the highest quality, most innovative and fairly priced outdoor lighting fixtures available. Our luminaires have been recognized for their durability and reliability, and can be found in world renown institutions such as Duke and Yale University, illuminating fine art like Cannery Row's Steinbeck Monument and Vancouver's Line of Work, and private residences across the country. Thousands of projects of all types, from civic centers, shopping destinations, parks and palaces in cities ranging from Chicago, Dubai, New York, San Francisco and everywhere between testify our products' dependability. From the harshest desert environments to tranquil wineries and sacred, quiet places, B-K LIGHTING transforms darkness into inspiration.

B-K | lighting

ANATOMY | HOW TO USE THIS CATALOG

The B-K Lighting General Product Catalog has been specifically designed as a unit. Icons and designators have been created to help the user navigate with ease through our vast array of products.

Fixture Name
Traditionally titled after great American mountains, rivers and our famous Star line.

Category Tabs
Within each section color tabs indicate the fixture category.

Material Choices
Designated icons provide the material availability of each product.

For Use With
Compatible options for each and every product.
Power supply / housing is required for use.
Options are available in addition to standard features.
Mounting accessories are available for this product.
See pages 299 for more information on power supplies, accessories and options.

Page Identification
Clear type font and page numbers for quick and easy reference.

DENALI SERIES™ | DE

"It's just such a satisfying feeling holding a B-K fixture in your hand – the quality emanates both visually and in tactile form, but moreover its competence and sense of purpose are evident as well. Denali embodies all of what so many B-K fixtures do – compact effectiveness wrapped up in clean, confidence-inspiring, form-follows-function design. Really a go-to fixture for me."
Adam Kibbe, Collaborative Lighting, BKU Fall 2008

Shown with 'C' Cap in Bronze Winkle (BZW) finish

7" (178mm) | 3" Dia. (76mm) | 2 1/16" (50mm)

Denali™ Floodlights must be specified with a Drive Housing (See Accessories Section). See page 303 for Casting ordering information.

Keyword
Search products with keyword aliases at www.bklighting.com easily and efficiently.

Source Icons
Quickly identifies source type available for this product.

The Industry's Voice
The brightest in the industry have revealed, "Why B-K?"

Project Photo
Transformative and inspiring product applications.

Product Photo
Illuminating the many Class A finishes that may be specified along with accompanying details.

Product Drawing
Dimensional drawing to understand each luminaire's scale and physical properties.

Catalog Logic
Where to find specifying order logic and supplemental information.

TECHNICAL | PAGES

Additional pages have been added to the end of our catalog to aid with ordering as well as reference lamp/photometric data. Please visit our website www.bklighting.com for additional specifications and additional documentation.

DELTA STAR™ DS

Material | Aluminum
B/Brass
S/Stainless Steel

Series | DS/Delta Star™

Source | LED™ Technology with Integral Dimming Driver **ICCO**
Designed for use with BR22™ 100W Dimmer
20W min. load when dimmed. Requires magnetic Low Voltage Dimmer

LED Type | e36/8WLED/2.7K
e22/8WLED/3K
e23/8WLED/4K
e27/9WLED/Amber
See page 381-384 for Lamp Data Information

Optics | NSP/Narrow Spot (14°)
SP/Spot (18°)
MFL/Medium Flood (25°)
WFL/Wide Flood (36°)

**Adjust-e-Lume™
Output Intensity** | A9 (Standard), A8, A7, A6, A5, A4, A3, A2, A1
Requires Select-a-Lume™ functionality to determine output intensity
(Choose factory setting)

Finish | See pages 406-407 for Finish choices

Lens Type | 12/Soft Focus Lens
13/Rectilinear Lens

Shielding* | 11/Honeycomb Baffle

Cap Style | A/45° D/45° (less weephole)
B/90° E/90° (less weephole)

Option | 360SL/360SL™ Rotational Knuckle Mounting System

DENALI SERIES™ DS

Series | DE/Denali Series™

Source | LED™ Module with Cold Phosphor Technology **111**

LED Type | x30/18WLED/2.7K x33/29WLED/2.7K
x31/18WLED/3K x34/29WLED/3K
x32/18WLED/4K x35/29WLED/4K
See page 386 for Lamp Data Information

Optics | SP/Spot (20°)
FL/Flood (60°)
WFL/Wide Flood (60°)

Finish | See pages 406-407 for Finish choices

Lens Type* | 9/Clear (Standard) 12/Soft Focus Lens
10/Spread Lens 13/Rectilinear Lens

Shielding* | 11/Honeycomb Baffle
*Accommodates up to 2 Lense/Shielding media

Cap Style | A/45° D/45° (less weephole)
B/90° E/90° (less weephole)
C/Flush

Driver Housing | Requires Remote Driver
See pages 375-377 for Driver choices

DELTA STAR™ DS

Material | Aluminum
B/Brass

Series | DS/Delta Star™

Source | MR/MR16 Halogen **ICCO**

Lamp Type | See page 387 for MR16 Halogen Lamp choices

Finish | See pages 406-407 for Finish choices

Lens Type* | 9/Clear Lens (Standard) 12/Soft Focus Lens
10/Spread Lens 13/Rectilinear Lens

Shielding* | 11/Honeycomb Baffle
*Accommodates up to 2 Lense/Shielding media

Cap Style | A/45° D/45° (less weephole)
B/90° E/90° (less weephole)

Option | 360SL/360SL™ Rotational Knuckle Mounting System

EVEREST SERIES™ EV

Series | EV/Everest Series™ **111**

Lamp Type | See page 396 for PAR20 Metal Halide Lamp choices

Finish | See pages 406-407 for Finish choices

Lens Type* | 9/Clear Lens (Standard) 12/Soft Focus Lens
10/Spread Lens 13/Rectilinear Lens

Shielding* | 11/Honeycomb Baffle
*Accommodates up to 2 Lense/Shielding media

Cap Style | A/45° D/45° (less weephole)
B/90° E/90° (less weephole)
C/Flush

Ballast Housing | Requires Remote Ballast
See pages 371-374 for Ballast choices

Ordering Logic
Product ordering logic is referenced in the Technical Information section.

Remote Housing
Additional driver, ballast or transformer information pertinent to fixture selection.

Source/Lamp Type
Source and lamp options along with additional information.

B-K LIGHTING | TECHNICAL INFORMATION

Visit www.bklighting.com for complete specification details.



303

BEING GREEN | SHOULD NOT BE PUZZLING

HOW CAN A LIGHT FIXTURE CHANGE THE WORLD?

B-K Lighting is working hard to preserve our planet while enhancing our visual environment. Almost thirty years ago, we made it our mission to offer high quality, innovative products in a manner consistent with this sustainable business philosophy.



*Proudly
Made in
the USA*

Today, we are proud that every product we manufacture is hand-crafted in the USA. Our fixtures are made in California from recycled and renewable materials. Our manufacturing process is environmentally sustainable, resulting in RoHS compliant, energy-efficient, robust lighting products that can be used in any environment. While our fixtures are designed for long life and easy maintenance, we expect them back at end-of-life to ensure they are recycled.

POWERED BY THE SUN

Over 1300 photovoltaic panels transform our rooftop into a state-of-the-art power plant, helping to reduce our carbon emissions by over 600,000 lbs (CO₂) since the system was activated. Producing more than 200kW of electricity, our solar energy system makes B-K Lighting the first industry manufacturer to build our products and run our business using on site alternative energy.



*Our neighbor,
the orange grove.*

WHAT YOU **GS** CAN DO

CHANGE

We've used the same lamp sources for decades. Most lack the efficiency to cope with today's increasing energy demands. Millions of installed products need to be replaced to keep pace with evolving energy requirements while still providing quality lighting. Fortunately, efficiency and sustainability are powerful tools in the hands of today's design professional.



EFFICACY DIVIDEND

Replace any installed landscape or architectural luminaire with an equivalent B-K Lighting fixture using BKSSL® technology and we will provide a manufacturing rebate to help offset the cost. That'll teach halogen a lesson!

RECYCLING REBATE

All products have an operational lifetime – even ours. When an existing fixture reaches end-of-life it should be recycled. It's easy. Return it to us and replace it with an equivalent product using BKSSL® technology, and we will discount the new order. For details on these programs, visit www.bklighting.com/greensource



SOLVE THE PUZZLE

Built with BKSSL® technology, these solid-state lighting products are the manifestation of our desire to transform the way we live with light. They are classy, functional, economical tools in the hands of today's design professional — but without our mutual commitment to help solve the green puzzle, they would just be another light fixture.



Modern, sleek and cutting edge technologies like BKSSL®'s Power of 'e', Power of 'X' and color tunable floodlights provide the lighting industry unparalleled precision, control and longevity within elegant and minimalistic form factors. Let our luminaires become the inspiring prose of your night story.





FLOOD | lights

DENALI SERIES™

DE



MATERIAL



FOR USE WITH



Power Supplies



Options



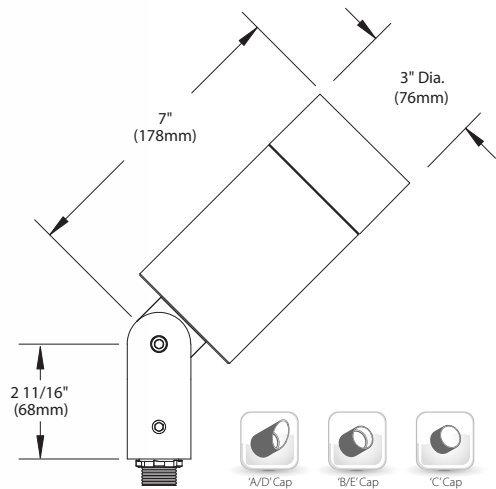
Mounting

"It's just such a satisfying feeling holding a B-K fixture in your hand – the quality emanates both visually and in tactile form, but moreover its competence and sense of purpose are evident as well. Denali embodies all of what so many B-K fixtures do – compact effectiveness wrapped up in clean, confidence-inspiring, form-follows-function design. Really a go-to fixture for me."

Adam Kibbe, Collaborative Lighting, BKU Fall 2008



Shown with 'C' Cap
in Bronze Wrinkle (BZW) finish



DENALI SERIES™ | DE POWER SUPPLIES

INTEGRAL WITH FIXTURE

REMOTE FROM FIXTURE



DE-PC | **Power Canopy System™**
(Specify Denali Series™ Fixture Separately)



DE-HP2 | **In-Grade (Flush)**
(Specify Denali Series™ Fixture Separately)



DE-TMB | **Tenon Box Mount™**
(Specify Denali Series™ Fixture Separately)



DE-PM2 | **Universal Power Module™ 2**
(Specify Denali Series™ Fixture Separately)



DE-PM2D | **Universal Power Module™ 2 Dual**
(Specify Denali Series™ Fixtures Separately)



DE-PPII | **Power Pipe II™ System**
(Specify Denali Series™ Fixture Separately)



RM | **Remote Driver Housing**
(Specify Denali Series™ Fixture Separately)



DRM | **Remote Driver Housing Dual**
(Specify Denali Series™ Fixtures Separately)



HP2RM | **Remote In-Grade (Flush)**
(Specify Denali Series™ Fixture Separately)



PM2RM | **Universal Power Module™ 2 Remote**
(Specify Denali Series™ Fixture Separately)



PM2DRM | **Universal Power Module™ 2 Dual Remote**
(Specify Denali Series™ Fixtures Separately)

INTEGRAL ARTISTAR™

AR-TR



MATERIAL*



FOR USE WITH

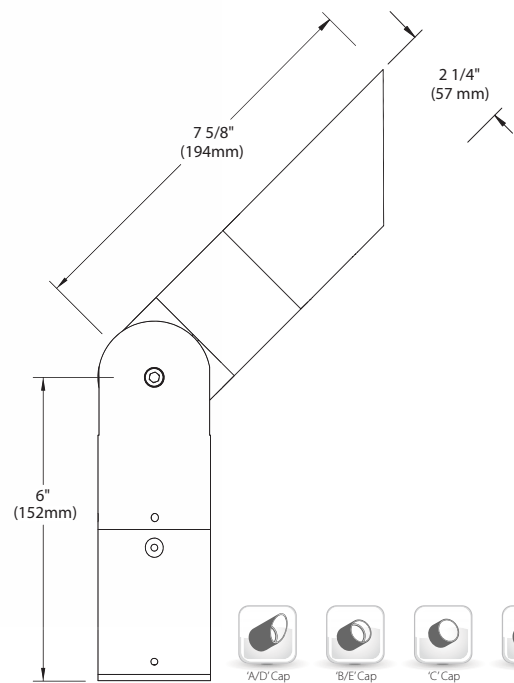


"The Integral Artistar™ is a great fixture because you don't have to fuss about with a transformer; it's built right into the fixture's 6" base. Installation is quick and straightforward with 120V or 277V primary voltage. It tucks up nicely in rafters, next to beams but is also great between foliage and bushes for a seamless and pretty much invisible install."

Susan Huey Oster, LIT, Inc., BKU Fall 2002



Shown with 'A' Cap
in Polished Stainless Steel (POL) finish





AR-RM

REMOTE ARTISTAR™

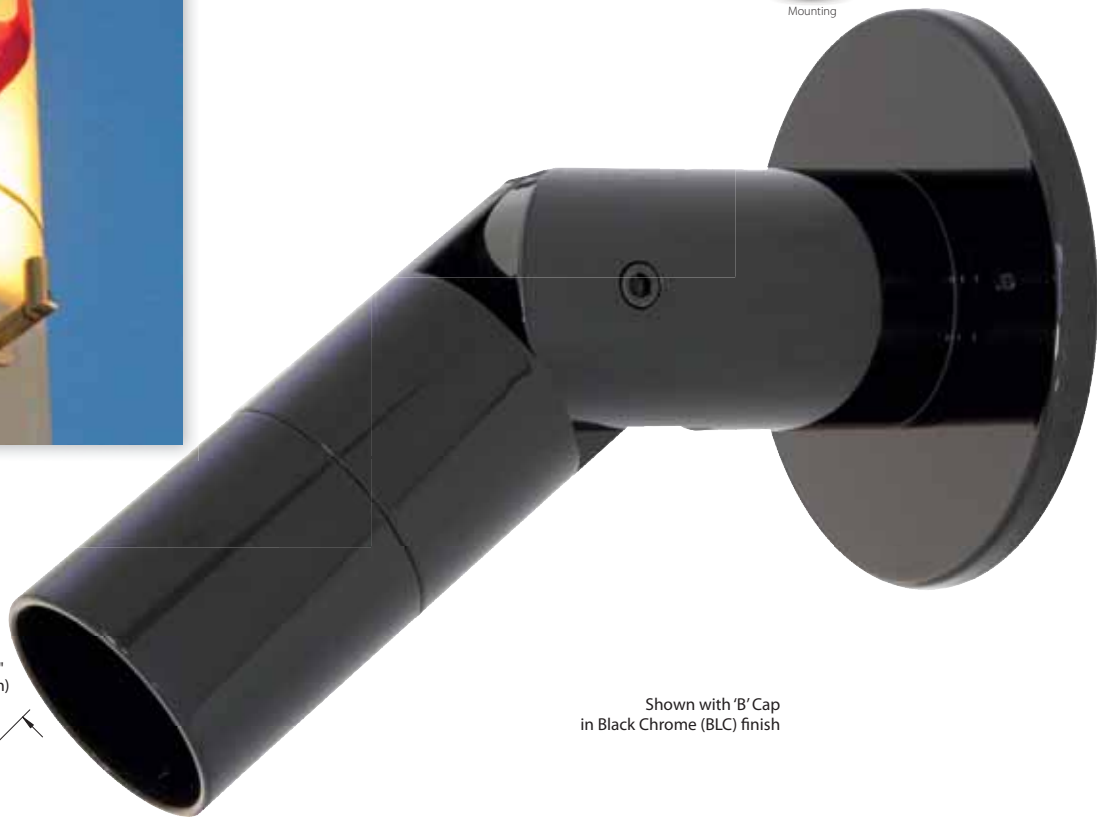
"This product is packed with features; it can be completely rotated and aimed along two axes, is durable and most importantly, consistent in terms of CCT and dependability. The Artistar™ is a typical example how B-K's fixtures don't compete with a lighting designer rather they give us the ability to maximize our craft. Because the wire-way is water-proof and the lamp compartment is completely sealed, we can confidently specify the AR as both an up light, as well as a wall mount, or tree mount accent. Though there is a low voltage halogen option, I personally love the flexibility of the Power of 'e' solid state Adjust-e-lume® LED."

Bill Blue, Berkey Supply, Inc., BKU Fall 2012

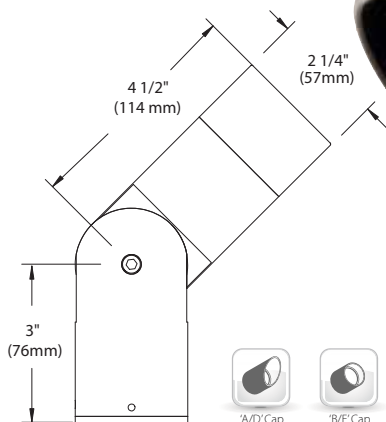
MATERIAL*



FOR USE WITH



Shown with 'B' Cap in Black Chrome (BLC) finish



*Artistar with MR16 Halogen, ES16 Metal Halide and GU10 Line Voltage sources are only available in aluminum and brass. See pages 300-302 for Catalog ordering information.

INTEGRAL ARTISTAR™ AR-TR



MATERIAL*



FOR USE WITH



Options



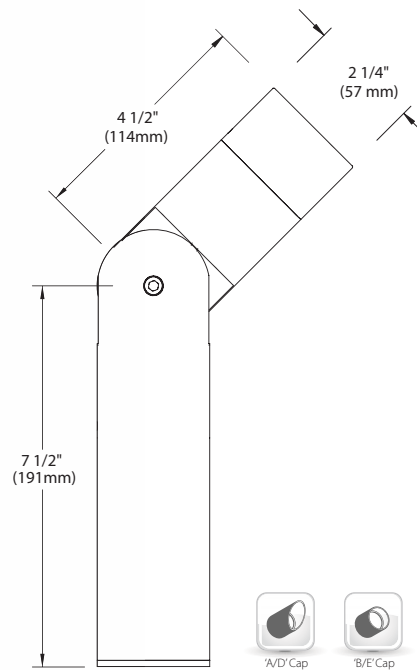
Mounting

"The ArtiStar™ is a well crafted, beautifully designed and integrated outdoor lighting fixture. It's features are clearly developed with a discerning lighting designer in mind. It allows site refinements to a lighting composition, often adding a sense of quality to the scene. We specify ArtiStar™ with the same confidence we have in B-K Lighting's product quality, reliability and innovation."

Luis Rocha, Lightstudio Inc., BKU Fall 2012



Shown with 'B' Cap
in Clear Anodized Powder (CAP) finish





m² MINI-MICRO™ FLOODLIGHT

MM



MATERIAL



FOR USE WITH



Power Supplies



Options



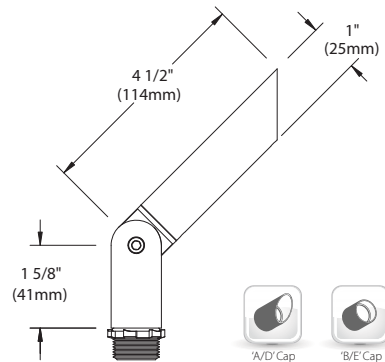
Mounting

"The mini micro is a perfect fixture; you can get it close as possible to your subject without revealing the fixture. Clients want to see the effects and nothing else. B-K Products have been always been easiest and simplest to use."

Steve Cate, Aurum Consulting Engineers, BKU Spring 2005



Shown with 'A' Cap and optional 360SL™ Knuckle in Verde (VER) finish





MN

MICRO NITE STAR™

"I love this fixture because it is diminutive in size but the lighting effects it can create are huge. In a nighttime environment, balanced lighting is key. This luminaire allows us to utilize just the right illumination for desired effects and its size allows for discreet use at intimate locations."

Rick McGee, Hilbish McGee Lighting Design, BKU Fall 2002



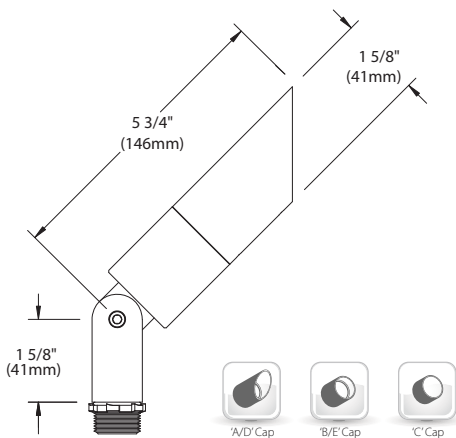
MATERIAL



FOR USE WITH



Shown with 'A' Cap and optional 360SL™ Knuckle in Black Satin (BLP) finish



See page 305 for Catalog ordering information.

NITE STAR™ NS



MATERIAL*



FOR USE WITH



Power Supplies



Options



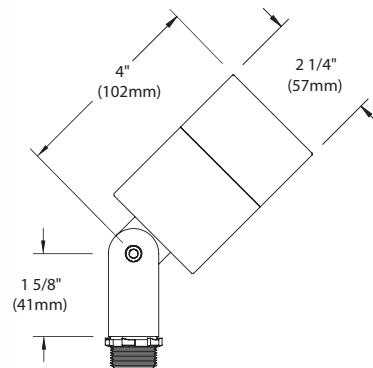
Mounting

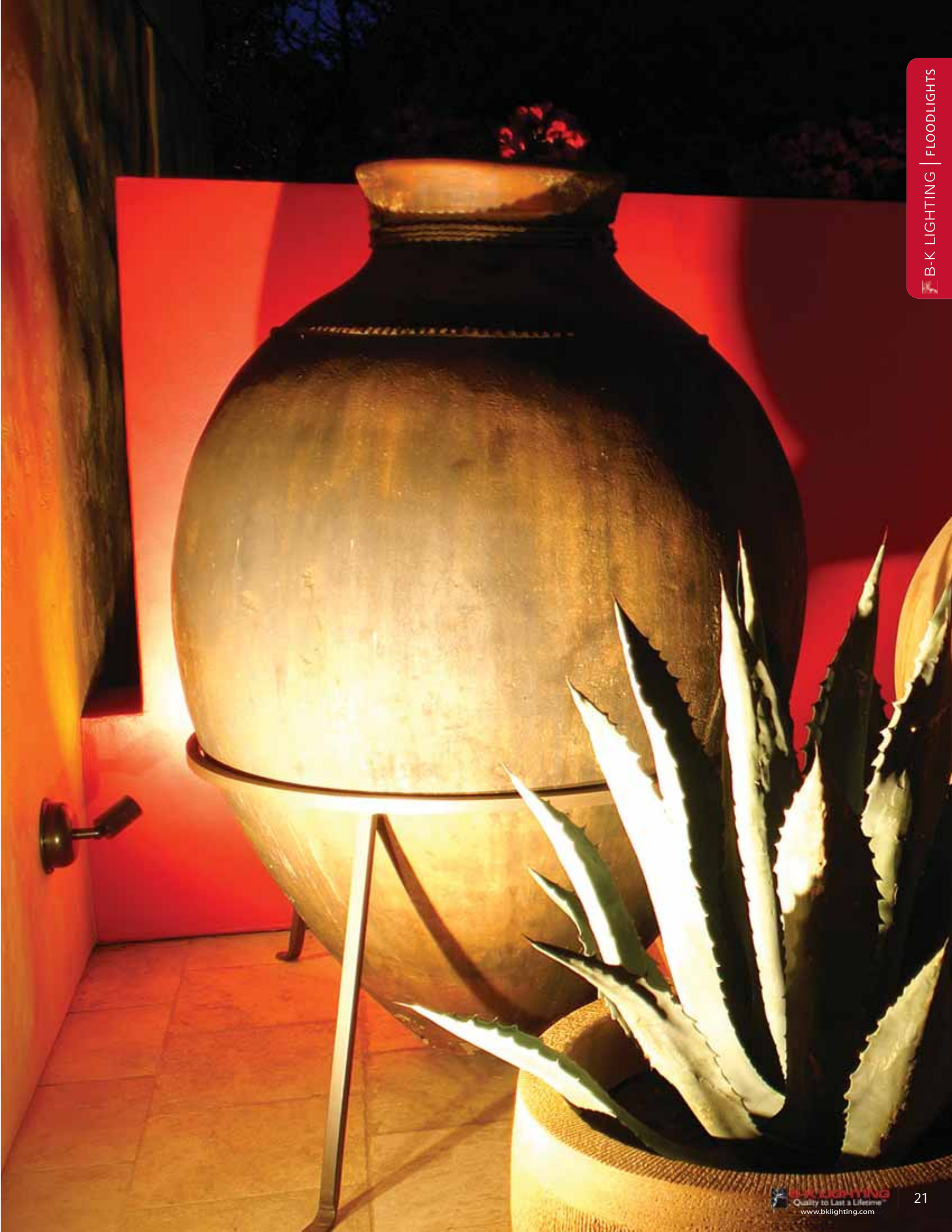
"I love this fixture because...it's so many fixtures in one. The solid housing with the weatherproof lens. Clean simple lines...the best part is, if the application changes where you specified the product, or if you made a mistake (which we all do time to time) you can swap out the optics or turn up/down on the 'adjust-e-lume®' to get the lighting you need. My quote is "Nite Star™, So Bright what do you want to light up tonight!"

Craig Barnhart, H. F. Lenz Company, BKU Fall 2012



Shown in
Machined Stainless Steel (MAC) finish









DS

DELTA STAR™

"I love this fixture because...it gives me maximum flexibility! I can dim to get to the exact light balance on a project (sometimes I want a brighter background, other times I want a dimmer background). The ability to dim allows me to compose the scene like a painting, from on the ground instead of up in a tree. The interchangeable optics are another great feature, in case I get caught out, or when the plant material grows and I need a more open beam."

Linda Lees, Lightstudio Inc., BKU Fall 2012

MATERIAL*



FOR USE WITH



Power Supplies



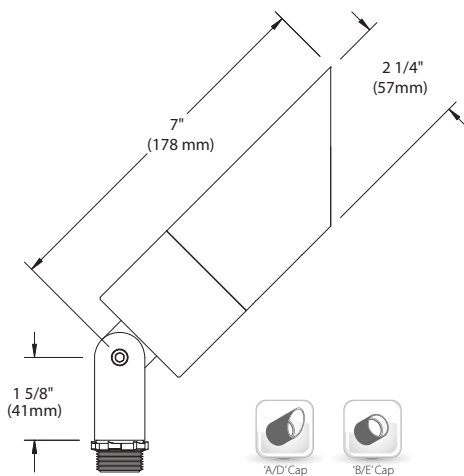
Options



Mounting



Shown with 'A' Cap
in Black Wrinkle (BLW) finish



*Delta Star with MR16 Halogen source is only available in aluminum and brass. See page 303 for Catalog ordering information.

m² MINI-MICRO™ RING MOUNT™

RM-MM



MATERIAL



FOR USE WITH



Power Supplies



Options



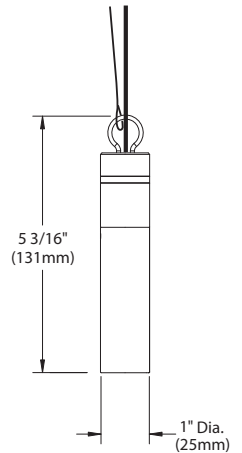
Mounting

“When you specify exterior lighting instruments, you are not only buying performance but also longevity. B-K offers both high performance and long fixture life. The best design insurance is a quality fixture. Go B-K!”

Scott Oldner, Scott Oldner Lighting Design, BKU Fall 2004



Shown with 'E' Cap
in Black Satin (BLP) finish



'D' Cap



'E' Cap



'C' Cap



RM-MN

MICRO NITE STAR™ RING MOUNT

"B-K WORKS! B-K Lighting works the way a manufacture is supposed to work. They put out a great product and on the rare occasion something goes wrong, they take responsibility. They run their business the way all manufactures should run their business, but few do."

Jay Krueger, Specified Lighting & Design, BKU Spring 2002

MATERIAL



FOR USE WITH



Power Supplies



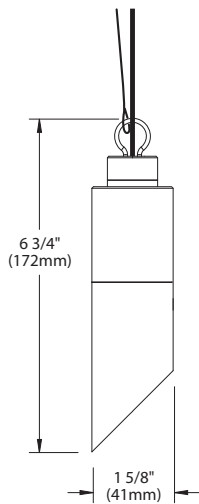
Options



Mounting



Shown with 'D' Cap
in Bronze Satin (BZP) finish



'D' Cap

'E' Cap

'C' Cap





RM-AR

ARTISTAR™ RING MOUNT

"The ArtiStar™ Ring Mount solves so many problems when you need light and there is no place, including a branch large enough for a mounting canopy. We use it all the time to softly wash garden beds under small trees; to light perennials at the edge of a lawn and provide spill onto the lawn tying two areas together visually; in tree canopies over stairs, walkways, even cliffs filled with plants by the ocean. We have used retrofit LED lamps in existing fixtures and now specify the integral module solid state adjust-e-lume® to get just the right output and beam spread. It is a critical fixture in the palette for all projects."

Janet Lennox Moyer, Jan Moyer Design, BKU Fall 2002

MATERIAL*



FOR USE WITH



Power Supplies



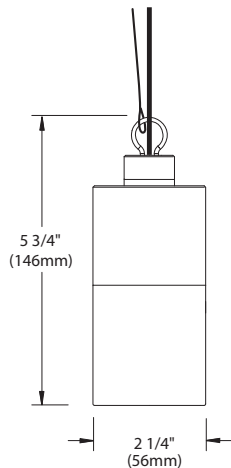
Options



Mounting



Shown with 'E' Cap
in Black Wrinkle (BLW) finish



*Ring Mount Delta Star with MR16 Halogen source is only available in aluminum and brass. See page 308 for Catalog ordering information.

NITE STAR II™

NSII



MATERIAL*



FOR USE WITH



Power Supplies



Options



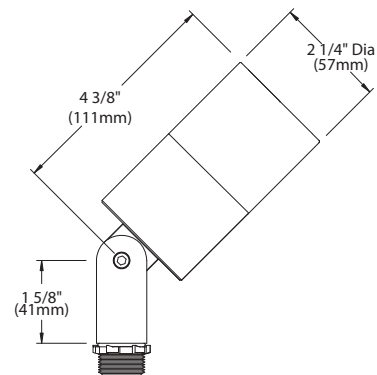
Mounting

"I love this fixture because... of its versatility. We use it often as an outdoor architectural fixture to accent pathways in areas where a recessed product will not work or is too extreme for it to be effective. The 1" setback combined with a hex louvre keeps glare away from the eyes and when coupled with the 360SL™ knuckle aiming is a piece of cake."

Jarron Pew, HELIUS Lighting Group, BKU Spring 2006



Shown with optional 360SL™ knuckle in Bronze Satin (BZP) finish





MR16 Halogen

RA

RAINIER SERIES™

“Being a fan of integral transformers and robust floods, I prefer the Rainier Series™. I can drop a relatively high wattage lamp in it and not have to worry about heat buildup or impractical serrated teeth that predetermine my light plan. The cap is huge too, running almost the full length of the fixture, so lamp service is practically effortless.”

Kris Olsen, Chapman University Campus Planning

MATERIAL



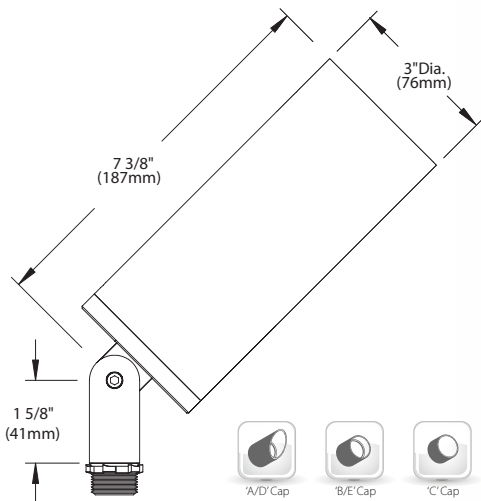
FOR USE WITH



Options



Mounting



Shown with 'B' Cap in Black Wrinkle (BLW) finish

SARATOGA SERIES™



MATERIAL



FOR USE WITH



Power Supplies



Options



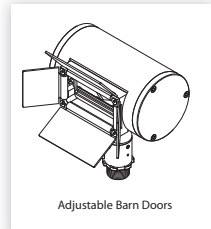
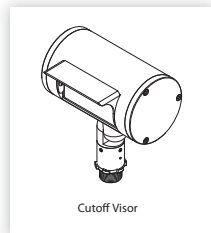
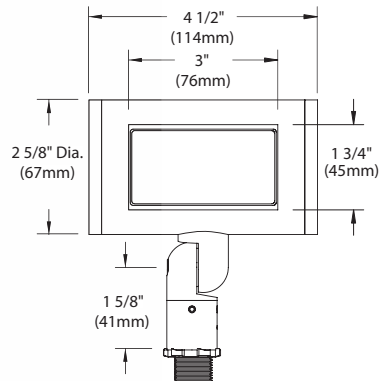
Mounting

"I won't recommend a fixture that can't live up to the owner's expectations. When it comes to exterior lighting, which takes quite a beating here in Texas, I first turn to B-K Lighting."

Jared Gunlock, Bos Lighting Design, BKU Fall 2013



Shown with optional Cutoff Visor and optional 360SL™ Knuckle in Bronze Satin (BZP) finish



SARATOGA SERIES™ | SA POWER SUPPLIES

INTEGRAL WITH FIXTURE

REMOTE FROM FIXTURE



SA-PC

Power Canopy System™
(Specify Saratoga Series™ Fixture Separately)



SA-HP2

In-Grade (Flush)
(Specify Saratoga Series™ Fixture Separately)



SA-TMB

Tenon Box Mount™
(Specify Saratoga Series™ Fixture Separately)



SA-PM2

Universal Power Module™ 2
(Specify Saratoga Series™ Fixture Separately)



SA-PM2D

Universal Power Module™ 2 Dual
(Specify Saratoga Series™ Fixture Separately)



SA-PPII

Power Pipe II™ System
(Specify Saratoga Series™ Fixture Separately)



RM

Remote Ballast Housing
(Specify Saratoga Series™ Fixture Separately)



DRM

Remote Ballast Housing Dual
(Specify Saratoga Series™ Fixture Separately)



HP2RM

Remote In-Grade (Flush)
(Specify Saratoga Series™ Fixture Separately)



PM2RM

Universal Power Module™ 2 Remote
(Specify Saratoga Series™ Fixture Separately)



PM2DRM

Universal Power Module™ 2 Dual Remote
(Specify Saratoga Series™ Fixture Separately)

RUSHMORE SERIES™

RU



MATERIAL



FOR USE WITH



Power Supplies



Options



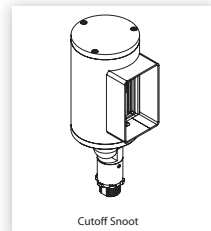
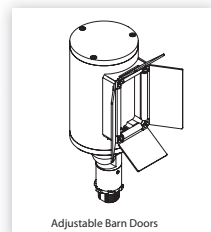
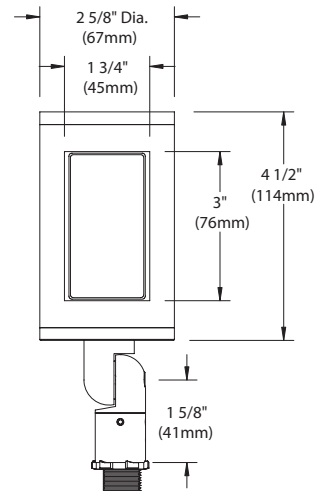
Mounting

"B-K Lighting was created to fill a need in the lighting market. They have since more than filled that need, with quality, consciously-driven luminaires engineered to utilize the most effective sources. Their company-wide commitment to every unique project requirement puts them in the leading role for solving tough illumination situations and leading the way with aesthetic product. I really enjoy working with the custom team, as they have the answers! I also respect their attention to the finite resources of our planet and their particular quality and attention to products for the human environment."

Kath Beacher, Illuminations Inc., BKU Fall 2006



Shown in Black Wrinkle (BLW) finish



RUSHMORE SERIES™ | POWER SUPPLIES

INTEGRAL WITH FIXTURE

REMOTE FROM FIXTURE



RU-PC | **Power Canopy System™**
(Specify Rushmore Series™ Fixture Separately)



RU-HP2 | **In-Grade (Flush)**
(Specify Rushmore Series™ Fixture Separately)



RU-TMB | **Tenon Box Mount™**
(Specify Rushmore Series™ Fixture Separately)



RU-PM2 | **Universal Power Module™ 2**
(Specify Rushmore Series™ Fixture Separately)



RU-PM2D | **Universal Power Module™ 2 Dual**
(Specify Rushmore Series™ Fixture Separately)



RU-PPII | **Power Pipe II™ System**
(Specify Rushmore Series™ Fixture Separately)



RM | **Remote Ballast Housing**
*For use with Metal Halide Lamps only
(Specify Rushmore Series™ Fixture Separately)*



DRM | **Remote Ballast Housing Dual**
*For use with Metal Halide Lamps only
(Specify Rushmore Series™ Fixture Separately)*



HP2RM | **Remote In-Grade (Flush)**
(Specify Rushmore Series™ Fixture Separately)



PM2RM | **Universal Power Module™ 2 Remote**
(Specify Rushmore Series™ Fixture Separately)



PM2RM | **Universal Power Module™ 2 Dual Remote**
(Specify Rushmore Series™ Fixture Separately)

SHASTA SERIES™



MATERIAL



FOR USE WITH



Power Supplies



Options



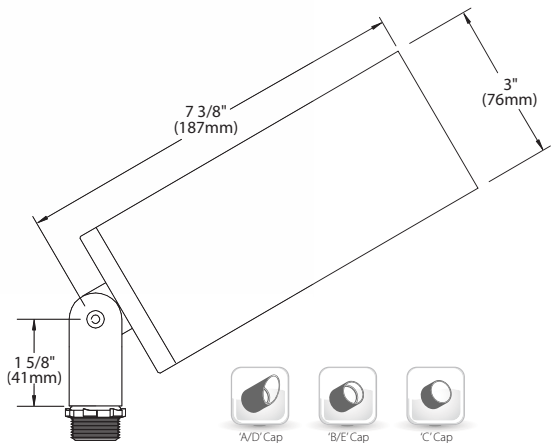
Mounting

"As lighting technology changes we know B-K Lighting will continue to be there to support us and our customers."

Lukas J. Sturm, Lumen Studio, Inc., BKU Fall 2013



Shown with 'B' Cap with optional 360SL™ Knuckle in White Wrinkle (WHW) finish





PAR30 Halogen

LA

LASSEN SERIES™

"Doing anything exceptionally well requires commitment, passion and perseverance. The results of such efforts are those things that enjoy high regard and stand the test of time. That is what comes to mind when I use B-K Lighting. They are my delivery systems, my paint brushes."

Ivan Hawtof, Hawtof Associates, BKU Spring 2003

MATERIAL



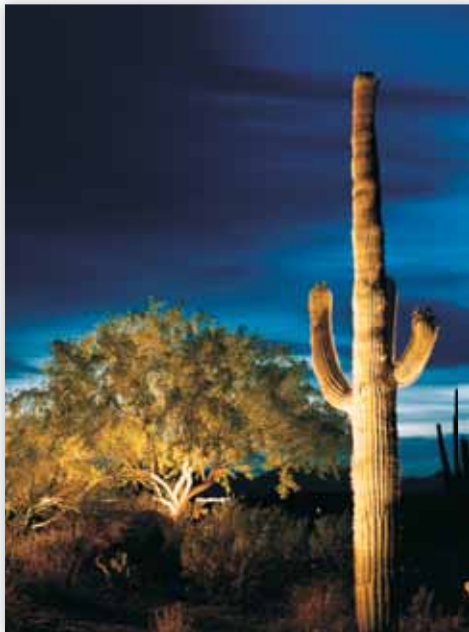
FOR USE WITH



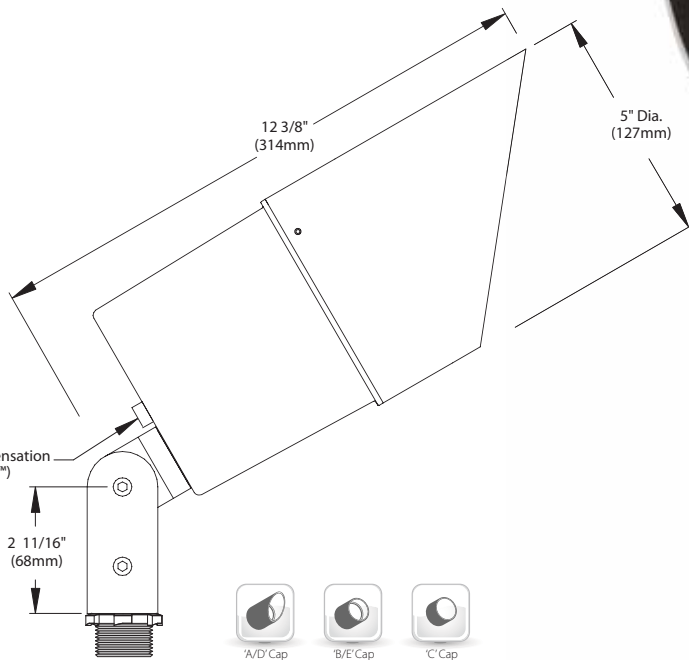
Options



Mounting



Shown with 'A' Cap
in Bronze Satin (BZP) finish



See page 305 for Catalog ordering information.

ALPS SERIES™



MATERIAL



FOR USE WITH



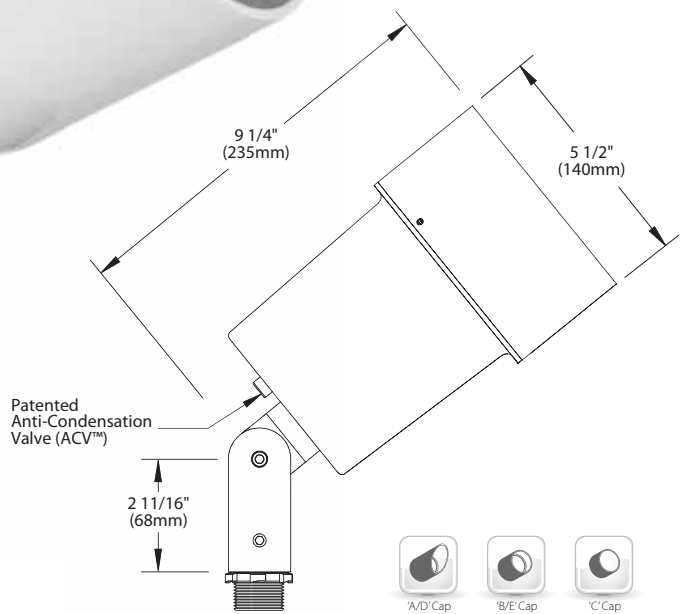
Options



Mounting

"If you're lucky enough to attend BKU with hands on experience in going through the manufacturing process of a B-K floodlight, you appreciate how much innovation, precision and quality goes into creating a fixture from a solid machined billet with impeccable finish. Every floodlight in the category is carefully constructed with the same requirements offering the flexibility of full range adjustability in tilt and pan along with different available optics and accessories that provide lighting designers a powerful tool to achieve their design intent. It really depends on the unique lighting vision of each project that determines my choice of floodlights to accommodate the lighting solutions but I always count on B-K Lighting for the best product."

Jackie Hui, Stanford Hotels, BKU Summer 2010



Shown with 'B' Cap in White Satin (WHP) finish



PAR20 Halogen

MC

McKINLEY SERIES™

"McKinley is a workhorse fixture for safety and security issues since the lamp is shielded and it has a great distribution. I have used it on projects for many years, whenever I need a fixture that can cover a larger area and stay quiet at the same time."

Janet Lennox Moyer, Jan Moyer Design, BKU Fall 2002

MATERIAL



FOR USE WITH



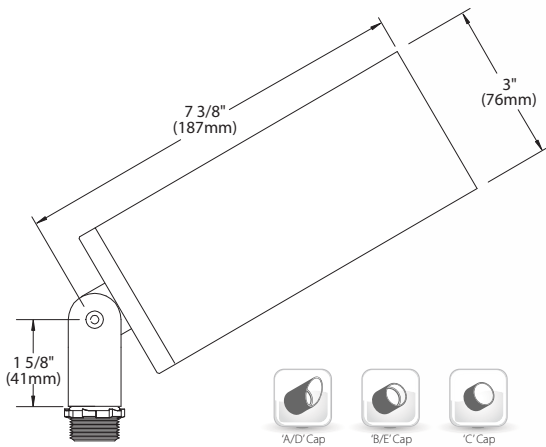
Options



Mounting



Shown with 'B' Cap
in Satin Aluminum (SAP) finish



YOSEMITE SERIES™



MATERIAL



FOR USE WITH



Power Supplies



Options



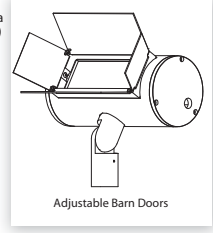
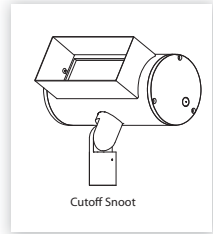
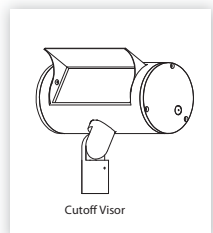
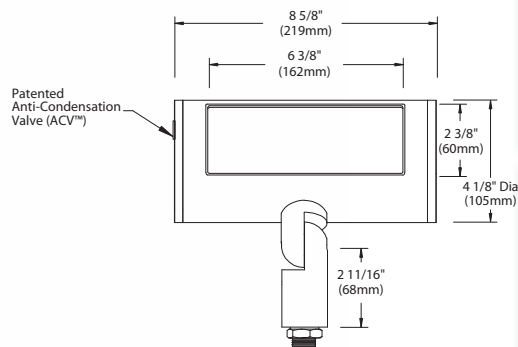
Mounting

“Shaping the beam of light was necessary to minimize stray uplight and provide high illuminance for the engraved wood elements. The Yosemite Series™ was selected because of its large lens area and having a point source of light. A custom internal lens achieved the results.”

Joseph Scott, Tripped on Light Design Inc., BKU Fall 2005



Shown in Bronze Satin (BZP) finish



YOSEMITE SERIES™ | POWER SUPPLIES

INTEGRAL WITH FIXTURE

REMOTE FROM FIXTURE



YO-PC

Power Canopy System™
(Specify Yosemite Series™ Fixture Separately)



YO-HP2

In-Grade (Flush)
(Specify Yosemite Series™ Fixture Separately)



YO-TMB

Tenon Box Mount™
(Specify Yosemite Series™ Fixture Separately)



YO-PM3

Universal Power Module™ 3
(Specify Yosemite Series™ Fixture Separately)



YO-PM3D

Universal Power Module™ 3 Dual
(Specify Yosemite Series™ Fixtures Separately)



YO-PPII

Power Pipe II™ System
(Specify Yosemite Series™ Fixture Separately)



RM

Remote Ballast Housing
(Specify Yosemite Series™ Fixture Separately)



DRM

Remote Ballast Housing Dual
(Specify Yosemite Series™ Fixtures Separately)



HP2RM

Remote In-Grade (Flush)
(Specify Yosemite Series™ Fixture Separately)



PM3RM

Universal Power Module™ 3 Remote
(Specify Yosemite Series™ Fixture Separately)



PM3DRM

Universal Power Module™ 3 Dual Remote
(Specify Yosemite Series™ Fixtures Separately)

SEQUOIA SERIES™



MATERIAL



FOR USE WITH



Power Supplies



Options



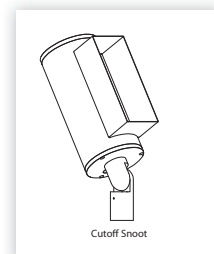
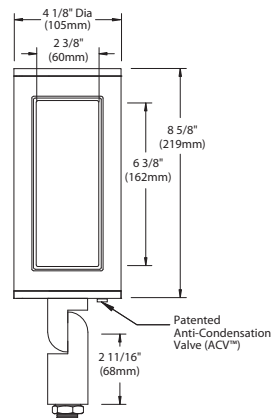
Mounting

"I learned long ago that specifying a lighting product is not the best solution for a project, specifying a company is. B-K Lighting, who's philosophy is not limited to listening to the needs of the design community but the installing contracting community, as well, has created products that perform exceptionally well, use cutting edge technology, installed efficiently, can be commissioned easily and last for years. When a company brings all these aspects together and supports their product throughout the entire process of design and construction, that is the kind of product and company that is good for my projects. B-K Lighting is that company."

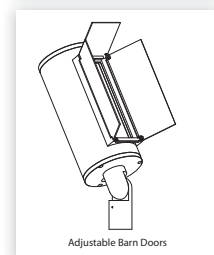
Ira Rothman, omnillite, BKU Fall 2011



Shown in Black Satin (BLP) finish



Cutoff Snoot



Adjustable Barn Doors

SEQUOIA SERIES™ | SU POWER SUPPLIES

INTEGRAL WITH FIXTURE

REMOTE FROM FIXTURE



SU-PC | **Power Canopy System™**
(Specify Sequoia Series™ Fixture Separately)



SU-HP2 | **In-Grade (Flush)**
(Specify Sequoia Series™ Fixture Separately)



SU-TMB | **Tenon Box Mount™**
(Specify Sequoia Series™ Fixture Separately)



SU-PM3 | **Universal Power Module™ 3**
(Specify Sequoia Series™ Fixture Separately)



SU-PM3D | **Universal Power Module™ 3 Dual**
(Specify Sequoia Series™ Fixtures Separately)



SU-PPII | **Power Pipe II™ System**
(Specify Sequoia Series™ Fixture Separately)



RM | **Remote Ballast Housing**
(Specify Sequoia Series™ Fixture Separately)



DRM | **Remote Ballast Housing Dual**
(Specify Sequoia Series™ Fixtures Separately)



HP2RM | **Remote In-Grade (Flush)**
(Specify Sequoia Series™ Fixture Separately)



PM3RM | **Universal Power Module™ 3 Remote**
(Specify Sequoia Series™ Fixture Separately)



PM3DRM | **Universal Power Module™ 3 Dual Remote**
(Specify Sequoia Series™ Fixtures Separately)

EVEREST SERIES™

EV



MATERIAL



FOR USE WITH



Power Supplies



Options

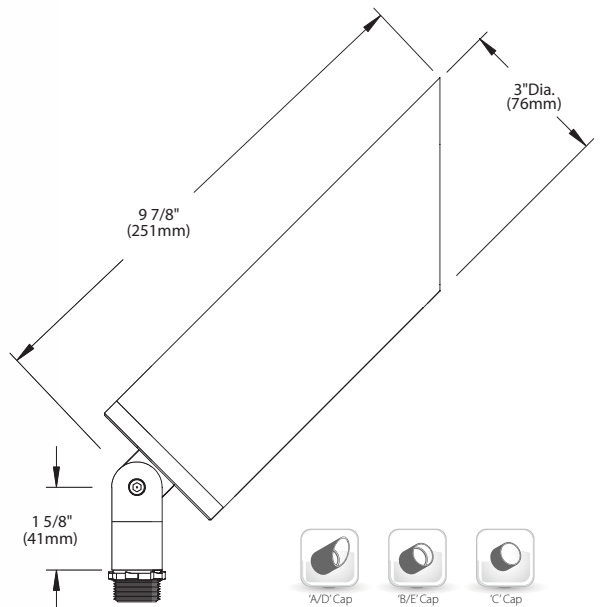


Mounting

"The Texas Live Oak is an amazing tree and a staple of the Lone Star state's landscape. To bring the trees on our project to life, we chose B-K fixtures with the versatile UPM. The compact size, flexible mounting options, and available accessories gave us the tools to discreetly mount the sources and create a dynamic, artistic lighting solution that brought out the beauty of these majestic trees."

Jered E. Widmer, The Lighting Practice

Shown with 'A' Cap
in Satin Aluminum (SAP) finish



EVEREST SERIES™ | EV POWER SUPPLIES

INTEGRAL WITH FIXTURE

REMOTE FROM FIXTURE



EV-PC | **Power Canopy System™**
(Specify Everest Series™ Fixture Separately)



EV-HP2 | **In-Grade (Flush)**
(Specify Everest Series™ Fixture Separately)



EV-TMB | **Tenon Box Mount™**
(Specify Everest Series™ Fixture Separately)



EV-PM2 | **Universal Power Module™ 2**
(Specify Everest Series™ Fixture Separately)



EV-PM2D | **Universal Power Module™ 2 Dual**
(Specify Everest Series™ Fixtures Separately)



EV-PPII | **Power Pipe II™ System**
(Specify Everest Series™ Fixture Separately)



RM | **Remote Ballast Housing**
(Specify Everest Series™ Fixture Separately)



DRM | **Remote Ballast Housing Dual**
(Specify Everest Series™ Fixtures Separately)



HP2RM | **Remote In-Grade (Flush)**
(Specify Everest Series™ Fixture Separately)



PM2RM | **Universal Power Module™ 2 Remote**
(Specify Everest Series™ Fixture Separately)



PM2DRM | **Universal Power Module™ 2 Dual Remote**
(Specify Everest Series™ Fixtures Separately)

SIERRA SERIES™ SE



MATERIAL



FOR USE WITH



Power Supplies



Options

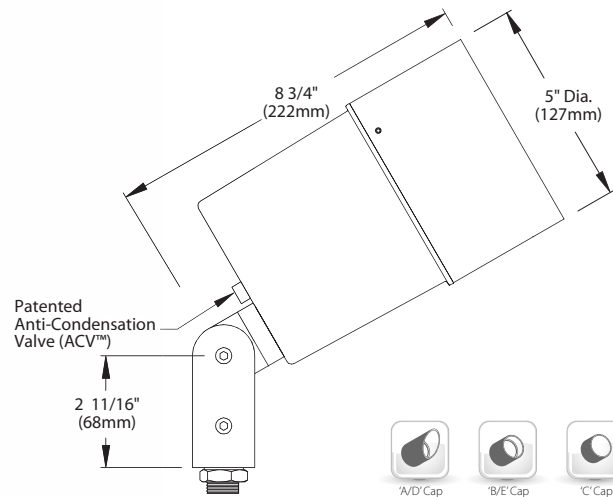


Mounting

"Many manufacturers can make an exterior light fixture that meets the requirements of a single application. The mark of a great lighting manufacturer is being able to adapt to changing conditions in the field or over time, and helping designers adapt to special applications with modified or custom fixtures. These create unique projects that will stand the test of time."

Clifton Manahan, Horton Lees Brogden Lighting Design, BKU Fall 2011

Shown with 'B' Cap in Black Wrinkle (BLW) finish



SIERRA SERIES™ | SE POWER SUPPLIES

INTEGRAL WITH FIXTURE

REMOTE FROM FIXTURE



SE-PC

Power Canopy System™
(Specify Sierra Series™ Fixture Separately)



SE-HP2

In-Grade (Flush)
(Specify Sierra Series™ Fixture Separately)



SE-TMB

Tenon Box Mount™
(Specify Sierra Series™ Fixture Separately)



SE-PM3

Universal Power Module™ 3
(Specify Sierra Series™ Fixture Separately)



SE-PM3D

Universal Power Module™ 3 Dual
(Specify Sierra Series™ Fixtures Separately)



SE-PPII

Power Pipe II™ System
(Specify Sierra Series™ Fixture Separately)



RM

Remote Ballast Housing
(Specify Sierra Series™ Fixture Separately)



DRM

Remote Ballast Housing Dual
(Specify Sierra Series™ Fixtures Separately)



HP2RM

Remote In-Grade (Flush)
(Specify Sierra Series™ Fixture Separately)



PM3RM

Universal Power Module™ 3 Remote
(Specify Sierra Series™ Fixture Separately)



PM3DRM

Universal Power Module™ 3 Dual Remote
(Specify Sierra Series™ Fixtures Separately)

K2 SERIES™

K2



Power of 'X'
(BKSSL*)



Power of 'C'
(BKSSL*)



PAR38 Metal Halide

MATERIAL



FOR USE WITH



Power Supplies



Options

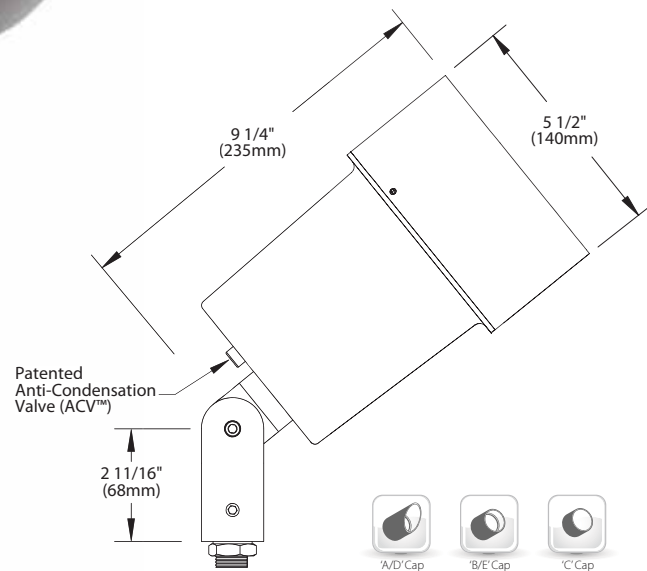


Mounting

"One of the best big lights that B-K offers has to be the K2™. This fixture can light anything you throw it at, from a 60' tall palm tree, to a church steeple or stadium entrance. I was thrilled to hear about the K2's new color tuning ability in the LED version which also happens to be dimmable! Can't forget the metal halide version either, a mainstay of our firm for years."

Ryan Linton, Grenald Waldron Associates, BKU Spring 2012

Shown with 'B' Cap
in Premium RAL7026 finish



K2 SERIES™ | POWER SUPPLIES

INTEGRAL WITH FIXTURE

REMOTE FROM FIXTURE



K2-PC | Power Canopy System™
(Specify K2 Series™ Fixture Separately)



K2-HP2 | In-Grade (Flush)
(Specify K2 Series™ Fixture Separately)



K2-TMB | Tenon Box Mount™
(Specify K2 Series™ Fixture Separately)



K2-PM3 | Universal Power Module™ 3
(Specify K2 Series™ Fixture Separately)



K2-PM3D | Universal Power Module™ 3 Dual
(Specify K2 Series™ Fixtures Separately)



RM | Remote Ballast/Driver Housing
(Specify K2 Series™ Fixture Separately)



DRM | Remote Ballast/Driver Housing Dual
(Specify K2 Series™ Fixtures Separately)



HP2RM | Remote In-Grade (Flush)
(Specify K2 Series™ Fixture Separately)



PM3RM | Universal Power Module™ 3 Remote
(Specify K2 Series™ Fixture Separately)



PM3DRM | Universal Power Module™ 3 Dual Remote
(Specify K2 Series™ Fixtures Separately)

B-K Lighting offers smart sign light designs suitable for every imaginable architectural style. Transform your signage, company identity and building façade with a sophisticated and integrated aesthetic statement sourced with cutting-edge BKSSL® technology or numerous legacy lamp options.





ROCKY MOUNTAIN

SIGN | lights

m² MINI-MICRO™/STYLE A SN-A-MM SIGN STAR™



MATERIAL



FOR USE WITH



Power Supplies



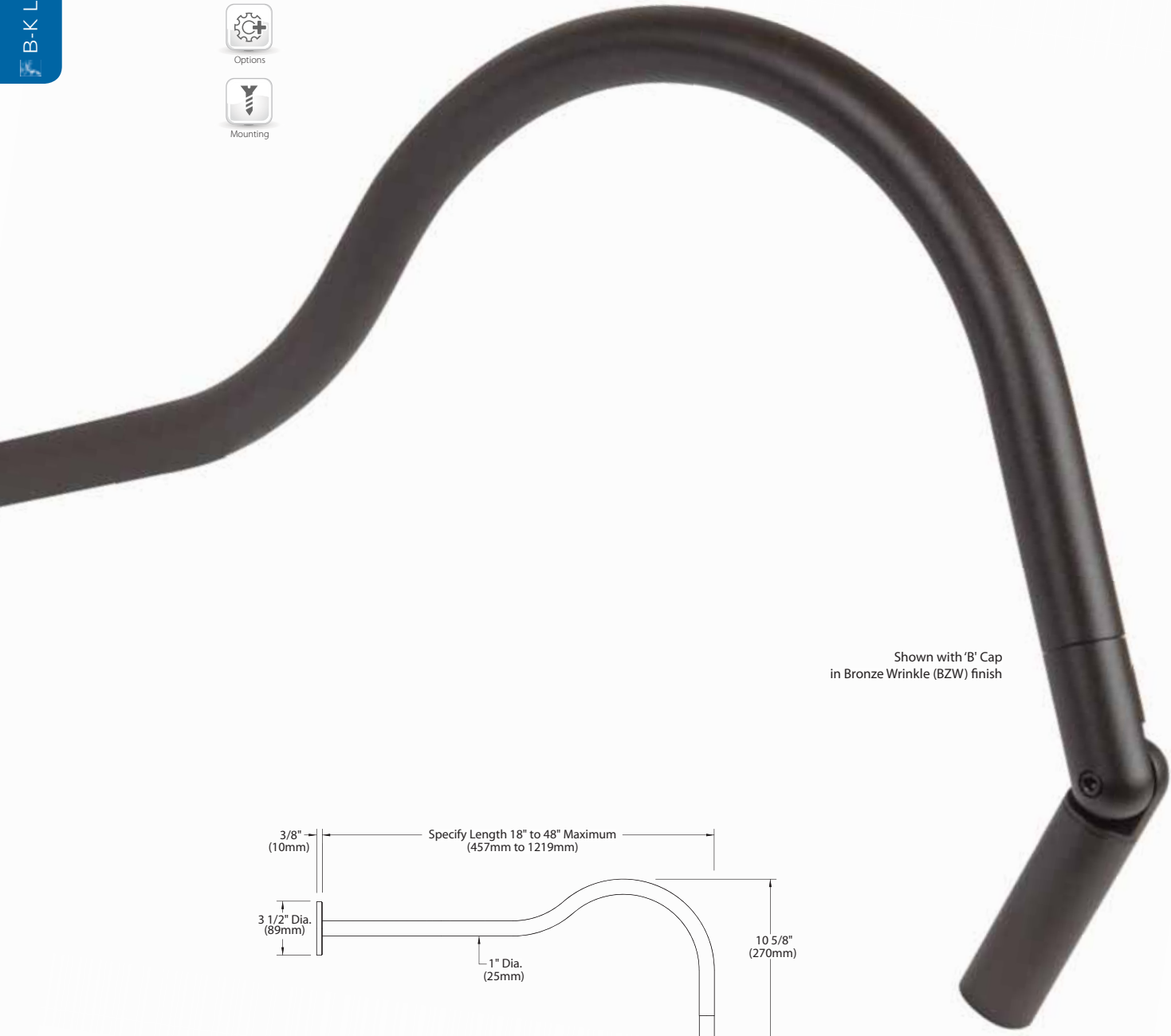
Options



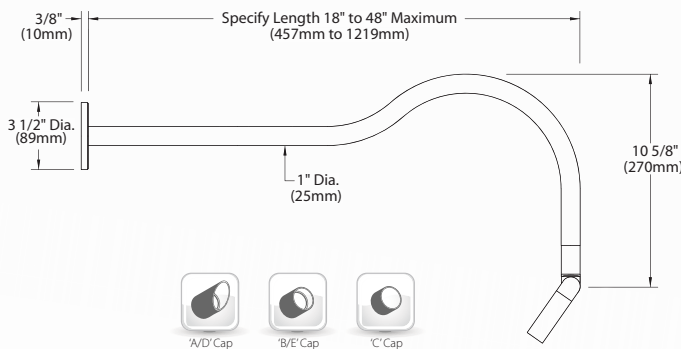
Mounting

"B-K is ridiculously easy to deal with! Technical information, installation instructions, luminaire data in PDF or CAD format: it's all there in one easy to navigate place. And their Dare-to-Compare program is probably the most complete and logical sample program in our industry. Everything about B-K just works."

Jonathan Bredekamp, Associated Lighting Representatives, Inc., BKU Spring 2010



Shown with 'B' Cap
in Bronze Wrinkle (BZW) finish





ST-A-MM

m² MINI-MICRO™/STYLE A TWIN SIGN STAR™

MATERIAL



FOR USE WITH



Power Supplies



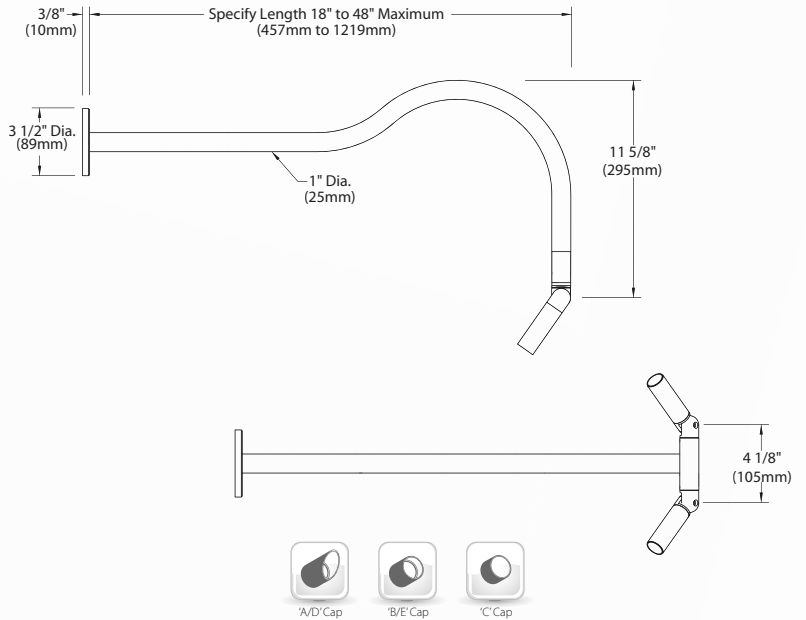
Options



Mounting



Shown with 'A' Caps
in Bronze Wrinkle (BZW) finish



m² MINI-MICRO™/STYLE B SIGN STAR™

SN-B-MM



MATERIAL



FOR USE WITH



Power Supplies



Options



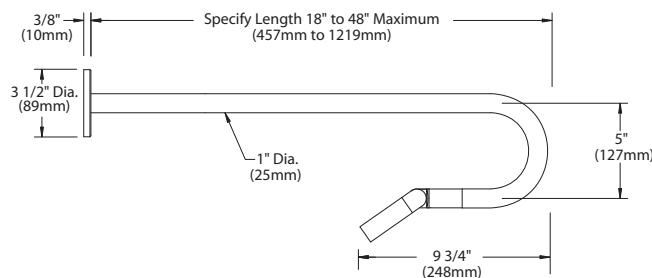
Mounting

“What I love about B-K is that once the order is placed and shipped, I have 100% confidence that the product will be installed and operating correctly. There is no maintenance required on all fronts.”

Dave McDowell, Techlite Corp.



Shown with 'B' Cap
in Bronze Wrinkle (BZW) finish





ST-B-MM

m² MINI-MICRO™/STYLE B TWIN SIGN STAR™

MATERIAL



FOR USE WITH



Power Supplies



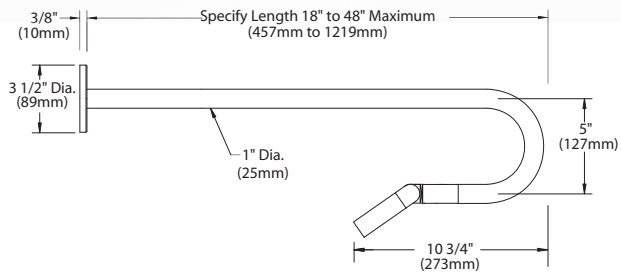
Options



Mounting



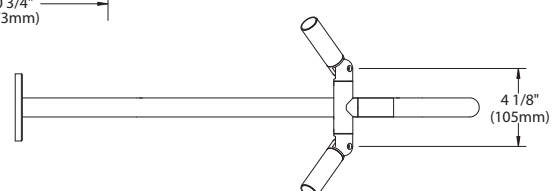
Shown with 'B' Caps
in Bronze Wrinkle (BZW) finish



A/D' Cap

B/E' Cap

C' Cap



m² MINI-MICRO™/STYLE L SIGN STAR™ SN-L-MM



MATERIAL



FOR USE WITH



Power Supplies



Options



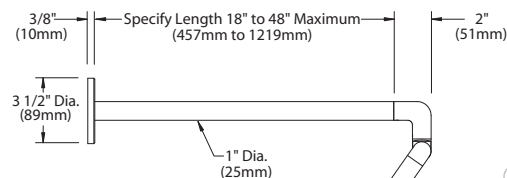
Mounting

“The Mini-Micro™ Sign Star™ is a fabulous little tool that is perfect for smaller scale, pedestrian oriented signs. It’s light weight, high efficacy, various beam spread and cap options make it easy to realize a properly illuminated sign with a luminaire that practically disappears, as it is easily integrated into sign support systems. With B-K’s copper free aluminum construction and scalable LED technology, unparalleled durability comes standard. This is a mini that provides a maxi result.”

Hal Hilbish, Hilbish McGee Lighting Design, BKU Fall 2002



Shown with 'B' Cap
in Satin Aluminum (SAP) finish





ST-C-MM

m² MINI-MICRO™/STYLE C TWIN SIGN STAR™



MATERIAL



FOR USE WITH



Power Supplies



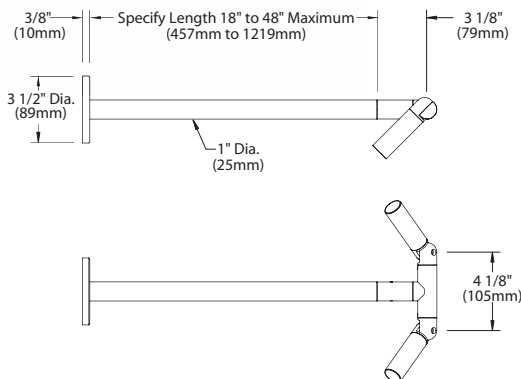
Options



Mounting



Shown with 'B' Caps
in Black Satin (BLP) finish



'A/D' Cap



'B/E' Cap



'C' Cap

See page 314 for Catalog ordering information.

MICRO NITE™/STYLE A SN-A-MN SIGN STAR™



MATERIAL



FOR USE WITH



Power Supplies



Options



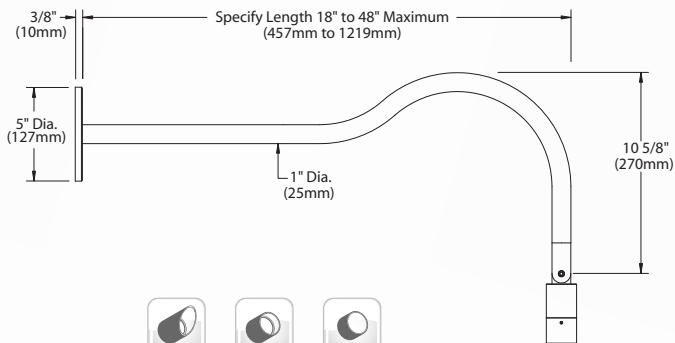
Mounting

"B-K? Give them a challenge, they meet it. If there's a problem, they solve it. When they make a commitment, they keep it. What B-K does as a matter of course might well be called "exceeds expectations," where others are concerned."

Dave Emory, Lightrix, BKU Fall 2011



Shown with 'B' Cap
in Bronze Wrinkle (BZW) finish





ST-A-MN

MICRO NITE™/STYLE A TWIN SIGN STAR™

MATERIAL



FOR USE WITH



Power Supplies

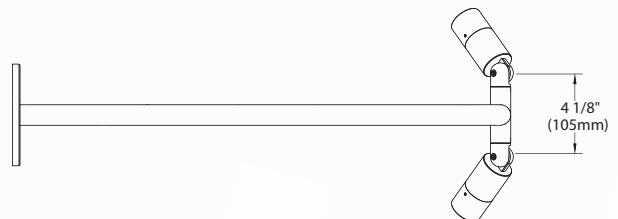
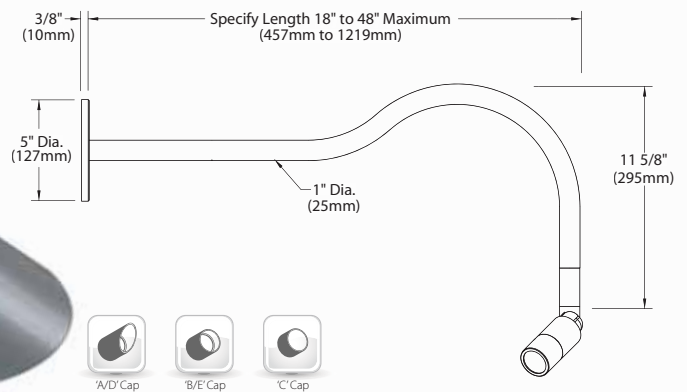


Options



Mounting

Shown with 'A' Caps
in Satin Aluminum (SAP) finish



MICRO NITE™/STYLE B SN-B-MN SIGN STAR™



MATERIAL



FOR USE WITH



Power Supplies



Options



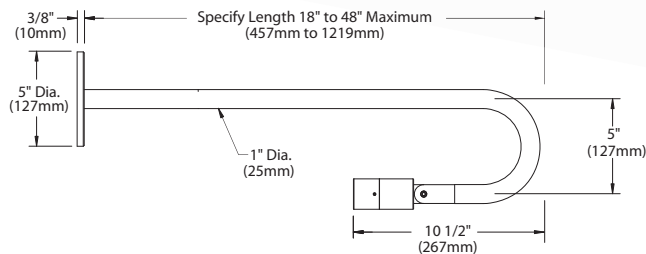
Mounting

"One thing that has always impressed me about B-K is how easily accessible whatever I might need from them is. Whether it's a question about how a particular product works, a modification, a ship date or tracking a shipment the answer is always just a phone call or a few clicks on their website away. No run-arounds, no "that's not my job," no confusing or incorrect information. Just the answers that I need to keep my customer happy – and a loyal B-K specifier."

Bruce Fink, Enterprise Lighting Sales, BKU Fall 2011



Shown with 'B' Cap
in Verde (VER) finish



'A/D' Cap



'B/E' Cap



'C' Cap



Power of 'e'
(BKSSL™)



MR11 Halogen

ST-B-MN

MICRO NITE™/STYLE B TWIN SIGN STAR™



Shown with 'B' Caps
in Bronze Wrinkle (BZW) finish

MATERIAL



FOR USE WITH



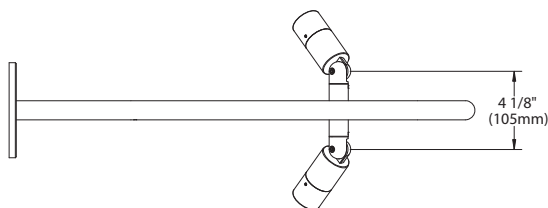
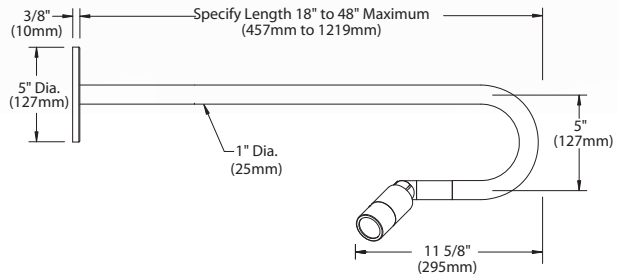
Power Supplies



Options



Mounting



A/D' Cap



'B' Cap



'C' Cap

MICRO NITE™/STYLE C SN-C-MN SIGN STAR™



MATERIAL



FOR USE WITH



Power Supplies



Options



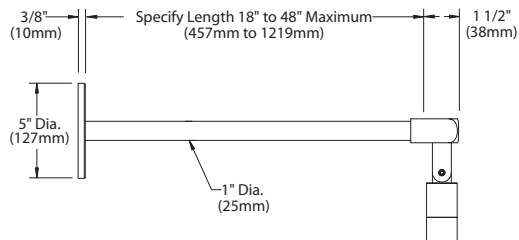
Mounting

"Trust. That is what B-K is to me. When I put B-K Lighting on a job, I trust that the fixture is of such quality that it will last the life of the project. We trust that the fixture will be rugged enough to withstand the elements and the light output will be superb."

Blake Myers, Lighting Associates, Inc., BKU Spring 2010



Shown with 'A' Cap
in Satin Aluminum (SAP) finish





ST-C-MN

MICRO NITE™/STYLE C TWIN SIGN STAR™

MATERIAL



FOR USE WITH



Power Supplies



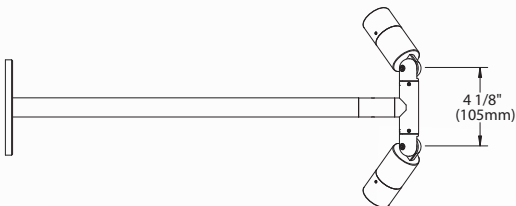
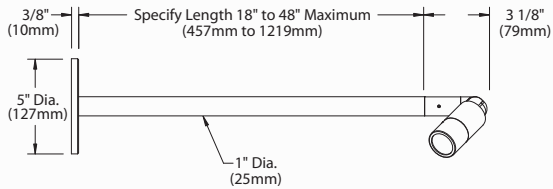
Options



Mounting



Shown with 'B' Caps
in Bronze Wrinkle (BZW) finish



A/D' Cap



'B' Cap



'C' Cap

See page 313 for Catalog ordering information.

MICRO NITE™/STYLE L SN-L-MN SIGN STAR™



Power of 'e'
(BKSSL™)



MR11 Halogen

MATERIAL



FOR USE WITH



Power Supplies



Options



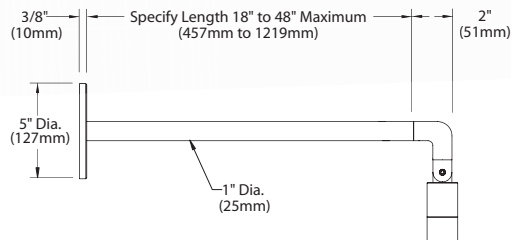
Mounting

"Many times lighting designers come across smaller signage, especially within retail centers that are pedestrian orientated. The Micro Nite Sign Star™ is a lightweight, high efficacy fixture with a modern look, perfect for those lighting situations. You can be sure the signage is properly illuminated without oversaturating the surrounding area. It all comes back to the right tool for the right job."

Justin Perez, B-K Lighting, Manufacturing Manager/BKU Instructor



Shown with 'A' Cap
in Black Chrome (BCM) finish



'A/D' Cap



'B/E' Cap



'C' Cap



SN-L SIGN STAR™

STYLE L

"Patented technologies and components mean these fixtures are built to last, and at an affordable price."

Janine Everly-Perez, Morr-Sharp Associates, LLC, BKU Fall 2008

MATERIAL



FOR USE WITH



Power Supplies



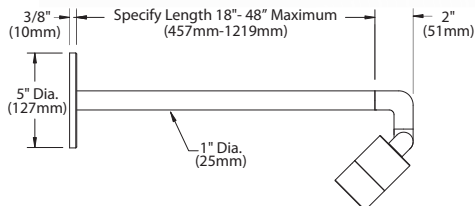
Options



Mounting



Shown with 'B' Cap
in Black Chrome (BCM) finish



'A/D' Cap



'B/E' Cap



'C' Cap



'F' Cap

STYLE A SIGN STAR™

SN-A



MATERIAL



FOR USE WITH



Power Supplies



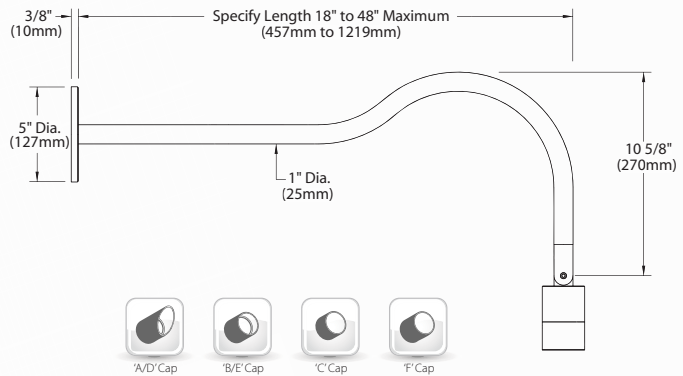
Options



Mounting



Shown with 'A' Cap
in Satin Aluminum (SAP) finish





ST-A

TWIN SIGN STAR™

STYLE A™

"To be able to apply lighting where you want it - no more, no less - is really what we're about. The Sign Star™ and Twin Sign Star™ do this so predictably and elegantly, that I never think twice about it. In over thirty years of lighting design, I've never done anything that's had more requests for "...just like you did there."

Paul Stoops, Paul Stoops Associates, BKU Fall 2012

MATERIAL



FOR USE WITH



Power Supplies

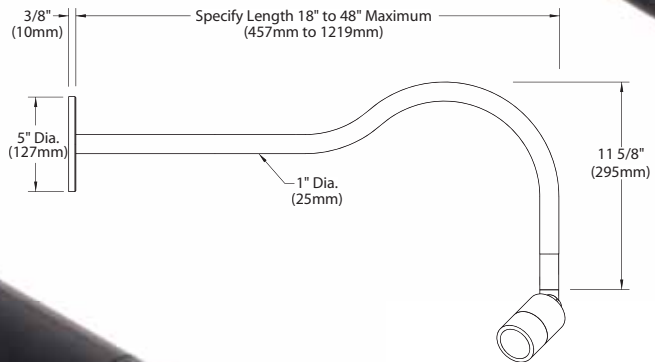


Options



Mounting

Shown with 'C' Caps
in Black Satin (BLP) finish



'A/D' Cap



'B/E' Cap



'C' Cap



'F' Cap



STYLE B SIGN STAR™

SN-B



MATERIAL



FOR USE WITH



Power Supplies



Options



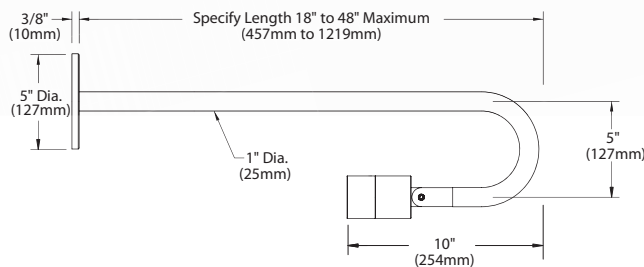
Mounting

“Oh the Sign Star™ — it may just have as many options and applications as there are stars. From the face of the wall, from the parapet or from below, the versatility of the Sign Star™ is unmatched. The options are endless, but, the single best innovation to the line for me was the use of the BKSSL® LED chip and driver, providing local control via the “adjust-e-lume®” feature to the luminaire. This allows us to provide a single source and specification to meet the wide array of requirements of our clients and the local city requirements providing a high level of control of the source and years of maintenance free operations and reduced energy costs.”

Scott King, CS Illumination, BKU Spring 2012



Shown with 'B' Cap
in Black Satin (BLP) finish





ST-B

STYLE B TWIN SIGN STAR™



MATERIAL



FOR USE WITH



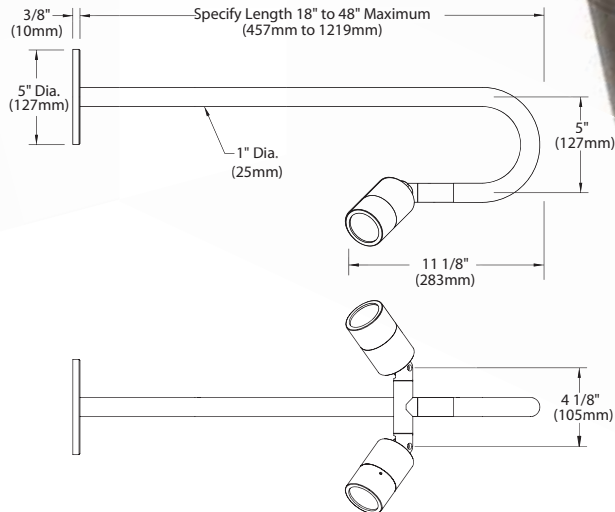
Power Supplies



Options



Mounting



Shown with 'B' Caps in Bronze Satin (BZP) finish



See page 311 for Catalog ordering information.

STYLE C SIGN STAR™

SN-C



MATERIAL



FOR USE WITH



Power Supplies



Options



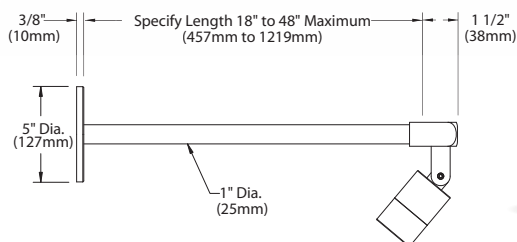
Mounting

"We wanted to provide lighting for the Carmel High School Center for the Performing Arts feature wall separately from the overall general illumination. The lighting's main purpose was to light artwork that would be mounted on the wall at typical viewing heights. I needed the fixture to be farther out from the wall so as to not cast shadows and this was done with an extended stem. The clients were very happy with the results."

Steve Cate, Aurum Consulting Engineers, BKU Spring 2005



Shown with 'A' Cap
in Black Satin (BLP) finish



'A' Cap



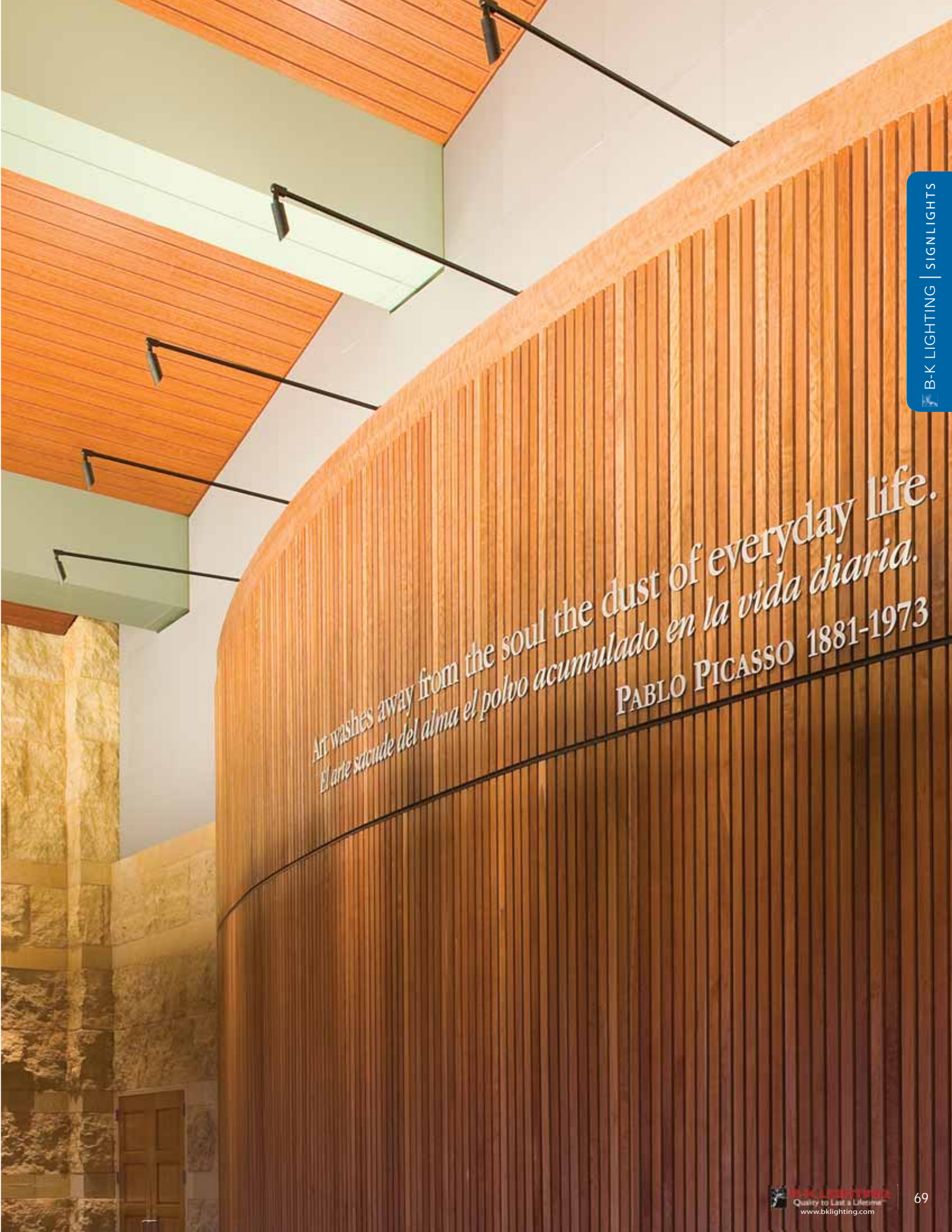
'B/E' Cap



'C' Cap



'F' Cap



*Art washes away from the soul the dust of everyday life.
El arte sacude del alma el polvo acumulado en la vida diaria.*
PABLO PICASSO 1881-1973





ST-C

TWIN SIGN STAR™

STYLE C

"Simply put we layer lighting and illuminate objects and surfaces. Whether it is a sign in a retail center, a lush green wall, a clay tile roof or even a wall mounted art sculpture, we need a discrete adjustable, cantilevered fixture. The Sign Star™ is perfect for those applications. The accessories provide flexibility and eliminate glare so it is a great tool to get the job done right, the first time."

Chip Israel, Lighting Design Alliance, BKU Spring 2003

MATERIAL



FOR USE WITH



Power Supplies



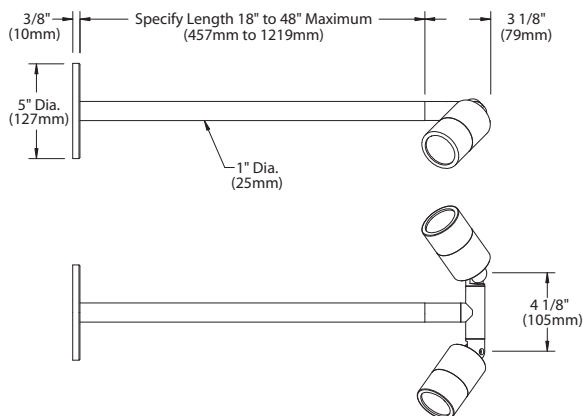
Options



Mounting



Shown with 'C' Caps
in Bronze Satin (BZP) finish



STYLE D SIGN STAR™

SN-D



MATERIAL



FOR USE WITH



Power Supplies



Options



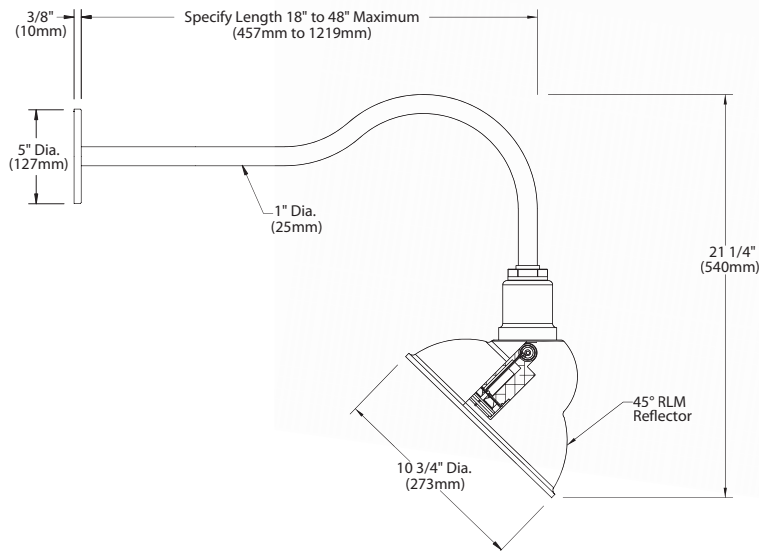
Mounting

"The consistence and quality in the fixtures and the Company are second to none."

Lou Long, Kirk Sommer Sales, Inc., BKU Spring 2004



Shown on a Power Canopy™
in Satin Aluminum (SAP) finish









Incandescent

SN-E

STYLE E SIGN STAR™

"B-K Lighting is a tremendous company with great people and great products."

Gozde Gursoy, Curtis H. Stout, Inc., BKU Fall 2012

MATERIAL



FOR USE WITH



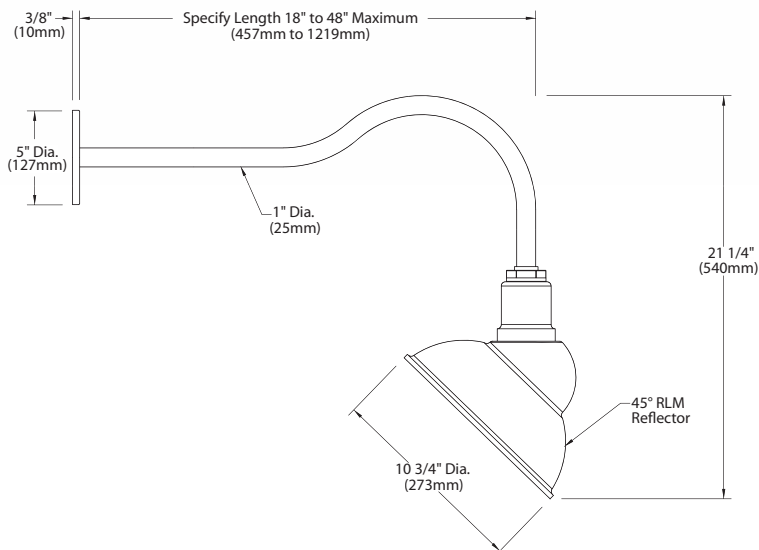
Options



Mounting



Shown on a Power Canopy™
in Black Satin (BLP) finish



DENALI SERIES™/STYLE A **SN-A-DE** SIGN STAR™



MATERIAL



FOR USE WITH



Power Supplies



Options



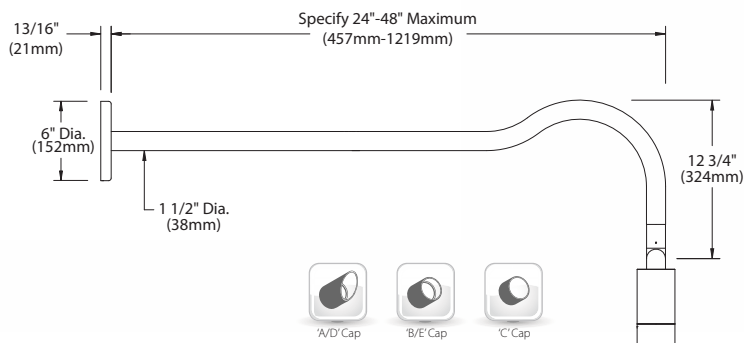
Mounting

"At B-K Lighting we are first and foremost a company that serves its customers. One way we do this is through our customs department; custom orders signify a need within the industry that is not being met by others. Integrating custom products into our standardized product line enables us to meet specifiers' expectations as an innovative company. The Denali Series™ Sign Stars™ are an embodiment of this process."

Douglas Hagen, B-K Lighting, Founder and CEO/BKU Instructor



Shown with 'B' Cap
in Black Wrinkle (BLW) finish





Power of X
(BKSSL)

ST-A-DE

DENALI SERIES™/STYLE A TWIN SIGN STAR™

MATERIAL



FOR USE WITH



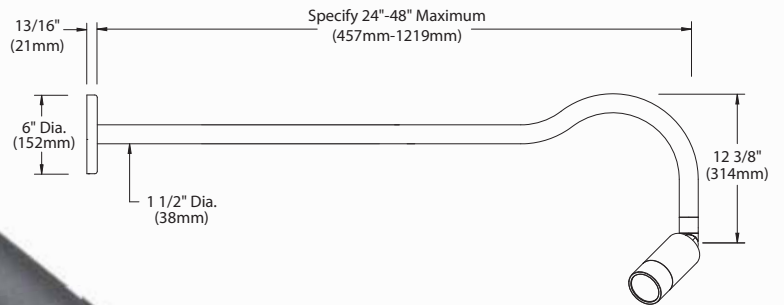
Power Supplies



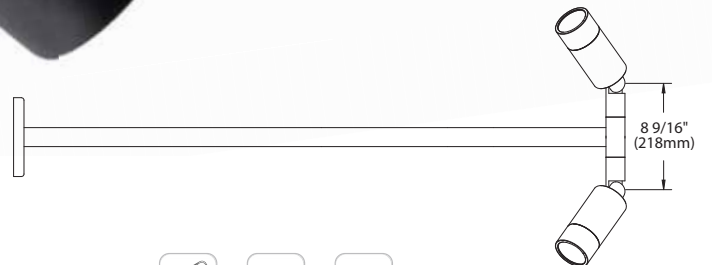
Options



Mounting



Shown with 'B' Caps
in Black Wrinkle (BLW) finish



'A/D' Cap



'B/E' Cap



'C' Cap

DENALI SERIES™/STYLE B SIGN STAR™

SN-B-DE



MATERIAL



FOR USE WITH



Power Supplies



Options

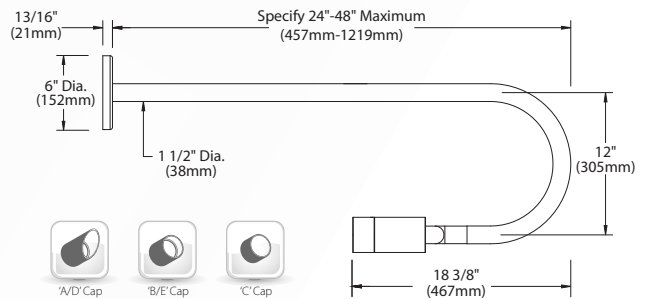


Mounting

"The gentle curve of the Denali Series™ Style B Sign Star™ will have clients turning their heads, keeping their eyes on the prize; your signage! This graceful fixture doesn't let up with its clean, near-perfect white light provided by Power of 'X' solid state technology."

Nathan Sloan, B-K Lighting, President/BKU Instructor

Shown with 'B' Cap
in Black Wrinkle (BLW) finish





ST-B-DE

DENALI SERIES™/STYLE B TWIN SIGN STAR™

MATERIAL



FOR USE WITH



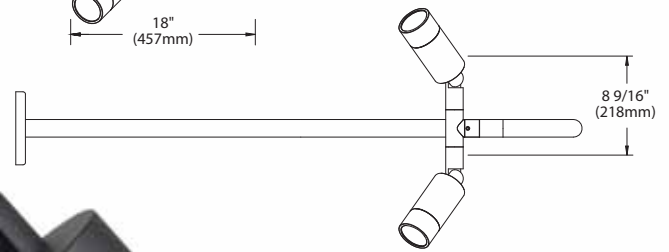
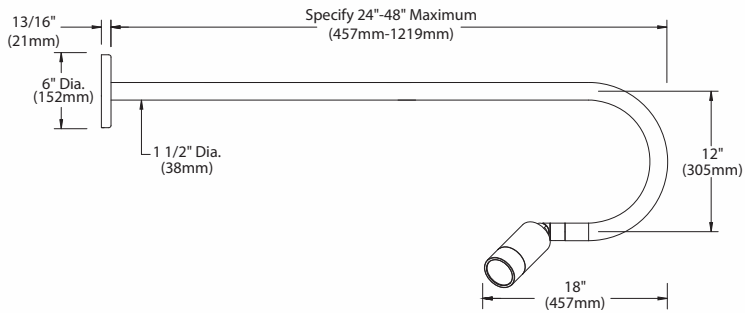
Power Supplies



Options



Mounting



A/D' Cap



B/E' Cap



C' Cap

Shown with 'B' Caps
in Black Wrinkle (BLW) finish

DENALI SERIES™/STYLE L SIGN STAR™

SN-L-DE



Power of 'X'
(BKSSL™)

MATERIAL



FOR USE WITH



Power Supplies



Options



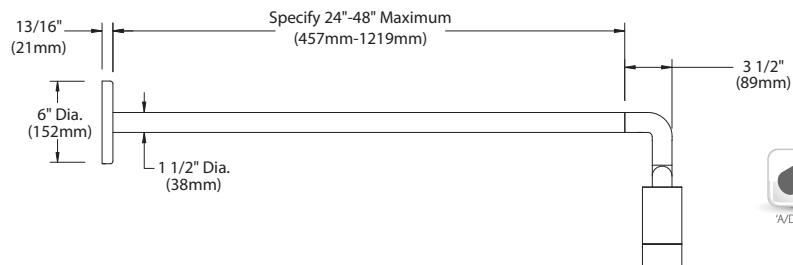
Mounting

"Specifiers are at times weary of placing a stemmed sign light because the fixture's stem can clash with architectural details or with inferior products, actually hamper readability. This is not the case with Denali Series™ Style L Sign Star™ whose figure is minimal. Once evening begins Denali's pure light magically appears. The fixture itself is all but invisible."

Karen Duffy, LC, B-K Lighting, Regional Sales Manager/BKU Instructor



Shown with 'B' Cap
in Black Wrinkle (BLW) finish



A/D' Cap



B/E' Cap



C' Cap



Power of X
(BKSSL)

ST-C-DE

DENALI SERIES™/STYLE C TWIN SIGN STAR™

MATERIAL



FOR USE WITH



Power Supplies



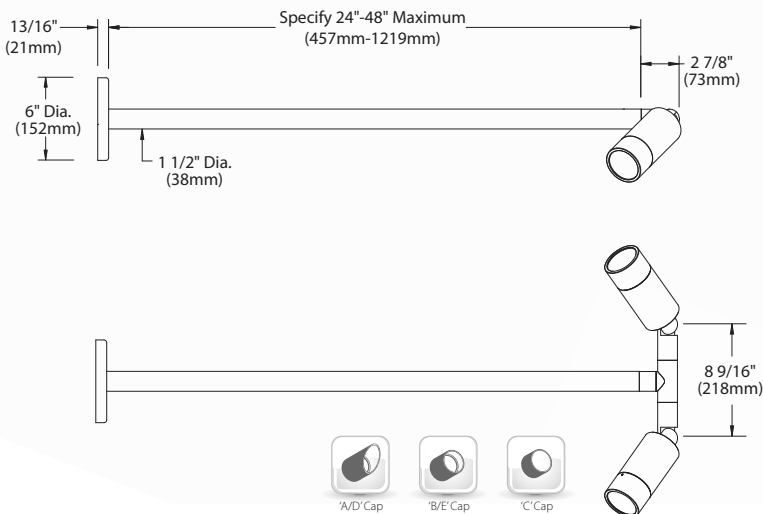
Options



Mounting

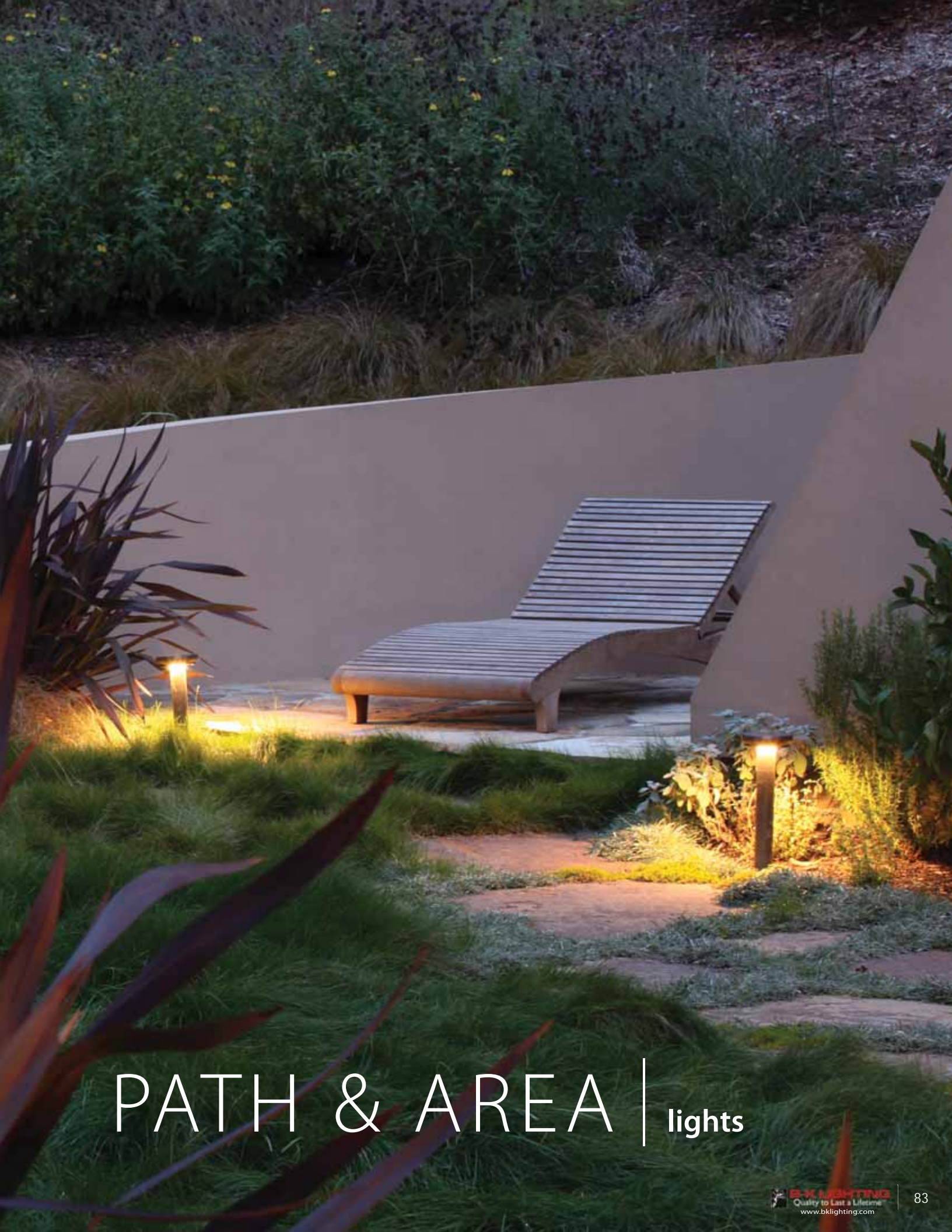


Shown with 'A' Caps
in Satin Aluminum (SAP) finish



Create an evocative landscape with luminaires that point to the effects of their source rather than the cause with our unique path and area lighting products. Transform patios, walkways, beds and foliage into livable, inviting outdoor spaces that clients never knew were possible.





PATH & AREA | lights

m² MINI-MICRO™/STYLE B STAFF STAR™

SF-B-MM



MATERIAL



FOR USE WITH



Power Supplies



Options



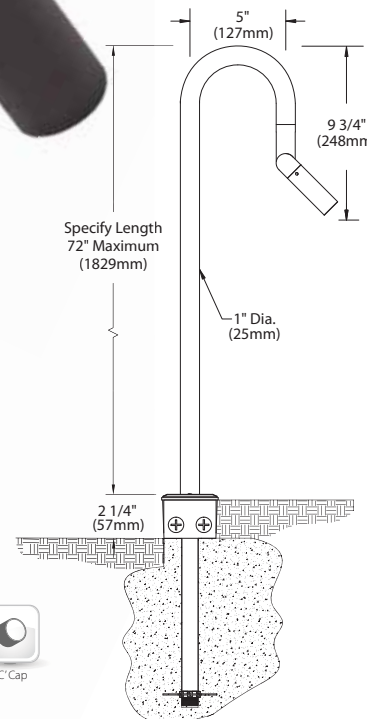
Mounting

“When you hear “B-K Lighting,” as a lighting designer you know right away, it is not just exterior lighting products manufacturer, it is a true leader in high quality lighting products and services, who provides products with latest technologies and supports sustainability initiatives. Learning from B-K helped specify the best products for our clients.”

Raisa Shigol, Cannon Design, BKU Fall 2005



Shown with 'B' Cap
in Bronze Wrinkle (BZW) finish



'A/D' Cap



'B/E' Cap



'C' Cap

See page 322 for Catalog ordering information.



TF-B-MM

m² MINI-MICRO™/STYLE B TWIN STAFF STAR™

"B-K Lighting also represents a true commitment to the design community. Whether standard or custom fixtures, full fixtures or replacement parts, the needs of the designer always comes first."

Sean Stoller, Stoller, Inc., BKU Spring 2005

MATERIAL



FOR USE WITH



Power Supplies



Options

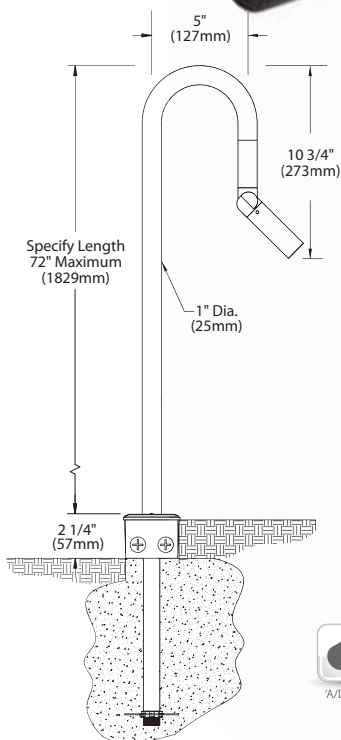


Mounting

B-K LIGHTING | PATH / AREA



Shown with 'B' Caps
in Bronze Wrinkle (BZW) finish



A/D' Cap



B/E' Cap



C' Cap

See page 322 for Catalog ordering information.

m² MINI-MICRO™/STYLE L STAFF STAR™

SF-L-MM



MATERIAL



FOR USE WITH



Power Supplies



Options



Mounting

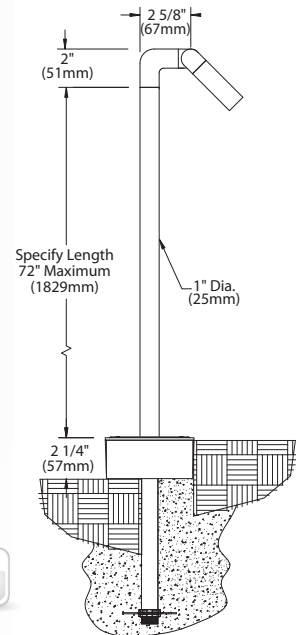
"Florida's outdoor environment is a tough place to place lighting fixtures. B-K units standup to our harsh environment."

Don Rhyne, SESCO Lighting, Inc., BKU Fall 2004

B-K LIGHTING | PATH / AREA



Shown with 'B' Cap
in Satin Aluminum (SAP) finish





TF-C-MM

m² MINI-MICRO™/STYLE C TWIN STAFF STAR™

"As designers we like to highlight the object, not the source, of the light; to see the effect; not the cause. Careful attention to detail and creating a sequence of light views as the user moves through outdoor space is important in our designs. That's why the B-K Twin Mini Micro™ is in our standard design 'toolbox,' due to its minimal fixture profile and diversity of lighting options. It gave us the opportunity to light up the path while illuminating specimen plants and trees along the way."

Adriana Savino, Savino & Miller Design Studio

MATERIAL



FOR USE WITH



Power Supplies



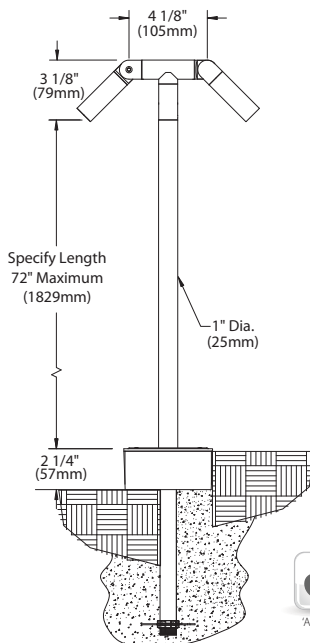
Options



Mounting



Shown with 'B' Caps
in Black Satin (BLP) finish



See page 322 for Catalog ordering information.

MICRO NITE™/STYLE B STAFF STAR™

SF-B-MN



MATERIAL



FOR USE WITH



Power Supplies



Options



Mounting

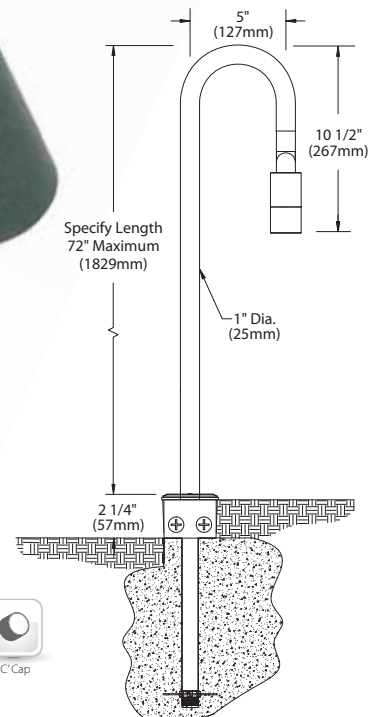
“Our Micro Nite™ Style B Staff Star™ path light is a perfect accompaniment to a growing landscape whose form is both functional and stylish. Micro Nite™ is the surgeon’s scalpel of the lighting industry; precise and exact.”

Skip Herbert, B-K Lighting, Technical Sales Manager/BKU Instructor

B-K LIGHTING | PATH / AREA



Shown with 'B' Cap
in Verde (VER) finish



'A/D' Cap



'B/E' Cap



'C' Cap



TF-B-MN

MICRO NITE™/STYLE B TWIN STAFF STAR™

“Micro Nite™ Style B Twin Staff Star™ rises up and out of low lying, medium and even mature landscaping with a more whimsical stem style that really grabs a viewer’s attention during the day. At night the two fixtures blend mysteriously into their surroundings transforming the cause into a beautiful effect.”

Ryan Berrios, B-K Lighting, National Sales Manager/BKU Instructor

MATERIAL



FOR USE WITH



Power Supplies



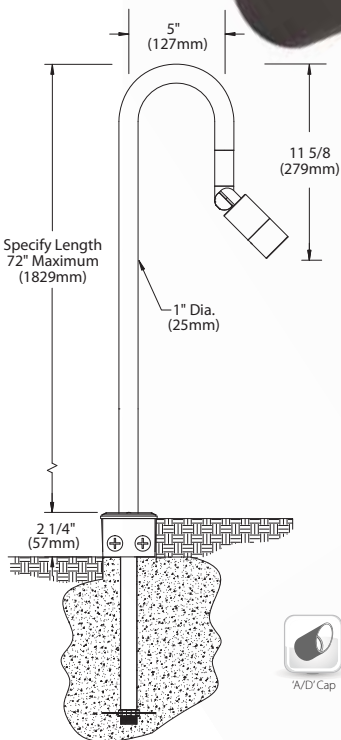
Options



Mounting

B-K LIGHTING | PATH / AREA

Shown with 'B' Caps
in Bronze Wrinkle (BZW) finish



See page 321 for Catalog ordering information.

MICRO NITE™/STYLE C STAFF STAR™

SF-C-MN



MATERIAL



FOR USE WITH



Power Supplies



Options



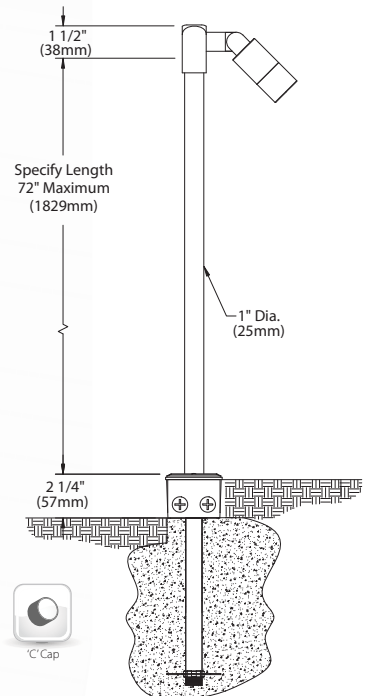
Mounting

"My favorite part of B-K is the people behind the product! There is such pride in the work and the service is second to none. Every detail of each fixture is designed as such for a purpose and to succeed for a long, long time...not just "long enough." If ever asked, they can explain why the product is superior and why they build each fixture as they do. The B-K family is proud of their work and rightly so!"

Gina Brown, Foley Group, Inc., BKU Spring 2003



Shown with 'B' Cap
in Satin Aluminum (SAP) finish



'A/D' Cap



'B/E' Cap



'C' Cap

B-K LIGHTING | PATH / AREA



TF-C-MN

MICRO NITE™/STYLE C TWIN STAFF STAR™

"Micro Nite™ Twin Staff Star™ Style C's rotational control is second to none because it can be aimed along two axes perched atop a 'T' stem. This unassuming fixture has the potential to illuminate ground level, landscaping features as well serve as an upward facing flood when equipped with its appropriate B style caps."

Karen Duffy, LC, B-K Lighting, Regional Sales Manager/BKU Instructor

MATERIAL



FOR USE WITH



Power Supplies

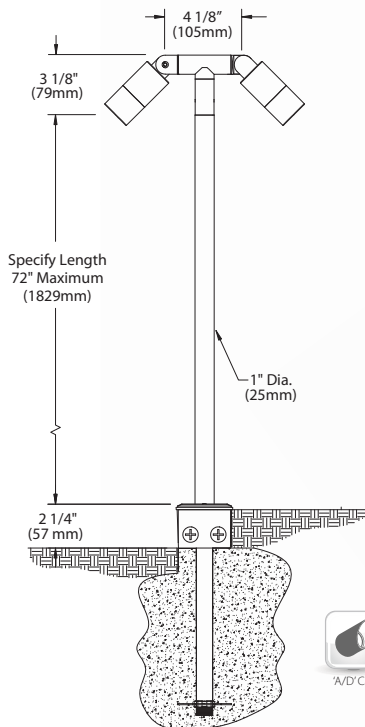


Options



Mounting

Shown with 'B' Caps
in Bronze Wrinkle (BZW) finish



See page 321 for Catalog ordering information.

B-K LIGHTING | PATH / AREA

MICRO NITE™/STYLE L STAFF STAR™

SF-L-MN



MATERIAL



FOR USE WITH



Power Supplies



Options



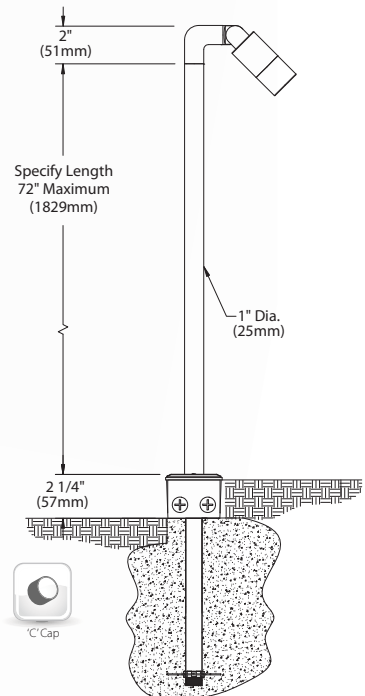
Mounting

"We made sure to cross all the t's with Micro Nite™ Style L Staff Star™. This is a great fixture for mossy, in-grass stones, short ornamental planters, floral beds and other landscape vignettes where it's all in the details."

Nathan Sloan, B-K Lighting, President/BKU Instructor



Shown with 'A' Cap
in Black Chrome (BCM) finish



'A/D' Cap



'B/E' Cap



'C' Cap

See page 321 for Catalog ordering information.



Adjust-e-Lume®
(BKSSL®)



MR16 Halogen

SF-L

STYLE L STAFF STAR™

"I've been specifying the narrow spot, 2700 Kelvin LED a lot lately in the far Northeast. The warm color suits our climate all through the year and a variety of beam spreads accentuate the rich textures of the brick, stone and cedar shingles that are common in both old and new architecture here."

Greg Day, Greg Day Lighting, BKU Fall 2012

MATERIAL



FOR USE WITH



Power Supplies

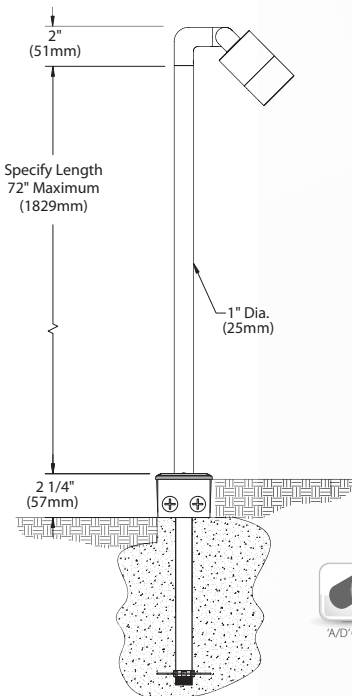


Options



Mounting

Shown with 'B' Cap
in Black Chrome (BCM) finish



A/D' Cap



B/E' Cap



C' Cap



F' Cap

See pages 319-320 for Catalog ordering information.

STYLE B STAFF STAR™

SF-B



MATERIAL



FOR USE WITH



Power Supplies



Options



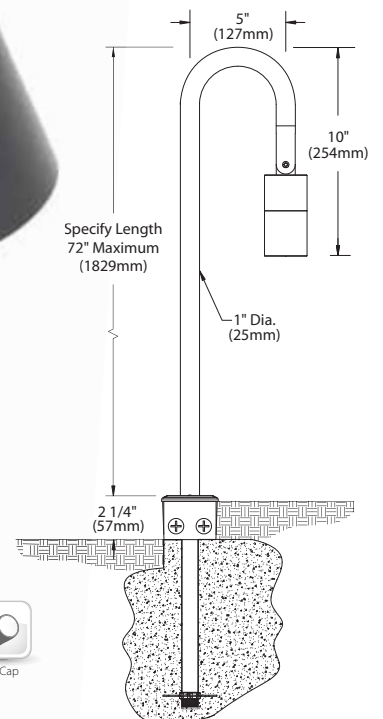
Mounting

"My everyday 'go to' favorites – B-K has them. My one-off custom applications – B-K knocks it out of the park! Either way, I feel like a kid on Christmas morning every time I open a B-K Lighting box."

Michael Deo, NatureScape Lighting, BKU Spring 2014



Shown with 'B' Cap
in Black Satin (BLP) finish



'A/D' Cap



'B/E' Cap



'C' Cap



'F' Cap

See pages 319-320 for Catalog ordering information.



TF-B

STYLE B TWIN STAFF STAR™

"The customer service, satisfaction, and guarantee quality are second to none. The product works every time, no questions asked."

Julia Gordon, Schuler Shook, BKU Fall 2008

MATERIAL



FOR USE WITH



Power Supplies



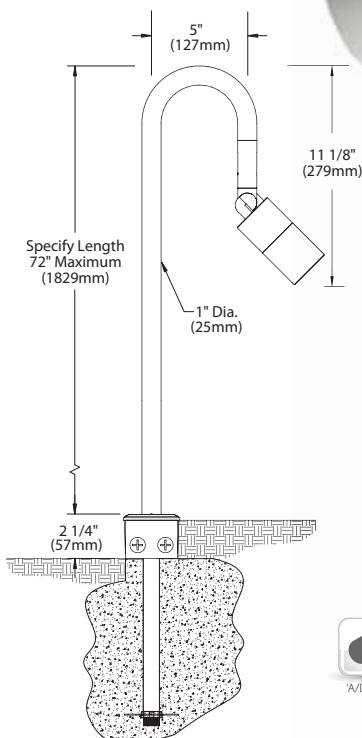
Options



Mounting



Shown with 'C' Caps in White Satin (WHP) finish



'A/D' Cap



'B/E' Cap



'C' Cap



'F' Cap

See pages 319-320 for Catalog ordering information.

STYLE C STAFF STAR™

SF-C



MATERIAL



FOR USE WITH



Power Supplies



Options



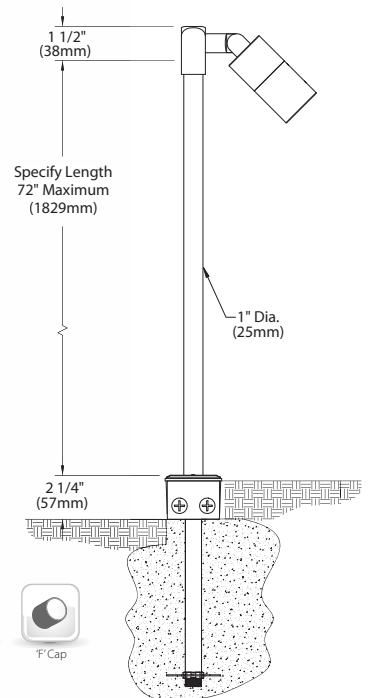
Mounting

"Whenever we need outdoor lighting for our projects, we immediately think B-K Lighting. The fabulous little fixture called Nite Star™ found within the Staff Star™ Style C is so versatile and can be modified to meet nearly every project need. The small form factor, clean lines, quality accessories and clever mounting allow these fixtures to elegantly blend into sophisticated architectural features and facades. B-K brings unparalleled quality, features and service that we rely on for every project."

Carrie Hawley, Horton Lees Brogden Lighting Design, BKU Fall 2009



Shown with 'B' Cap
in Hunter Green (HUG) finish



See pages 319-320 for Catalog ordering information.



TF-C

STYLE C TWIN STAFF STAR™

"Twin Staff Star™ Style C offers the opportunity to light surfaces in need of greater coverage compared to traditional path lights. Different cap styles allow shielding as required and make this an architecturally flexible option for larger path or gathering areas without being obtrusive."

Markus Wolf, Eric Johnson Associates, Inc., BKU Spring 2007

MATERIAL



FOR USE WITH



Power Supplies



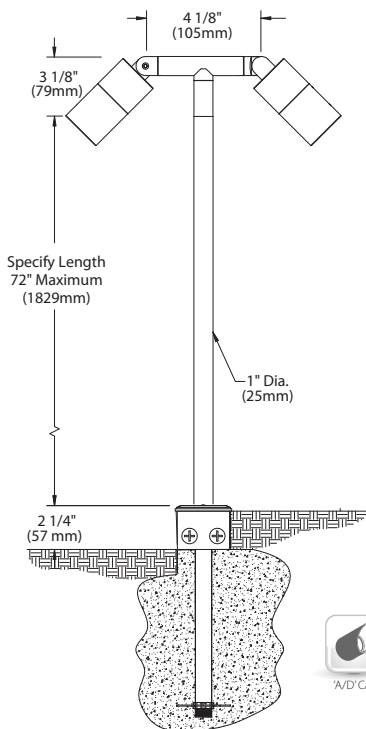
Options



Mounting



Shown with 'C' Caps
in Bronze Wrinkle (BZW) finish



See pages 319-320 for Catalog ordering information.

DENALI SERIES™/STYLE B STAFF STAR™

SF-B-DE



Power of 'X'
(BKSSL™)

MATERIAL



FOR USE WITH



Power Supplies



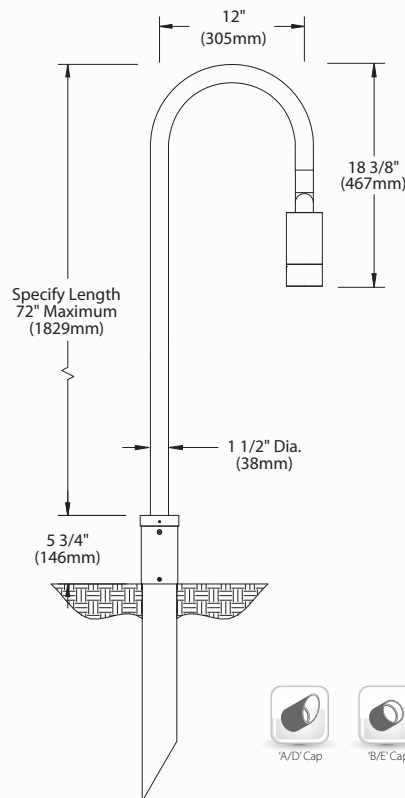
Options



Mounting

“Denali Series™ Style B Staff Star™ brings the light down into the landscape. The arched form demands recognition during daylight hours adding a distinct look and feel to any installation. At night, Denali transforms the scene into a dramatic aesthetic statement.”

Ryan Berrios, B-K Lighting, National Sales Manager/BKU Instructor



Shown with 'B' Cap
in Black Wrinkle (BLW) finish



'A/D' Cap



'B/E' Cap



'C' Cap

B-K LIGHTING | PATH / AREA



Power of X[®]
(BKSSL)

TF-B-DE

DENALI SERIES™/STYLE B TWIN STAFF STAR™

MATERIAL



FOR USE WITH



Power Supplies

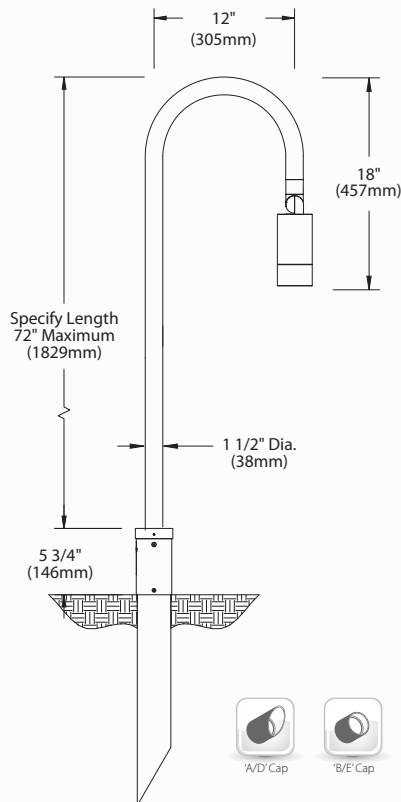


Options



Mounting

Shown with 'B' Caps
in Black Wrinkle (BLW) finish



DENALI SERIES™/STYLE L STAFF STAR™

SF-L-DE



MATERIAL



FOR USE WITH



Power Supplies



Options



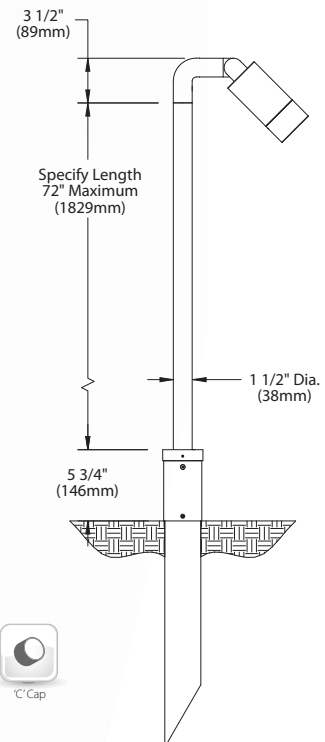
Mounting

“Denali Series™ is a tour de force that can now be applied in many of the places where Staff Star™ finds warm and inviting hospitality along walks, entry paths but fully capable of revealing full-sized and mature landscaping features.”

Karen Duffy, LC, B-K Lighting, Regional Sales Manager/BKU Instructor



Shown with 'B' Cap
in Black Wrinkle (B.LW) finish



A/D' Cap



B/E' Cap



C' Cap



TF-C-DE

DENALI SERIES™/STYLE C TWIN STAFF STAR™

"The form-follow-function design of the Denali Series™ Style C Twin Staff Star™ not only gives you efficient and superb light and exacting control but does so in the absolute least impact possible. When a specifier needs serious illumination they look to B-K Lighting's Denali Series™ Staff Star™."

Skip Herbert, B-K Lighting, Technical Sales Manager/BKU Instructor

MATERIAL



FOR USE WITH



Power Supplies



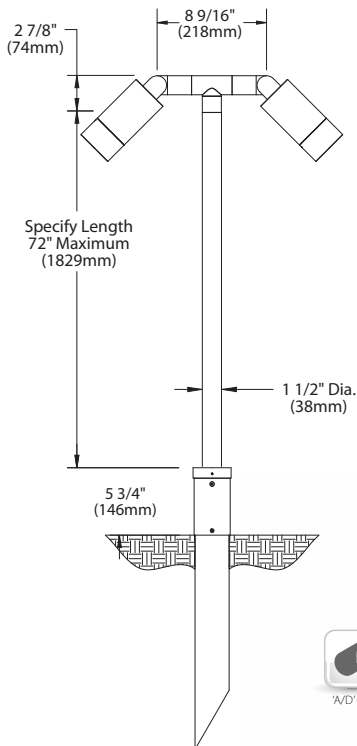
Options



Mounting



B-K LIGHTING | PATH / AREA



'A/D' Cap



'B/E' Cap



'C' Cap

Shown with 'B' Caps
in Black Wrinkle (BLW) finish

PATH STAR™

PS



MATERIAL



FOR USE WITH



Power Supplies



Options



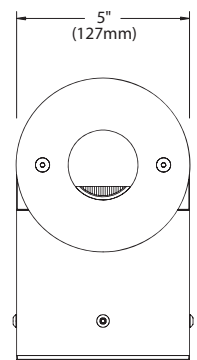
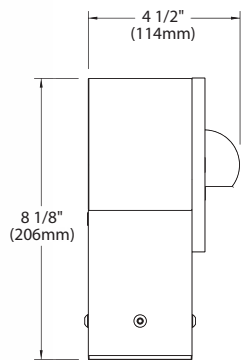
Mounting

"B-K provides a lot of high quality fixtures exceeding customer's expectations. Their high performance products have successfully stood up against other competitors. Definitely, I will keep working with B-K and recommend their reliable products to my clients."

Jhim Handrex Meza, Aurum Consulting Engineers, Summer 2014



Shown in Black Wrinkle (BLW) finish





BS

BOLLARD STAR™

"B-K Lighting has consistently been a leader in design innovation and the incorporation of emerging technologies into their incomparable line. Their quality is superb. My greatest appreciation is for their vast experience in custom alterations to their standard products. Their excellent response times to abnormal requests makes them a designer's best friend. A true star in American manufacturing!"

Ralph Platt, AVL Pro, Inc., BKU Spring 2010



MATERIAL



FOR USE WITH



Power Supplies

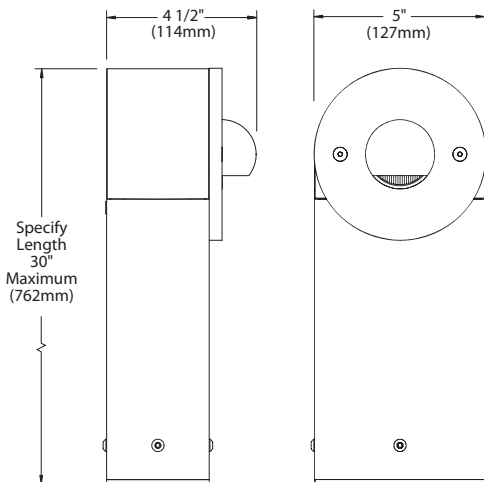


Options



Mounting

Shown in
Bronze Wrinkle (BZW) finish



See page 314 for Catalog ordering information.

LOUVERED PATH STAR™

PSL



MATERIAL



FOR USE WITH



Power Supplies



Options



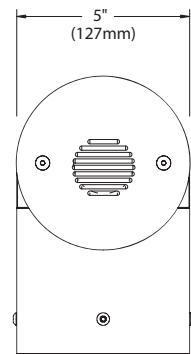
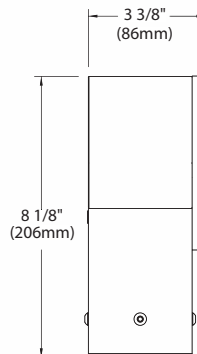
Mounting

"When I am talking to specifiers about B-K Lighting I can be 100% confident that the product will work according to the specifications. The quality is second to none."

John Rimmer, Rimmer Consulting Group LLC



Shown in
Black Wrinkle (BLW) finish





BSL

LOUVERED BOLLARD STAR™

"I think for me, the most important characteristics of landscape lighting are product size, durability, and great shielding. B-K products fit the bill."

Shannon Glover, Candela Lighting Design, BKU Fall 2013

MATERIAL



FOR USE WITH



Power Supplies



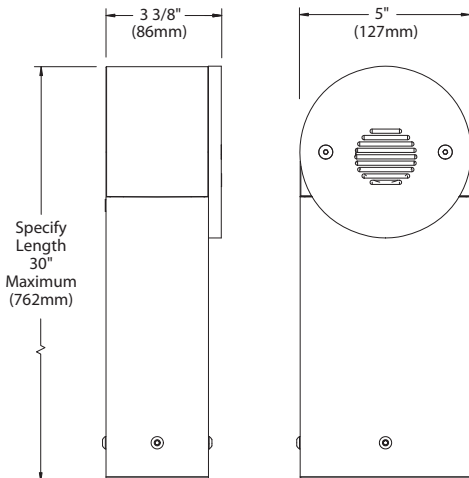
Options



Mounting



Shown in Black Wrinkle (BLW) finish



GLOW STAR™



MATERIAL*



FOR USE WITH



Power Supplies



Options



Mounting

"I love the craftsmanship and machining that goes into every product. B-K has really engineered their fixtures, from the materials they choose, how they seal their lens, down to the specific internal gasketing, all to withstand the harsh outdoor environment."

Kylie Gabbard, Pritchard Peck Lighting, Summer 2014

B-K LIGHTING | PATH / AREA



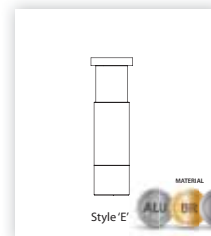
Style 'J'
Shown in
White Satin (WHP) finish



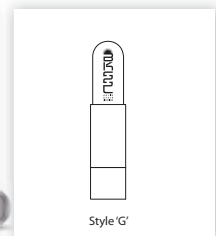
Style 'E'
Shown in
Bronze Wrinkle (BZW) finish



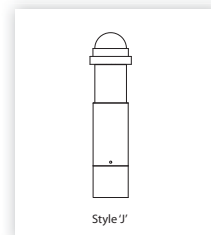
Style 'N1'
Shown in
Black Wrinkle (BLW) finish



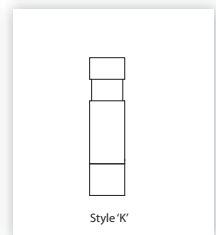
Style 'E'



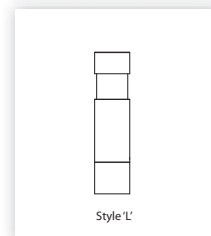
Style 'G'



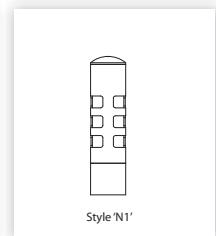
Style 'J'



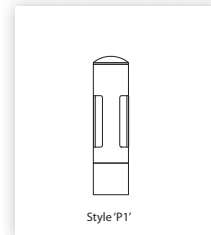
Style 'K'



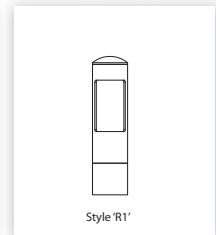
Style 'L'



Style 'N1'

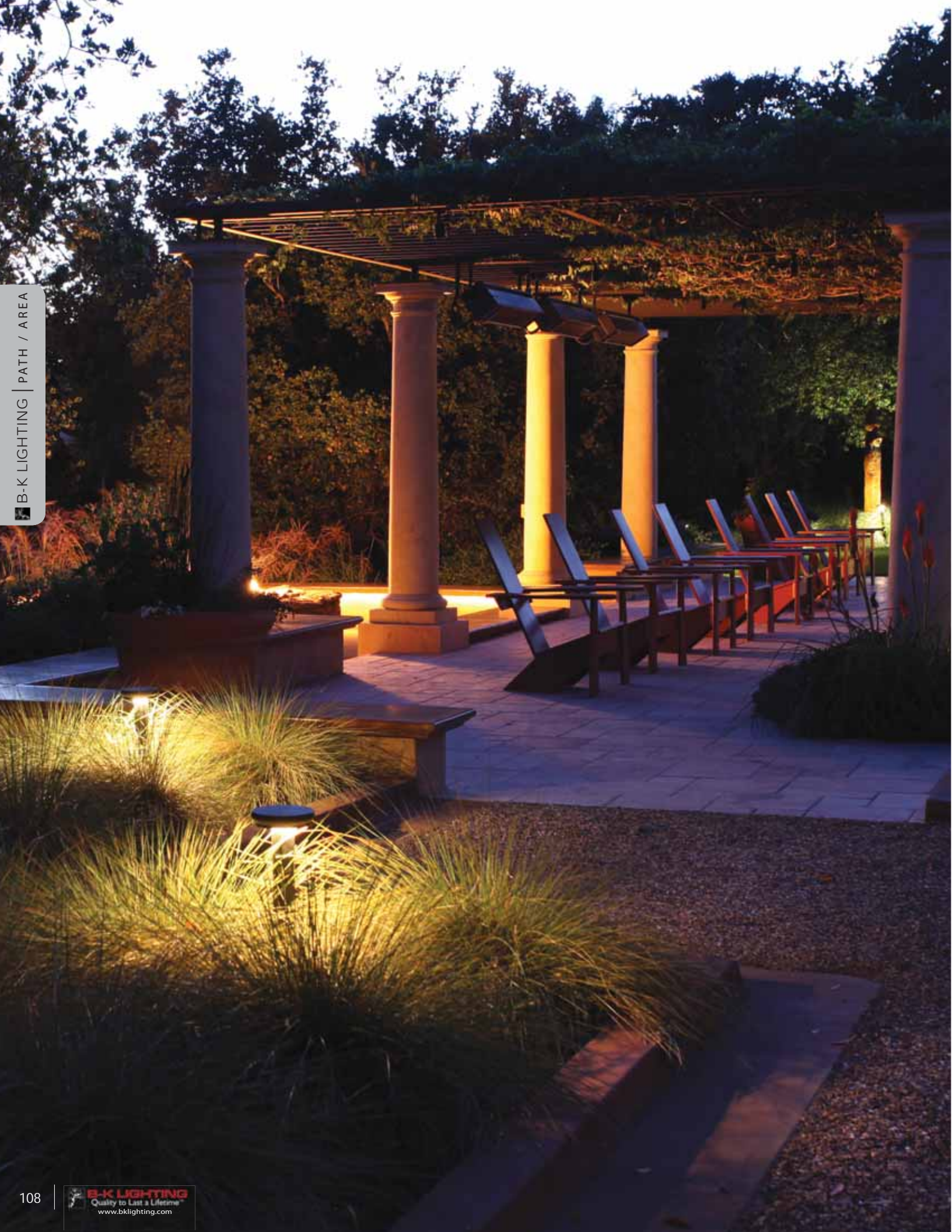


Style 'P1'



Style 'R1'







CS

CAMINO STAR™

"The Camino Star™ Style E has become a main character in my site lighting cast. Sized to the correct height, this simple fixture provides the perfect illumination at the ends of free-floating steps. This application is one of my favorites. Used to create a soft "glow," these acrylic lens fixtures appear to grow right out of the planting."

Donna Best, d. Best Light Specification, BKU Fall 2003

MATERIAL



FOR USE WITH



Power Supplies



Options

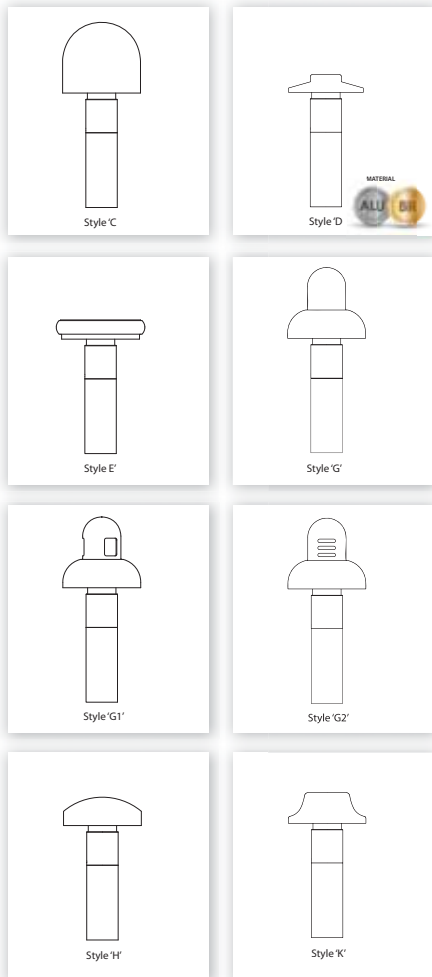


Mounting

B-K LIGHTING | PATH / AREA



Style 'D'
Shown in
Satin Aluminum (SAP) finish



Style 'E'
Shown in
Bronze Wrinkle (BZW) finish

LITESTICK®

LT



MATERIAL*



FOR USE WITH



Power Supplies



Options



Mounting

"Exteriors Landscape Architecture designed these Corten steel risers cut into the grassy hillside. The steps lead to a low half sphere wall – a magical place for stargazing. The LiteStick®, installed with the glare shield option, projects a subtle, yet effective, wedge shaped beam of light across the edge of each riser. This is an inviting path on a moonless night."

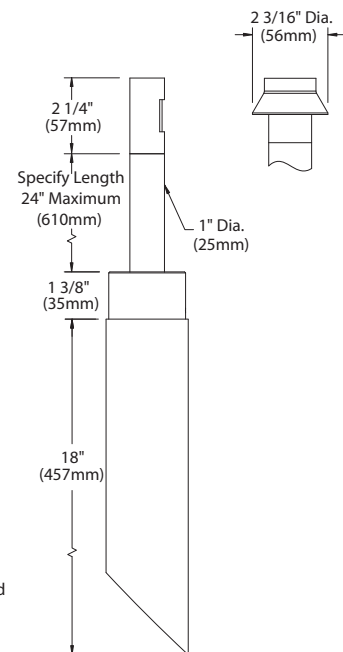
Donna Best, d. Best Light Specification, BKU Fall 2003



Shown in
Old Copper (OCP) finish



Shown with optional Glare Shield
in Satin Aluminum (SAP) finish





STYLE L LITESTICK®

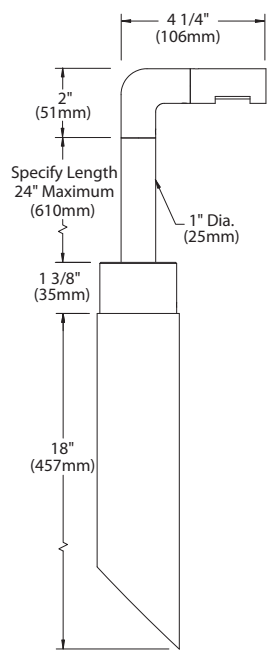
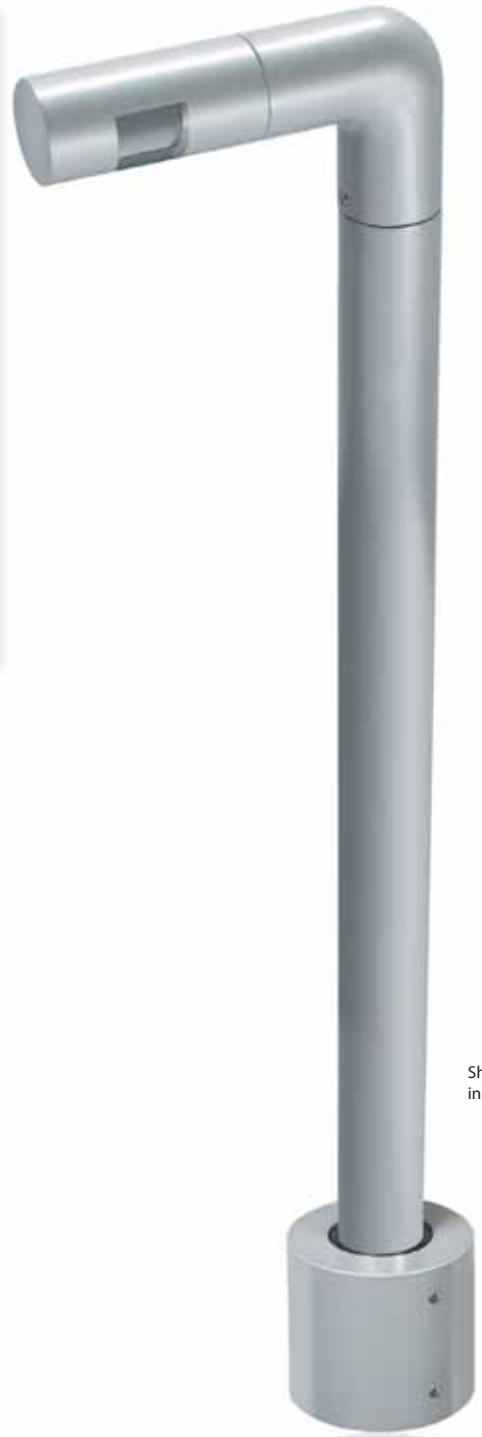
"The Litestick® Style L is a unique fixture that's perfect for lighting flower beds, rock formations, and many other tactful tasks that require sensitive down lighting. Can you believe this fixture can be specified with a mounting height as little as three inches or as high as 24 inches? Love the integral transformer and Power Pipe™ mounting options too."

Donna Best, d. Best Light Specification, BKU Fall 2003

MATERIAL

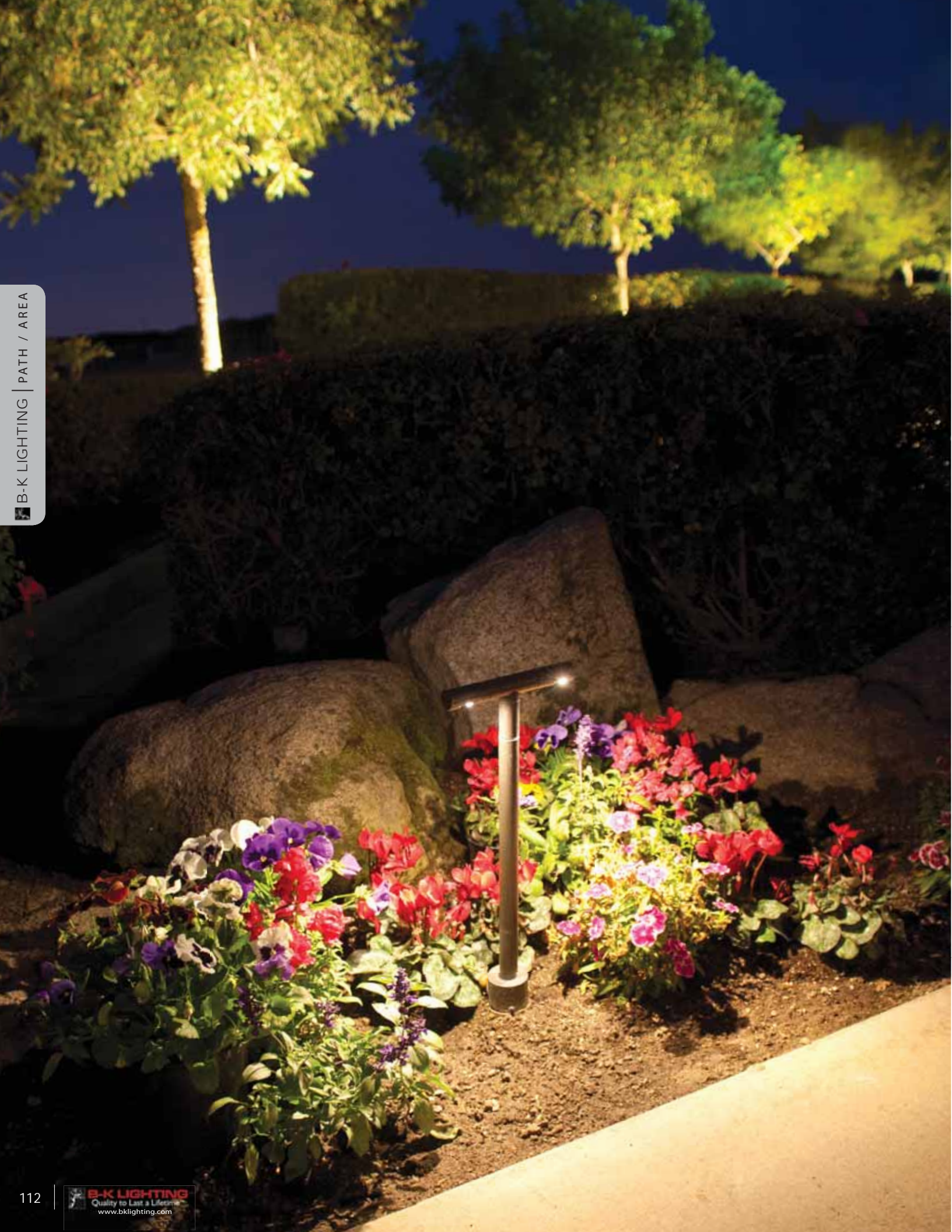


FOR USE WITH



Shown with Adjustable Stem in Satin Aluminum (SAP) finish

See page 318 for Catalog ordering information.





LT-T

STYLET LITESTICK®

"B-K Lighting is the industry leader in landscape and site lighting. They are always first in new product development with leading edge technology."

John Cuoco, omnilite, BKU Fall 2011

MATERIAL



FOR USE WITH



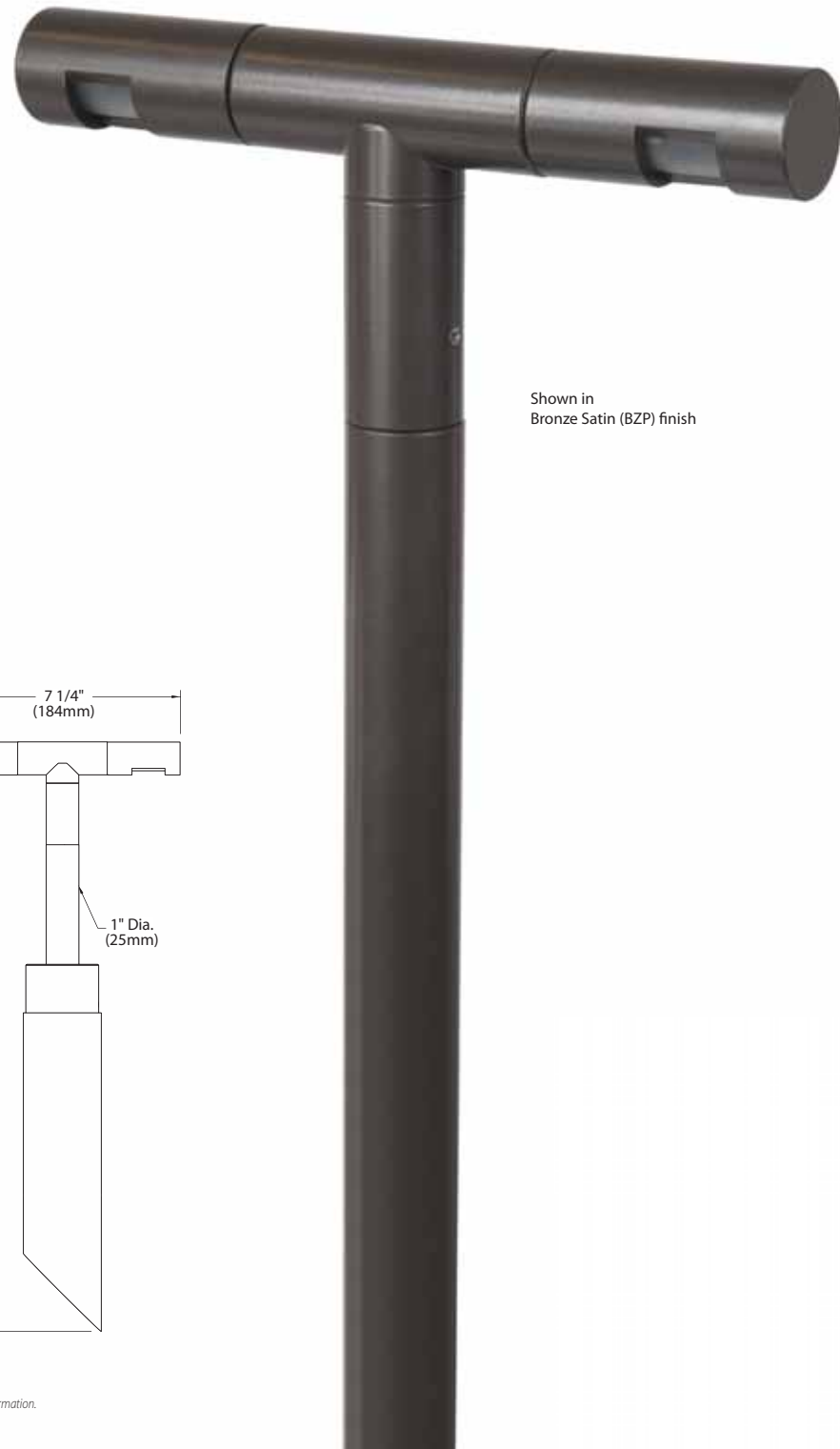
Power Supplies



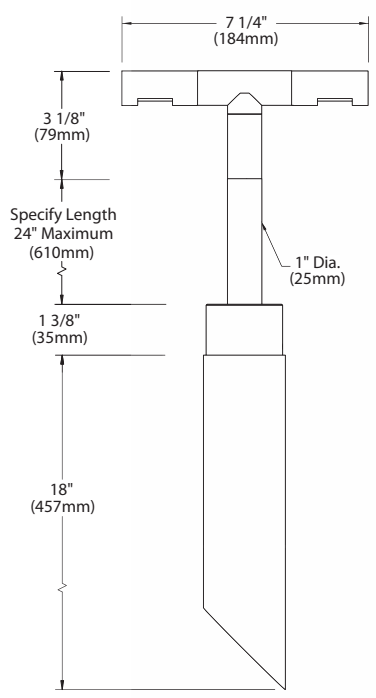
Options



Mounting



Shown in
Bronze Satin (BZP) finish



See page 318 for Catalog ordering information.

GLACIER™

GA



T4 Halogen

MATERIAL



FOR USE WITH



Power Supplies



Options



Mounting

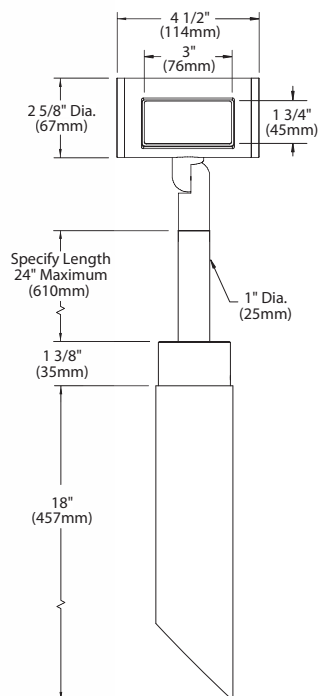
"Why do I use B-K? I have seen a lot of landscape lighting products and the thing that stands out to me about B-K luminares is quality. It is clear that B-K puts a lot of thought into the design of the components within each luminaire so that it not only looks good aesthetically, but also functions well in any environment it is used within. I know that I can rely on your products to stand up over time on projects that I work on and know that my clients will be happy with the end result. I appreciate the fact that B-K has a Dare-to-Compare program so that the end user can see the product in person, evaluate your fixtures against other potential options and understand why I am so passionate about using your products as a lighting design solution."

Michele Tse, Light Resource, BKU Fall 2011

B-K LIGHTING | PATH / AREA



Shown with optional Cutoff Visor
in Bronze Wrinkle (BZW) finish



Optional Cutoff Visor





B-K Lighting has dedicated itself as the premier recessed in-grade provider – not proven in the quantity of our numerous patents or technologically advanced designs – but in the multitude of world-class projects spanning the globe inspiring each and every night.



RECESSED | ground

m² FLUSH MOUNT MINI DRIVESTAR™

MD-F



MATERIAL



FOR USE WITH



Power Supplies



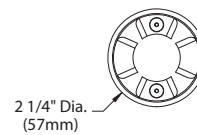
Options

“With the Flush Mount Mini DriveStar™, B-K Lighting has streamlined the concept of recessed in-grade lighting to perfection. I always keep DriveStar™ in mind for any situation, from urban plaza space to high end residential use.”

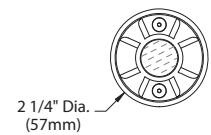
Michael Panich, The LA Group, BKU Spring 2013



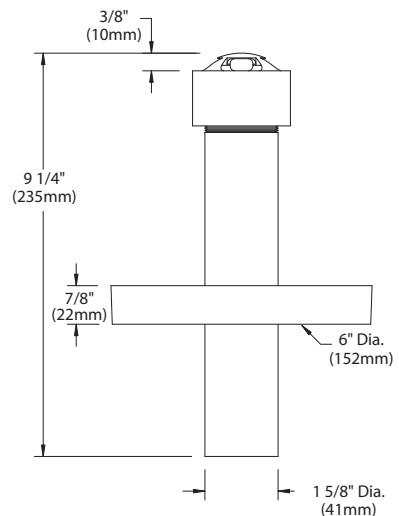
Flush Mount, Style 'A'
shown in
Weathered Iron (WIR) finish



Style 'A'



Style 'B'





MD-S

m² SURFACE MOUNT MINI DRIVESTAR™

"I love this fixture because it is a great, inconspicuous light for garden pathways. Ron (the boss) hates using bollards in our landscape designs... they are far too commercial and distracting. The Mini DriveStar™ lights the pathway while letting the plants shine."

Kimberly Stuart, Ron Rule Consultants Ltd., BKU Fall 2011



MATERIAL



FOR USE WITH



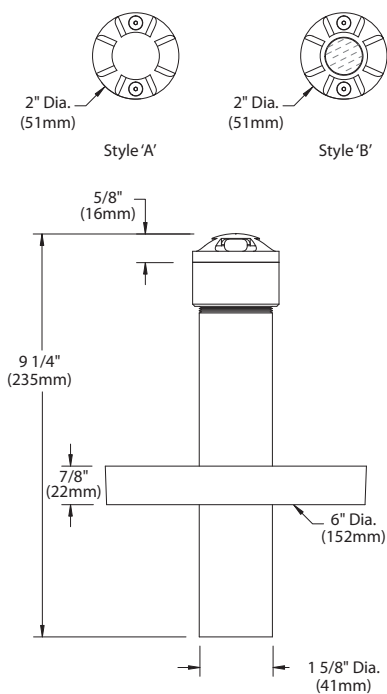
Power Supplies



Options

B-K LIGHTING | RECESSED GROUND

Surface Mount, Style 'A'
shown in
Clear Anodized Powder (CAP) finish



m² MINI-MICRO™ RECESSED UPLIGHT

UL-MM



MATERIAL



FOR USE WITH



Power Supplies



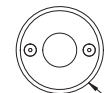
Options

"Every time we specify the Mini-Micro™ Recessed Uplight on a staircase, or along a wall, our clients have been ecstatic with the results. These small fixtures can add safety in areas where tripping might be a concern but do it in a stylish and refined way that's a bit unexpected in such a small profile. The fact that three material types are available in a highly efficient LED really shows B-K's forward thinking. The B-K Mini-Micro™ rocks!"

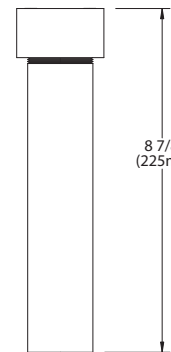
Gregg Mackell, 186 Lighting Design Group, BKU Fall 2010



Shown in Bronze Wrinkle (BZW) finish



2 1/4" Dia. (57mm)



1 5/8" Dia. (41mm)



UL-AR

ARTISTAR™ RECESSED UPLIGHT

"At one time I thought about B-K Lighting primarily as a manufacturer of exterior landscape lighting. As I've become more and more familiar with the high quality and superior performance of their products (thanks BKU!), I've come to realize that B-K does not fit neatly into that box. Their lighting products, while certainly sturdy enough to withstand some of the harshest outdoor environments, are also refined enough in both aesthetics and performance to allow for their use in all types of indoor architectural applications as well."

Corey Painter, First Light, BKU Fall 2011



MATERIAL



FOR USE WITH

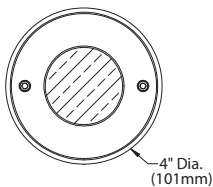


Power Supplies

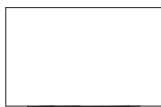


Options

B-K LIGHTING | RECESSED GROUND



4" Dia.
(101mm)



2 7/8" Dia.
(73mm)

11"
(279mm)

Shown in
White Wrinkle (WHW) finish



DENALI SERIES™ RECESSED UPLIGHT

UL-DE



MATERIAL



FOR USE WITH



Power Supplies



Options

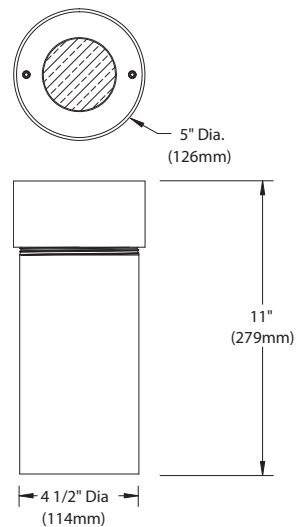
"Working in a coastal environment is such a pleasure, but it has its challenges as the salty air really deteriorates exterior fixtures. I never worry though when I use B-K. Their quality is second to none and I never have job problems. I even had a local hotel owner install B-K on his own home because he was so impressed with their quality!"

Annie Mitchell, OCS Lighting & Control, BKU Fall 2008

B-K LIGHTING | RECESSED GROUND



Shown in
Black Satin (BLP) finish





WS

WELL STAR™

"I love the Well Star™ because it is one of those low voltage archetypes that is simple in form and function and just works – again and again and again. Once this flow-through in-grade is installed the cast faceplate makes the fixture pretty much impregnable and there's no question or worry about tampering, durability or performance."

Lee Waldron, Grenald Waldron Associates



MATERIAL



FOR USE WITH



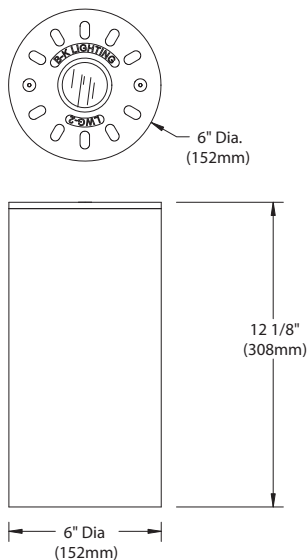
Power Supplies



Options

B-K LIGHTING | RECESSED GROUND

Shown in
Bronze Wrinkle (BZW) finish



ADJUSTABLE WELL STAR™

AW



MATERIAL



FOR USE WITH



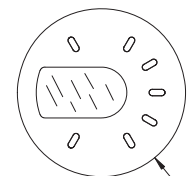
Power Supplies



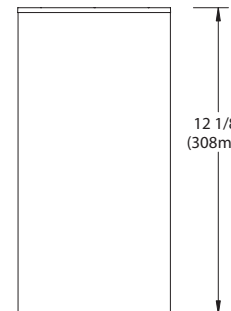
Options

"Our team specified the Adjustable Well Star™ for the Alameda Police Officer Memorial because of its evocative effects. The light provided a sense of beauty, honor and respect due to those who gave the ultimate sacrifice."

Tim Haley, Associated Lighting Representatives, Inc., BKU Summer 2012



6 5/8" Dia.
(168mm)



12 1/8"
(308mm)

Shown in
Bronze Wrinkle (BZW) finish

6 5/8" Dia.
(168mm)



SW

SQUARE ADJUSTABLE WELL STAR™

"I'm a big fan of the Square Adjustable Well Star™ because it at first appears to be a high end drainage screen but upon closer inspection it's a durable, dependable and finely manufactured flow-through luminaire. Did I mention that this fixture is not only walk but drive rated? Two source choices, including low voltage halogen and the incomparable solid state Adjust-e-lume® make the entire Well Star™ series a hands down winner."

Terry Krinsky, T K Landscape Architect, BKU Fall 2011

MATERIAL



FOR USE WITH



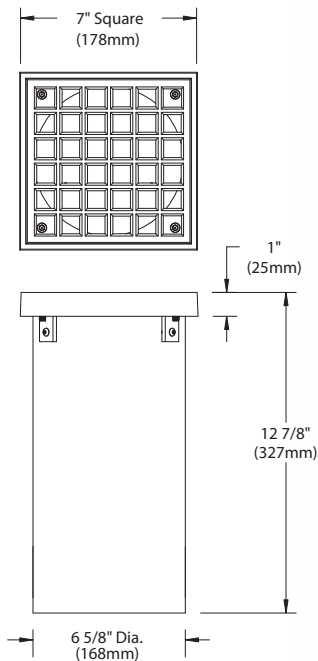
Power Supplies



Options



Shown in Machined (MAC) finish



B-K LIGHTING | RECESSED GROUND

INTEGRAL/REMOTE HP2™ (Flush)

HP2



Adjust-e-Lume®
(BKSSL™)

MR16 Halogen

GU10 Line Voltage

E16 Metal Halide

MATERIAL



FOR USE WITH



Power Supplies



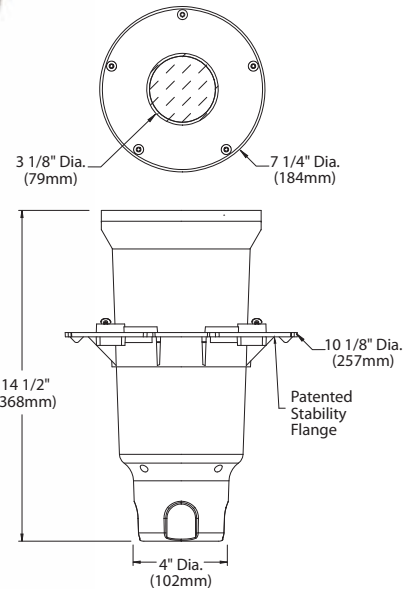
Options

"In-ground lighting, unlike normal lighting products, requires more than just a housing that holds a lamp... In-ground products need to be designed and engineered to protect the electrical components while delivering illumination performance consistently. I specify B-K Lighting products because they have invested the engineering dollars to insure that their in-ground products will withstand the harshness and demands of in-ground environments. As a lighting designer and electrical engineer, it's important to me and our firm's reputation that our product selections perform perfectly every night..."

Ralph Raya, Raya Lighting Design, Honorary BKU Alumnus, Spring 2013



Shown with MR16 Halogen lamp in Mitique™ Brass (MIT) finish





Adjust-e-Lume*
(BKSSL*)



MR16 Halogen



GU10 Line Voltage



ES16 Metal Halide

INTEGRAL/REMOTE CO₂™ (Flange)

“Getting a fixture with safe-guards such as Hydrolock Technology and anti-condensation control is a must when I specify a direct burial unit. The CO₂ series fixture provides those reassurances against common failures that we tend to see in direct burial units. This combined with the 35 degree adjustment, optional accessories and wattage options I have everything I need.”

Susan Jennings, Randy Burkett Lighting Design, Inc., BKU Alumnus Spring 2007



MATERIAL



FOR USE WITH



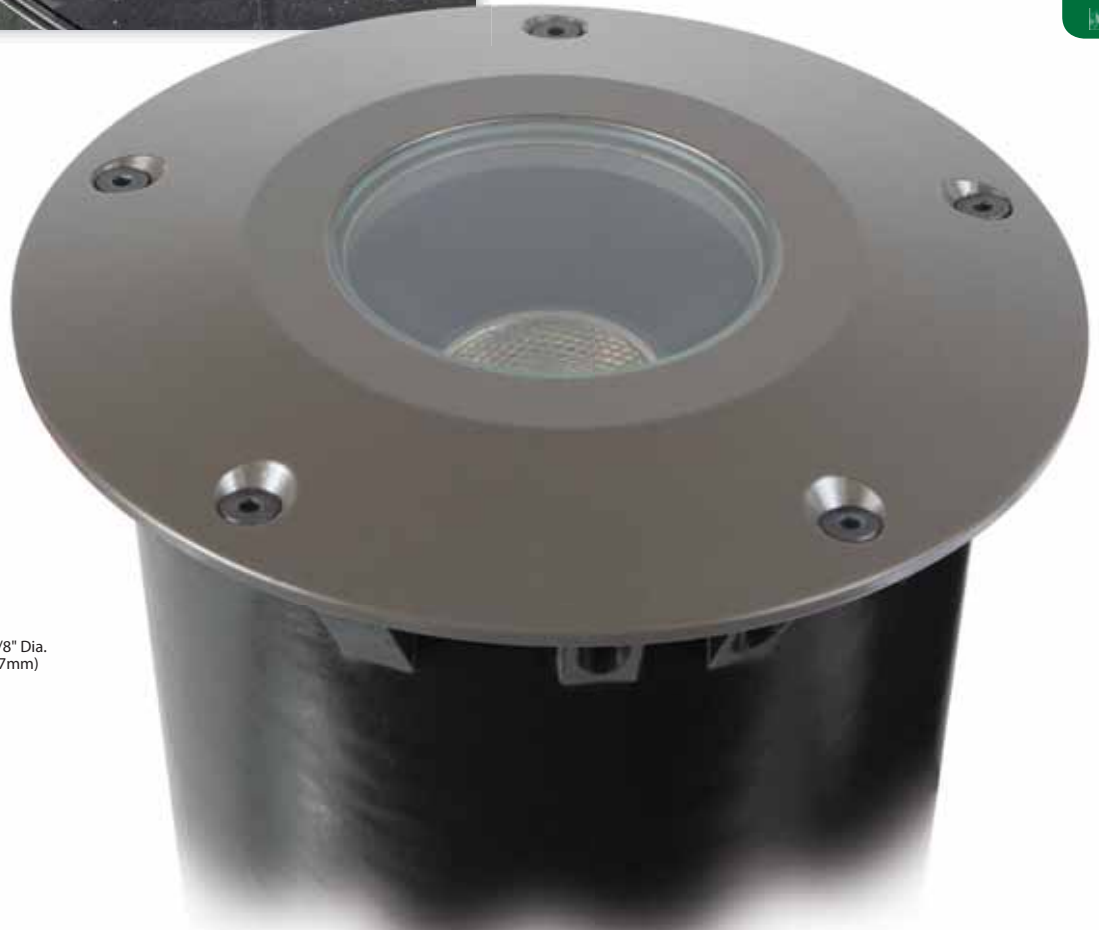
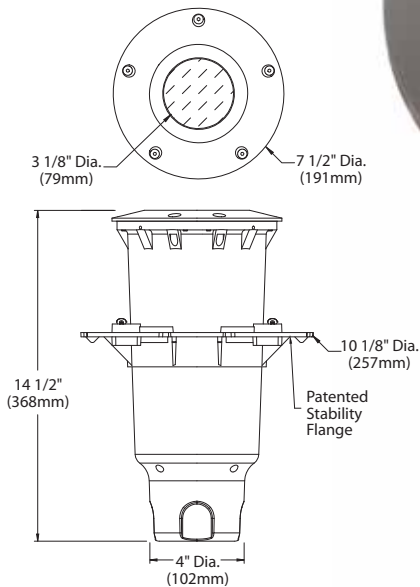
Power Supplies



Options

B-K LIGHTING | RECESSED GROUND

Shown with MR16 Halogen lamp
in Bronze Satin (BZP) finish



INTEGRAL/REMOTE HP2™ (Flush)

HP2



Power of 'X'
(BKSSL®)



Power of 'C'
(BKSSL®)



PAR20 Halogen



PAR30 Halogen



PAR20 Metal Halide



PAR30 Metal Halide

MATERIAL



FOR USE WITH



Power Supplies



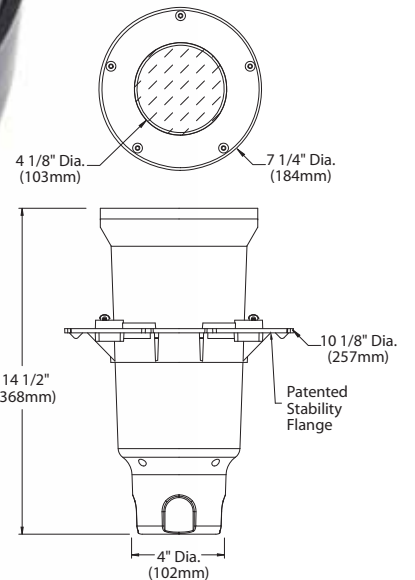
Options

"The HP2 Series has been a winner with legacy lamps for years. With the advent of BKSSL®, the product took another leap forward! B-K didn't rest on their feet, adding the Araya Color Tuning Technology which is incredible! I look forward to the fun opportunities of applying this product to the right project."

David Janney, Millies Engineering Group, BKU Fall 2013



Shown with BKSSL® Power of 'X' source in Clear Anodized (CAP) finish





INTEGRAL/REMOTE CO₂™ (Flange)

"I love the Precision2® well lights. The sealed wiring compartment in the deep housing makes Precision2® almost bullet proof."

Sunny St. Pierre, City Electric Supply, BKU Fall 2012



Shown with BKSSL® Power of 'X' source in Black Satin (BLP) finish

MATERIAL



FOR USE WITH

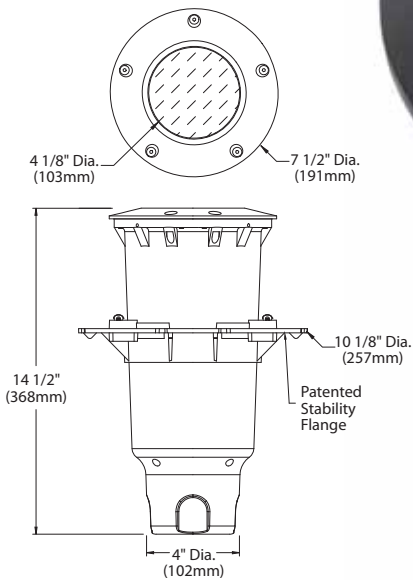


Power Supplies



Options

B-K LIGHTING | RECESSED GROUND



Precision2® and its features are covered in whole or in part various patents. Please see pages 286-289 for patent details. See pages 326-336 for Catalog ordering information.

INTEGRAL/REMOTE HP2™ (Flush)

HP2



PAR36 Halogen



AR111 Halogen



Compact Fluorescent



T4.5 Metal Halide



T6 Metal Halide



E17 Metal Halide



CDM-R111 Metal Halide

MATERIAL



FOR USE WITH



Power Supplies



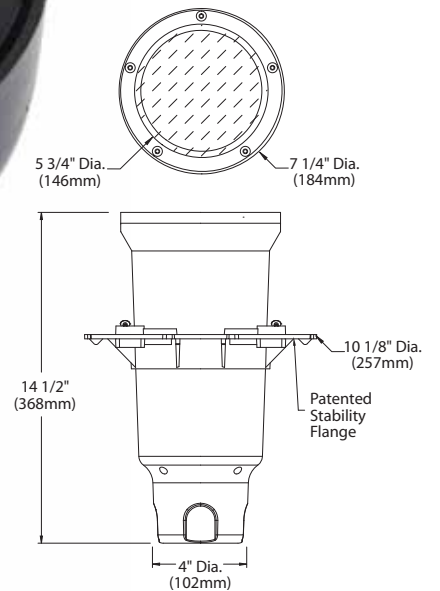
Options

"The HP2™ below grade fixture solves all the problems with water intrusion, with the ACV™ valve and HydroLock® plate system the fixture will keep water and condensation out. It also has good adjustability with many accessories options including the stability flange for different mounting conditions. In ground products need to be able to deal with some of the worst conditions in landscape lighting and the HP2™ gets it right."

Eric Johnson, Eric Johnson Associates, Inc., BKU Spring 2002



Shown with AR111 lamp in Black Chrome (BCM) finish





INTEGRAL/REMOTE CO₂™ (Flange)

"B-K lighting is to outdoor lighting like Kleenex would be to tissue paper. They've gotten to be a common reference by providing a quality product and backing it up with great customer support."

Jonas Kuo, Pritchard Peck Lighting, Summer 2014



MATERIAL



FOR USE WITH



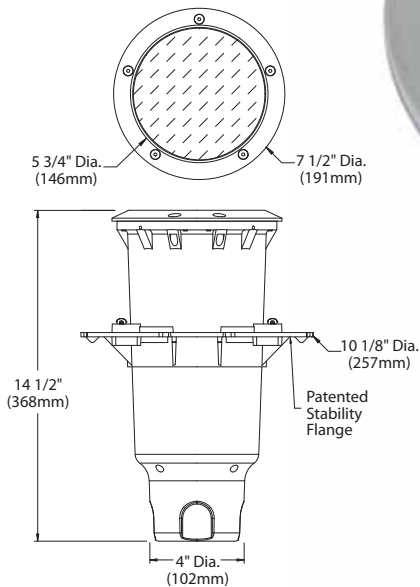
Power Supplies



Options

B-K LIGHTING | RECESSED GROUND

Shown with CDM-R111 lamp
in Satin Aluminum (SAP) finish



INTEGRAL/REMOTE HP2™ Offset^(Flush)

HP2-OS



MATERIAL



FOR USE WITH



Power Supplies

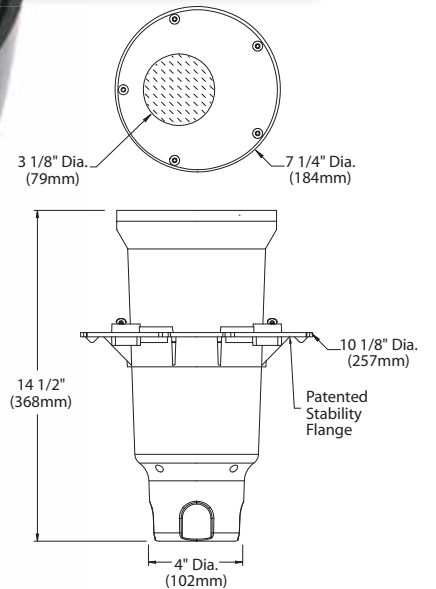
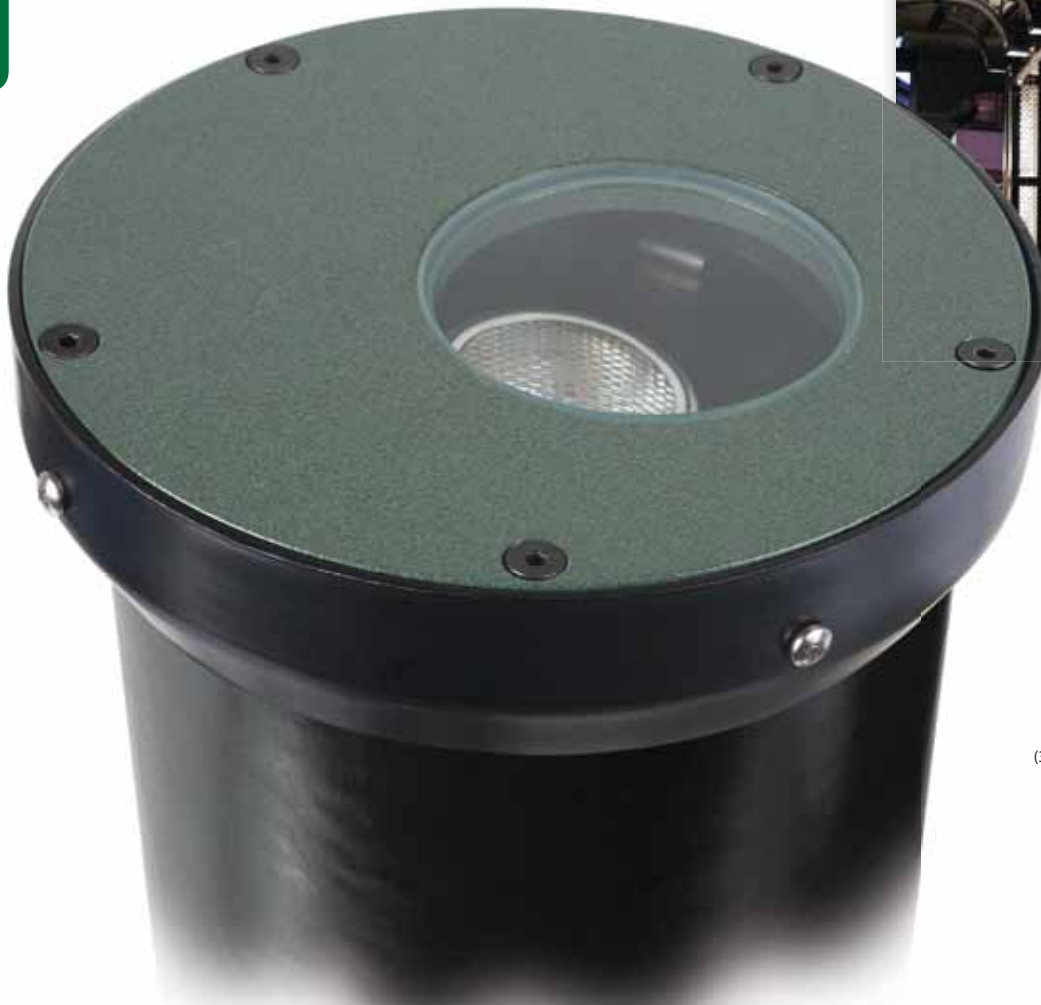


Options

"For 20 years of specifying outdoor related lighting I have not come across a company I can rely on more than B-K Lighting. My office spends a lot of time making specification decisions. We have to stand behind those decisions and resulting specifications. When we specify an HP2™ fixture, a flush in-grade installation, we know this fixture type is known to clients as a maintenance problem. Not when it comes to B-K products. It is nice to have the support of the people at B-K to back our office with quality products enhancing the services we offer our clients. My office likes the support, quality, innovation, customization if necessary, research, and striving to be on the leading edge of lighting related to the exterior environments we design."

Andy Lang, Lang Lighting Design, Inc., BKU Fall 2002

Shown with ES16 Metal Halide lamp
in Verde (VER) finish





CO2-OS

INTEGRAL/REMOTE CO2™ Offset (Flange)

"I always use B-K products based on my experience with their superior product. Tree up-lights both in above grade and recessed are a favorite to use in landscape lighting design. Usually, I use two lights per tree to have complete coverage and a light-sculpted trunk, but also have had success with only one fixture per tree. My newest favorite is the tree uplight using LED. LED in 3000k renders trunks and leaves both in a very flattering light."

Bruce Yarnell, Yarnell Associates, BKU Spring 2003



Shown with GU10 lamp
in Black Wrinkle (BLW) finish

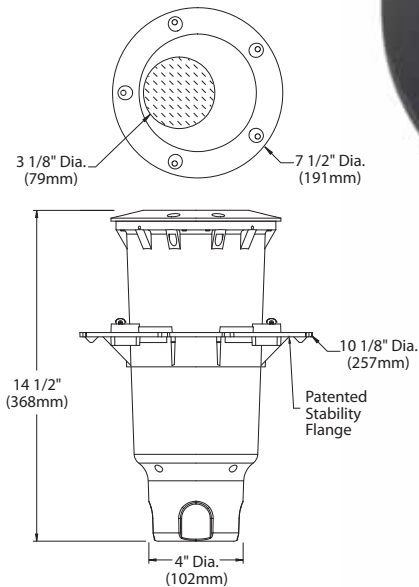
MATERIAL



FOR USE WITH



B-K LIGHTING | RECESSED GROUND



REMOTE SHALLOW HP2™ (Flush) **HP2-RS**



MATERIAL



FOR USE WITH



Power Supplies



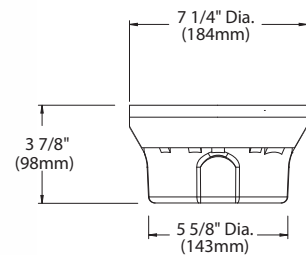
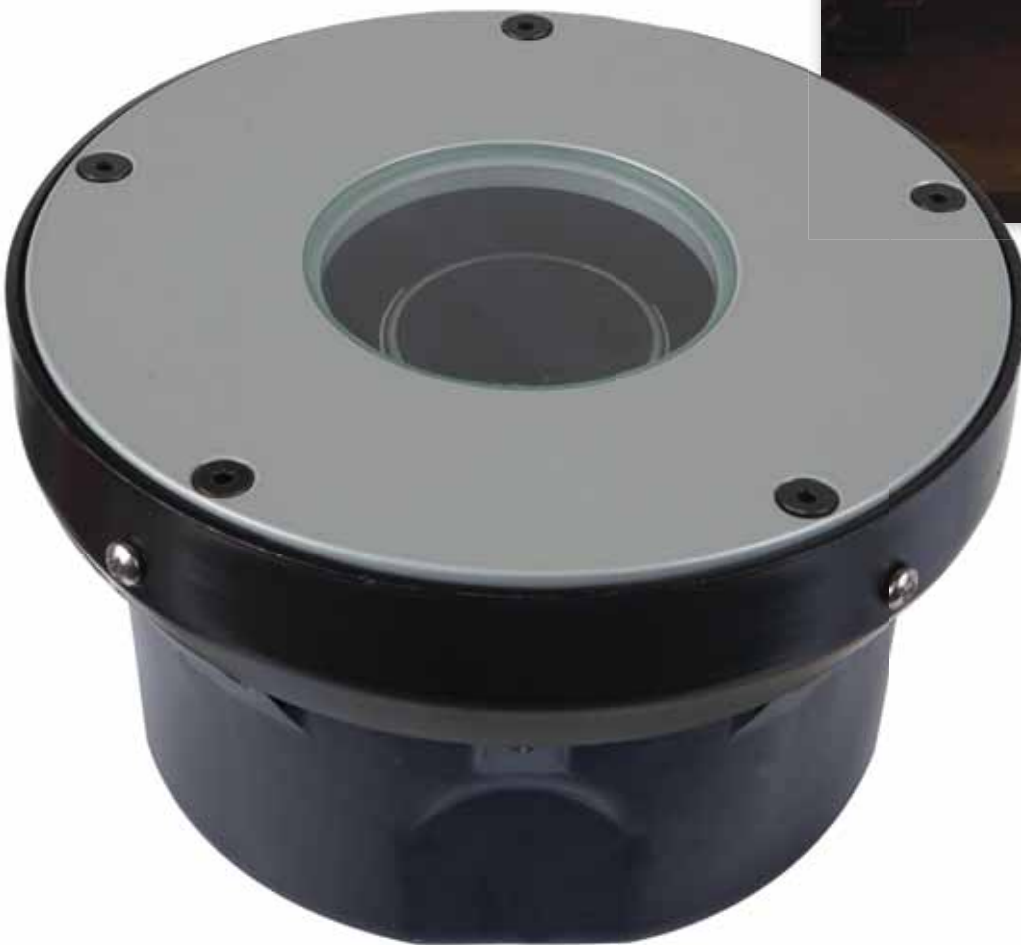
Options

“Only twice in my professional lighting career have I ever received unsolicited letters from contractors praising the design and integrity of a luminaire...both times for B-K Lighting fixtures.”

Glenn Pacé, SLS Group Industries Inc., BKU Spring 2008



Shown with optional Accessory Holder and Honeycomb Baffle in Satin Aluminum (SAP) finish





CO2-RS

REMOTE SHALLOW CO2™ (Flange)

"B-K makes a quality fixture with attention to fine details. They listen to what the design community needs in a fixture and they always find a way to make what the client wants – and make it better. Quality, performance, dedication to a superior product while being green, is the excellence of B-K Lighting."

Leslie Siegel, Associated Lighting Representatives, Inc., BKU Spring 2010



MATERIAL



FOR USE WITH



Power Supplies

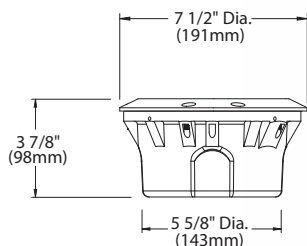


Options

B-K LIGHTING | RECESSED GROUND



Shown with AR111 Halogen lamp
Black Chrome (BCM) finish



Precision2® and its features are covered in whole or in part various patents. Please see pages 286-289 for patent details. See pages 325-331 for Catalog ordering information.

INTEGRAL/REMOTE DRIVESTAR2™

DR2



MATERIAL



FOR USE WITH



Power Supplies



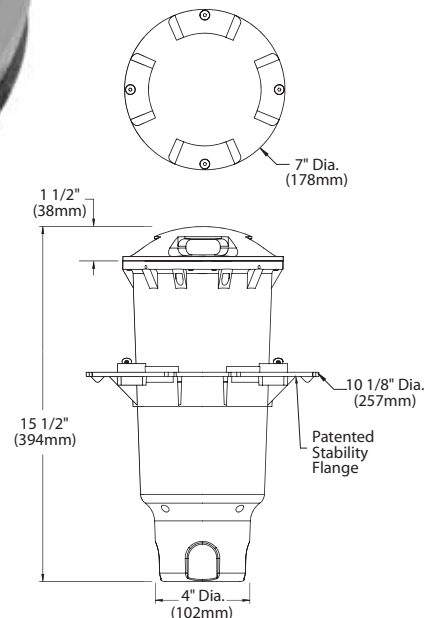
Options

"I have relied on B-K's superior quality and commitment to engineering excellence for years."

Claudia Librett, 521 Atelier



Shown with 4 optical openings option in Satin Aluminum (SAP) finish





T4.5 Metal Halide



T6 Metal Halide

DR2

INTEGRAL/REMOTE DRIVESTAR2™

"I appreciate that B-K Lighting always looks for simple solutions to problems, no matter how large or small, simple or complex."

Evelyn Alford McGowan, Morr-Sharp Associates, LLC, BKU Spring 2003



MATERIAL



FOR USE WITH

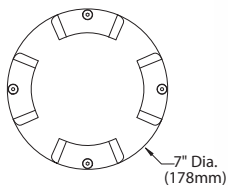


Power Supplies

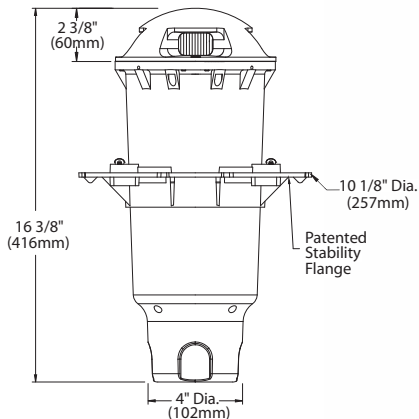


Options

Shown with 4 optical openings option in Black Wrinkle (BLW) finish



7" Dia. (178mm)



Precision2® and its features are covered in whole or in part various patents. Please see pages 286-289 for patent details. See page 323 for Catalog ordering information.

REMOTE SHALLOW DRIVESTAR2™

DR2-RS



MATERIAL



FOR USE WITH



Power Supplies



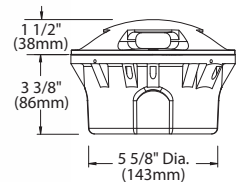
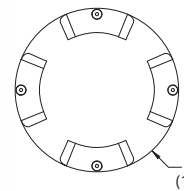
Options

“With attention to detail, innovative technologies, and product durability to withstand even the most challenging outdoor environments, B-K Lighting far surpasses any other manufacturer in the industry.”

Brienne Sulzer, Enterprise Lighting Sales, BKU Fall 2013



Shown with 2 optical openings option in Bronze Wrinkle (BZW) finish





T6 Metal Halide

DR2-RS

REMOTE SHALLOW DRIVESTAR2™

“When you specify landscape and exterior lighting, you are not only buying performance, longevity but a quality astatic addition to your project. B-K offers high performance, adjustable LED’s and a fixture with a long life.”

Wanda Richard-Cox, Swaney Lighting Associates, Inc., BKU Spring 2014



MATERIAL



FOR USE WITH



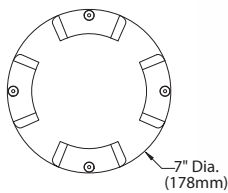
Power Supplies



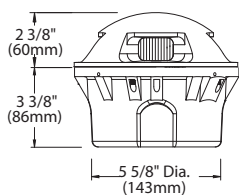
Options

B-K LIGHTING | RECESSED GROUND

Shown with 1 optical opening option
in Machined Stainless Steel (MAC) finish



7" Dia.
(178mm)







TY2

TENAYA2®

"Many manufacturers make good quality exterior-grade lighting products; a few make great quality lighting products; then there's B-K. Few manufacturers possess B-K's unique combination of technical support and manufacturing adaptability. What really sets B-K apart from the competition is their uncanny ability to explain every technical and application aspect of their products in the clearest terms possible. Working with B-K has helped define for us the kind of manufacturer we treat as partners on our projects."

Domingo Gonzalez, Domingo Gonzalez Associates

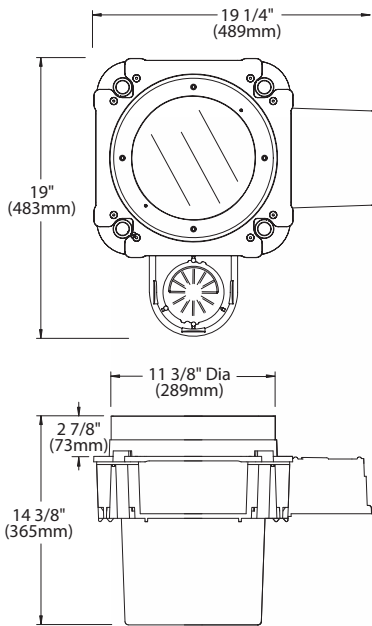
MATERIAL



FOR USE WITH



Options



TY2™ with Junction Box and Power Supply Enclosure

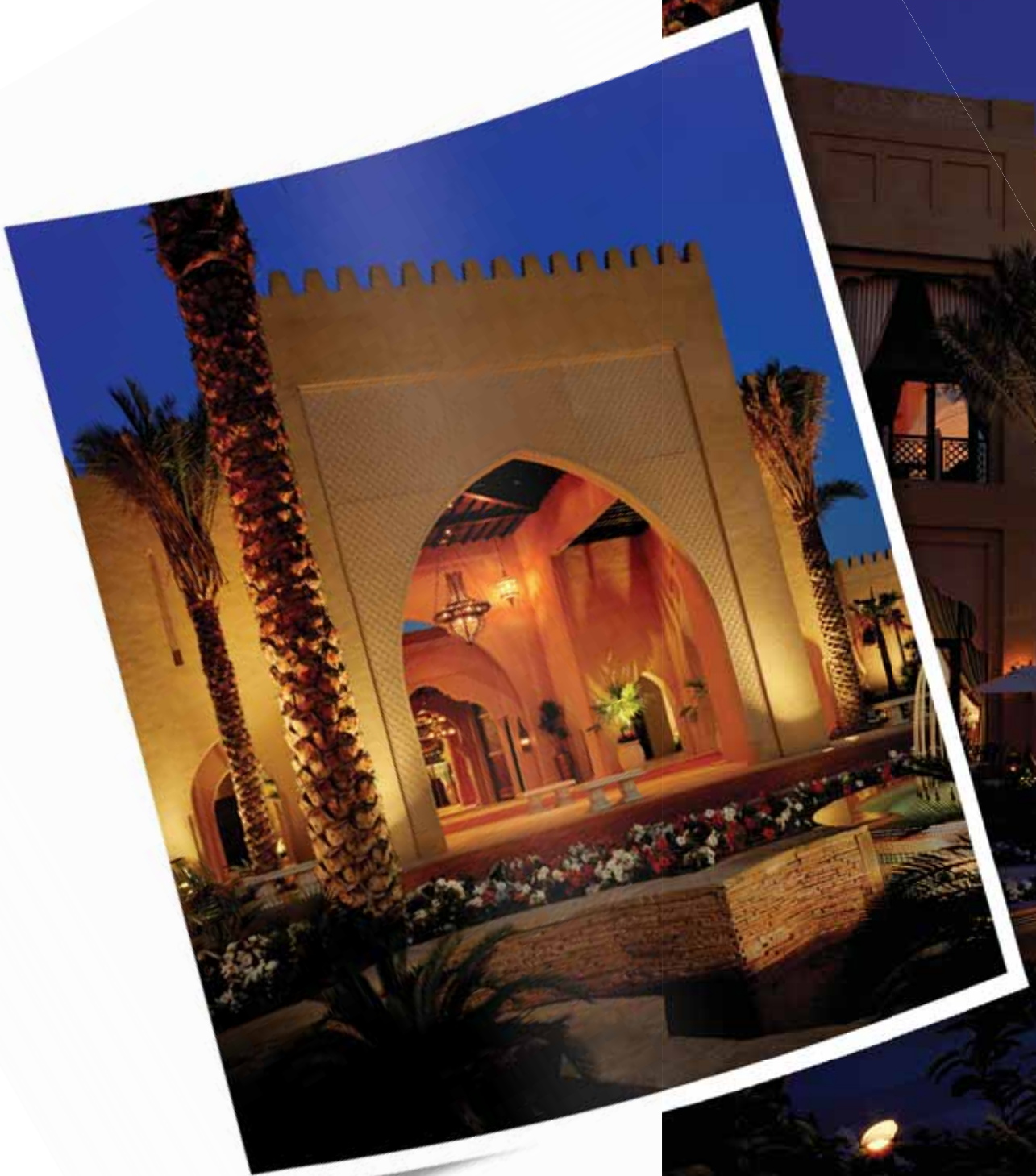
Shown in Black Satin (BLP) finish



B-K LIGHTING | RECESSED GROUND

"Architecture is the learned game, correct and magnificent,
of forms assembled in the light"

Le Corbusier, Architect
1887 – 1965













“For there are two possible reactions to social ostracism - either a man emerges determined to be better, purer, and kindlier or he goes bad, challenges the world and does even worse things.”

*John Steinbeck, Author
1902 – 1968*





Edward F. Felt
41
Matawan, NJ

Colleen
S
Elizabeth

Andrew
Portola

MEMORIAL

“There are three responses to a piece of design – yes, no, and WOW! Wow is the one to aim for.”

Milton Glaser, Designer













“Design is defined by light and shade, and appropriate lighting is enormously important.”

*Albert Hadley, Designer
1920 – 2012*





"A building, from the structural point of view, is a specially designed instrument for dramatic production. Intelligent planning of the building will allow for special features which help eliminate the tremendous physical limitations that are imposed on the use of light."

*Stanley McCandless, Lighting Designer
1897 – 1967*











“Find the simple story in the product, and present it in an articulate and intelligent, persuasive way.”

*Bill Bernbach, Designer
1911 – 1982*

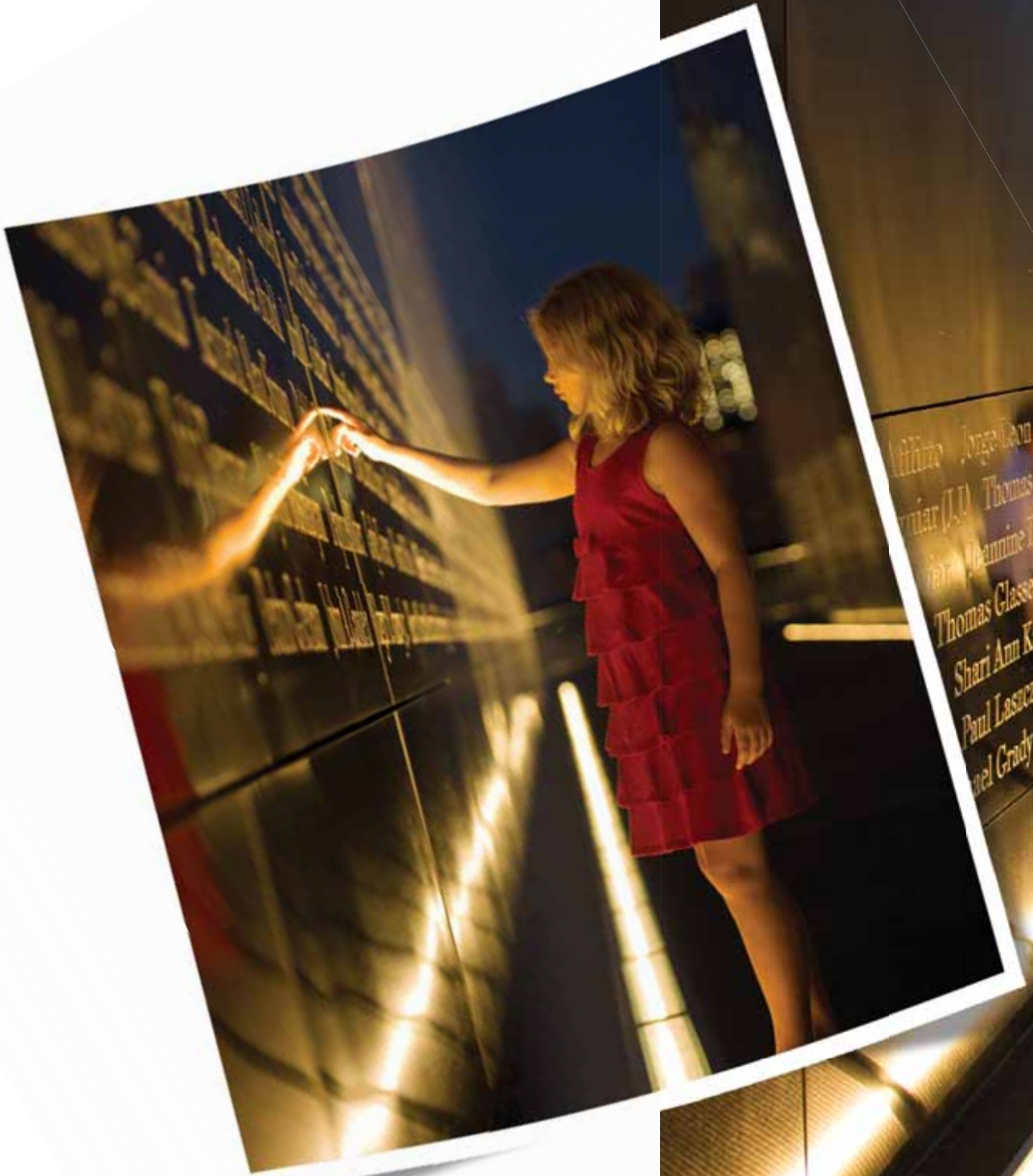






| "Simply, then add lightness."

Colin Chapman, Designer
1928 – 1982



Alfina Jorge Leon Jane Sandoz Scott Scott
Cruier (L) Thomas Barnes Reing Ann Susan Bell
Marianne Damiani-Jones Debra Lynn Fisher
Thomas Glasser John Adam Larson Joseph Lerry
Shari Ann Kandell James Madary Jr. Patrick A
Paul Laszczyński Bobby Wiza Christopher M
Lael Grady Luke Dudes Michael Patrick Baker









“There is something bigger and more worthwhile than the things we see about us, the things we live by and strive for. There is an undiscovered beauty, a divine excellence, just beyond us. Let us stand on tiptoe, forgetting the nearer things and grasp what we may.”

*Bernard Maybeck, Architect
1862 – 1957*

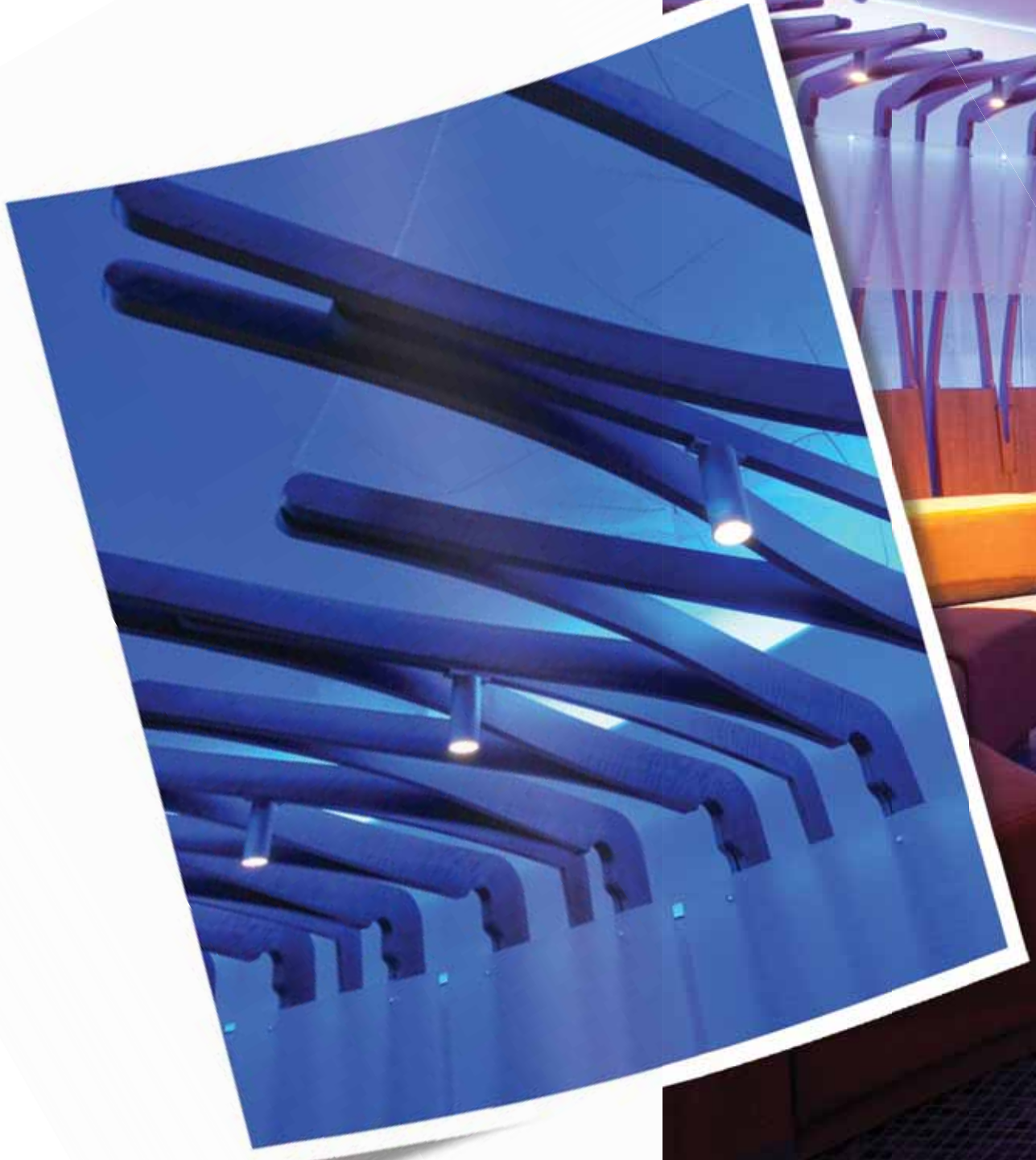






“Sometimes changing our preconceptions about the way things are is the absolute best way to learn.”

*Ron Naus, B-K Lighting
1967 – 2014*







Lifestyle Boutique





“When I am working on a problem, I never think about beauty. I only think about how to solve the problem. But when I have finished, if the solution isn't beautiful, I know it is wrong.”

*Richard Buckminster Fuller, Architect
1895 – 1983*







"The enjoyment of scenery employs the mind without fatigue and yet exercises it tranquilizes it and yet enlivens it and thus, through the influence of the mind over the body gives the effect of refreshing rest and reinvigoration."

*Federick Law Olmsted, Landscape Architect,
1822 – 1903*







"I predict that very shortly the old-fashioned incandescent lamp, having a filament heated to brightness by the passage of electric current through it, will entirely disappear."

*Nikola Tesla, Inventor
1856 – 1943*





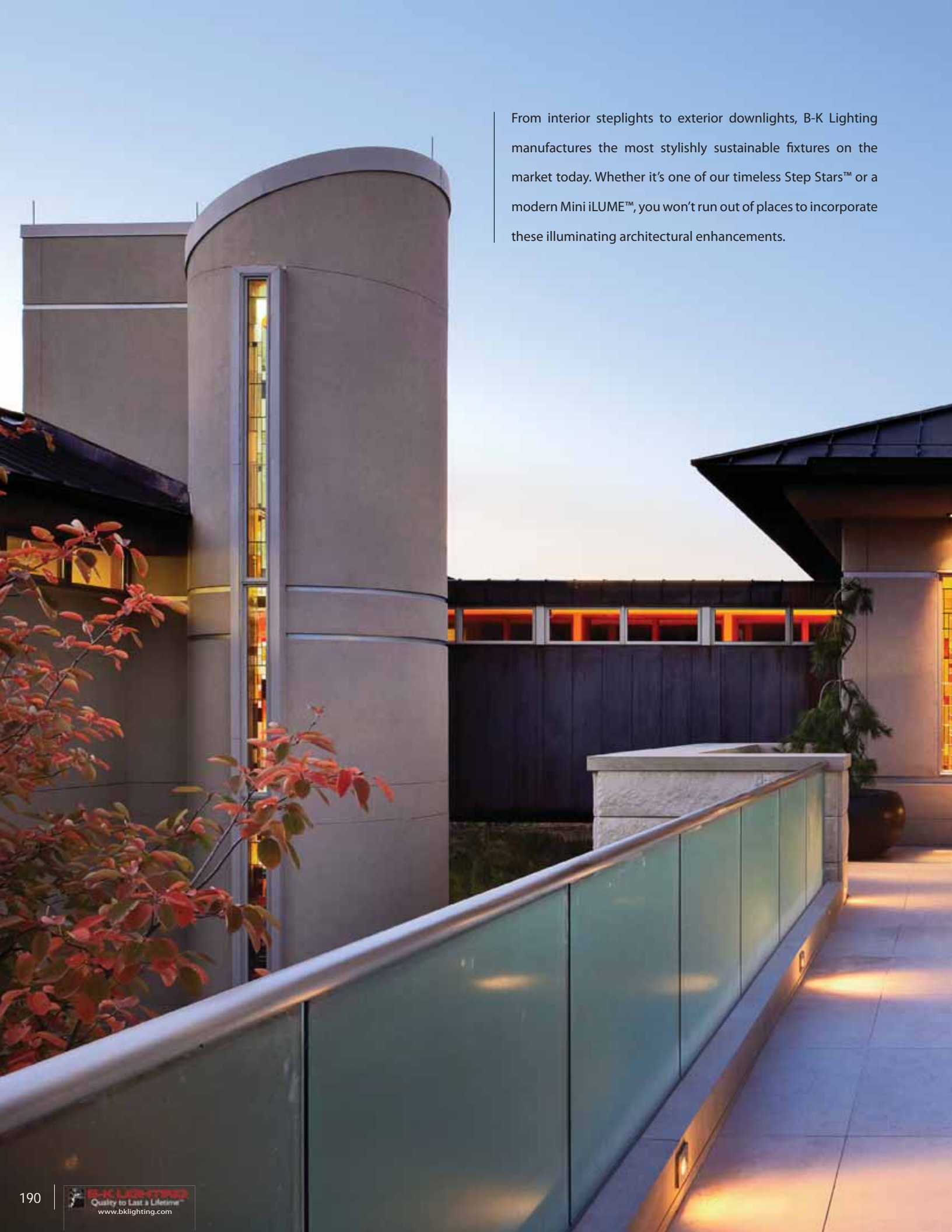


"Care should be taken that all buildings are well lighted: in those of the country this point is easily accomplished."

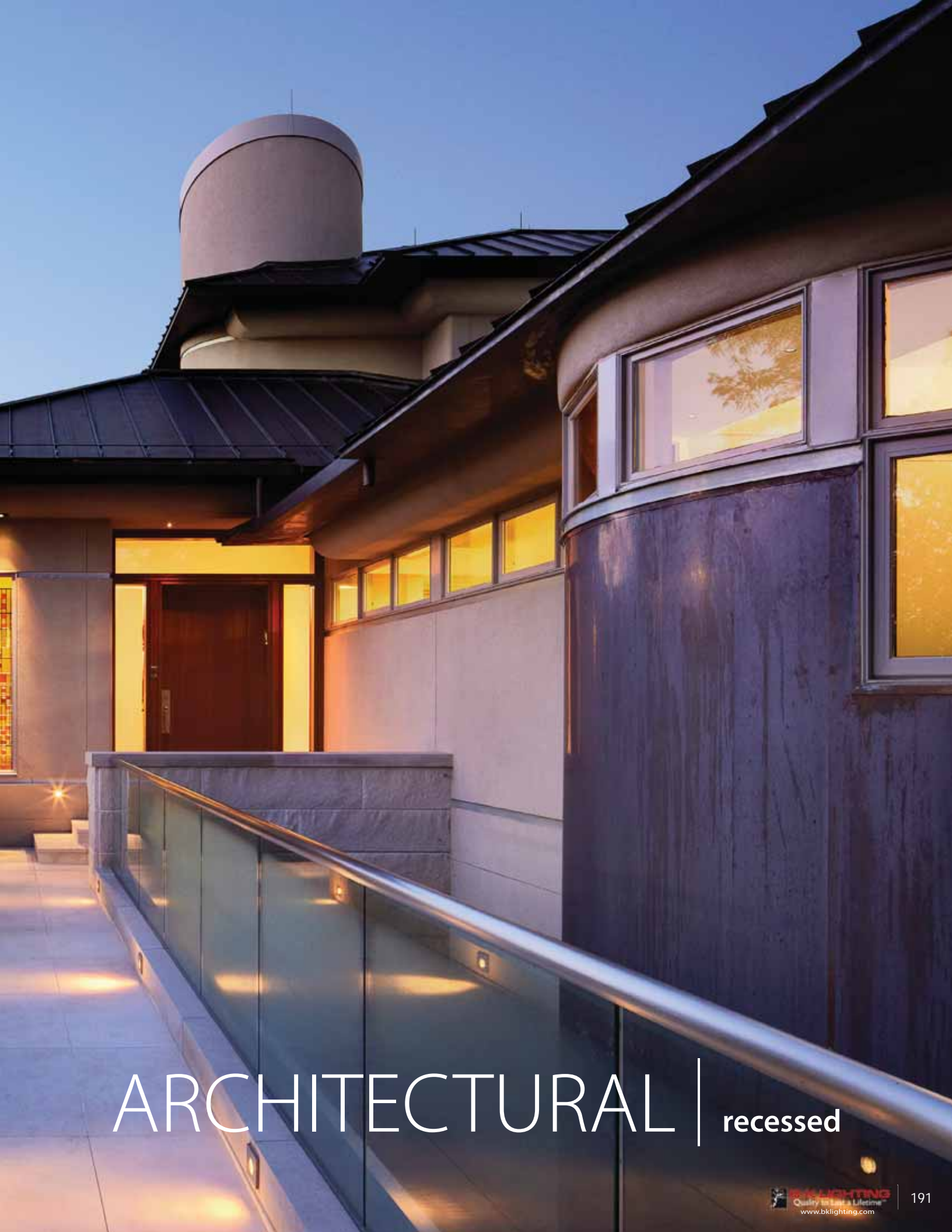
Vitruvius, Engineer
70 BC – 15 BC







From interior steplights to exterior downlights, B-K Lighting manufactures the most stylishly sustainable fixtures on the market today. Whether it's one of our timeless Step Stars™ or a modern Mini iLUME™, you won't run out of places to incorporate these illuminating architectural enhancements.



ARCHITECTURAL | recessed

m² INVISI MINI iLUME™

MI-1



MATERIAL



FOR USE WITH



Power Supplies



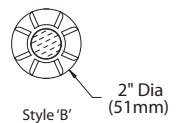
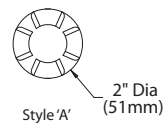
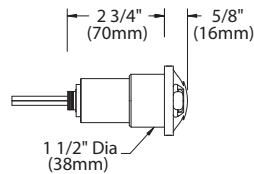
Options

"I specify B-K for their simple designs, high quality workmanship, advanced technology, great finish options, as well as a functional web site."

Terry Ohm, Ohm Lighting, BKU Spring 2003



Invisi™ mount
shown in Satin Aluminum
(SAP) finish





B-K LIGHTING | ARCHITECTURAL RECESSED





MI-F/MI-S

m² FLUSH/SURFACE MINI iLUME™

"The Mini iLume™ afforded us a great solution to a constraining existing condition without sacrificing illumination. This light fixture was placed within the mortar joints of a historic garden's coral rock wall. The finish and size of this fixture was perfect as it almost disappears within the rock, and focuses attention to the light effect, while preserving the historic integrity of the wall."

Adriana Savino, Savino & Miller Design Studio



MATERIAL



FOR USE WITH



Power Supplies

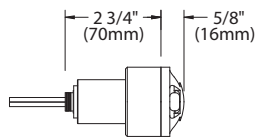


Options

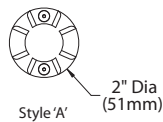
Surface Mount shown
in White Satin (WHP) finish
with optional 'B' aperture



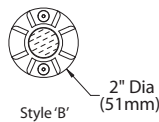
Flush Mount shown in
Brass Mitique™ (MIT) finish



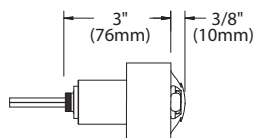
Surface Mount



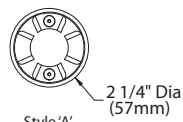
Style 'A'



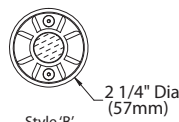
Style 'B'



Flush Mount



Style 'A'



Style 'B'

m² MINI-MICRO™ RECESSED DOWNLIGHT

DM



MATERIAL



FOR USE WITH



Power Supplies



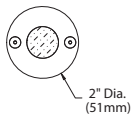
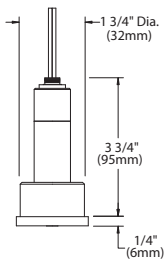
Options



Shown in Satin Aluminum (SAP) finish

“Quality and sustainability are non-negotiable when I specify exterior light fixtures which is why I specify B-K Lighting. I know when I visit a site years later, the last thing I need to worry about are my B-K fixtures.”

Melissa Sparks, CD+M Lighting Design Group, LLC, BKU Spring 2012





CM

m² MINI-MICRO™ STEP STAR™

“The first time you hold one of the solid brass fixtures from B-K Lighting, you realize the quality due to the weight and beautiful finish. The mitique brass finish is beautiful for stained wood applications.”

Erin Sudderth, Banks | Ramos Architectural Lighting Design, BKU Spring 2012



Shown in
Brass Mitique™ (MIT) finish



MATERIAL



FOR USE WITH

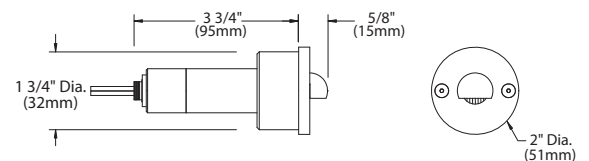


Power Supplies



Options

B-K LIGHTING | ARCHITECTURAL RECESSED



YACHT STAR™

YS



MATERIAL



FOR USE WITH



Power Supplies



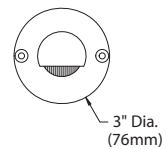
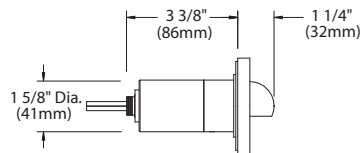
Options

"Simple yet elegant, the Yacht Star™ has exceeded expectations when lighting stairways and seating walls. Our clients have been thrilled and so have we. When I think of landscape lighting B-K is on the top of my list."

Eric Dorsch, Wesley Stout Associates, LLC, BKU Fall 2013



Shown in
Bronze Satin (BZP) finish





Power of 'e'
(BKSSL™)



MR11 Halogen

YSL

LOUVERED YACHT STAR™

"B-K Lighting is such a high quality operation, it is hard to put it into words. From the people that work at the factory to the products that they produce, there is nothing left to chance. It is an innovative company that is extremely detail oriented, and driven by the quality of the products. I genuinely enjoy working with B-K Lighting."

Thomas Nichols, SESCO Lighting, Inc., BKU Fall 2013



MATERIAL



FOR USE WITH



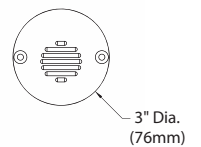
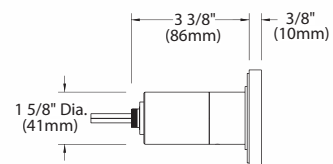
Power Supplies



Options



Shown in
Machined Stainless Steel (MAC) finish



B-K LIGHTING | ARCHITECTURAL RECESSED

CH CHART STAR™



MATERIAL



FOR USE WITH



Power Supplies



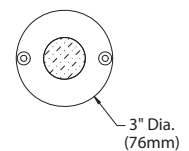
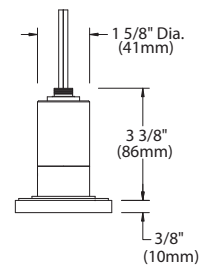
Options

“Our clients have faced recent challenges of providing more with less. With B-K Lighting fixtures we know we can meet our clients’ goals of high quality, high performance and longevity while accomplishing the many tasks required for safe, welcoming and effective lighting solutions. B-K’s quiet, timeless designs blend seamlessly within historic districts as well as new higher education and corporate campus settings.”

Joan MacLeod, Damon Farber Associates, BKU Fall 2013



Shown in
Satin Aluminum (SAP) finish





Power of 'e'
(BKSSL)



MR11 Halogen

CHL

LOUVERED CHART STAR™

"The creativity and craftsmanship from the design team down thru the manufacturing staff shines in their product lines."

Julia Gordon, Schuler Shook, BKU Fall 2008



Shown in
Brass Mitique™ (MIT) finish

MATERIAL



FOR USE WITH

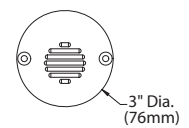
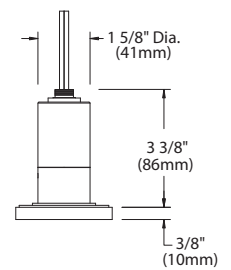


Power Supplies



Options

B-K LIGHTING | ARCHITECTURAL RECESSED



STEP STAR™

SS



MATERIAL



FOR USE WITH



Power Supplies



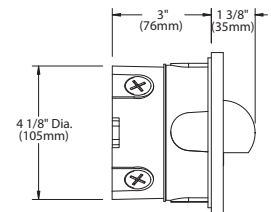
Options

"We specified the Step Star™ not only for this dimensional compatibility but also for its non-directional circular face plate. The Step Star™ has good light distribution, producing an even wash of light on the wall as well as the paving, and the domed light shield controls glare nicely."

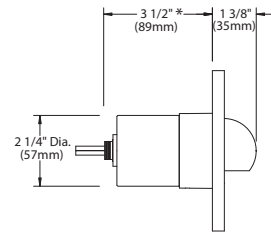
Jib Chapman, Loebel Schlossman & Hackl, BKU Fall 2009



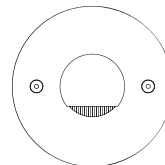
Shown in Brass Mitique™ (MIT) finish



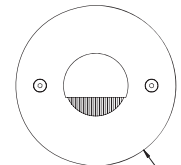
Back Box with Aim & Lock Optics



Core Drill



Faceplate Cutoff A
68° Cutoff (Short)



Faceplate Cutoff B
90° Cutoff (Long)
5" Dia. (127mm)



Adjust-e-Lume®
(BKSSL®)



MR16 Halogen



GU10 Line Voltage

SSL

LOUVERED STEP STAR™

"There's something to be said for a company in this day and age where every employee puts their heart and soul into the products. You feel it in the sheer weight of the fixture when you pick it up, you see it in the craftsmanship of each unit and you experience it when the sun goes down and it's performance outshines the rest. That's just the B-K way."

Sylvia Perdikis, Apex Lighting Solutions, LLC, BKU Fall 2010



Shown in
Machined Stainless Steel (MAC) finish

MATERIAL



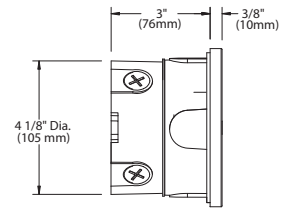
FOR USE WITH



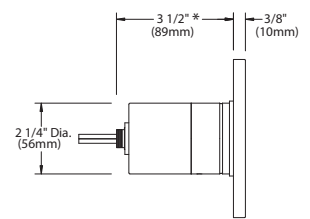
Power Supplies



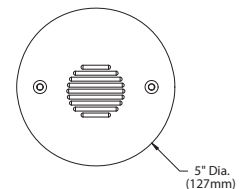
Options



Back Box
with Aim & Lock Optics



Core Drill



B-K LIGHTING | ARCHITECTURAL RECESSED

*Dimension shown for Adjust-e-Lume®/MR16 Halogen coredrill body. GU10 coredrill body dimension 4" (102mm). Backbox option available in Adjust-e-Lume® and MR16 Halogen only. See page 349 for Catalog ordering information.

SQUARE STEP STAR™



MATERIAL



FOR USE WITH



Power Supplies



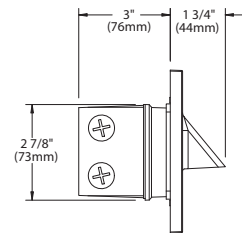
Options

"When thinking of B-K Lighting there's a lot of "good" in my mind based on a history of QUALITY and INNOVATION. B-K's products are, and always have been at the tip of the spear in both categories. In a world of mergers, with corporate leadership coming and going, the fact B-K's original founders are still running the operation is a testament these qualities are cultural within B-K and will remain so."

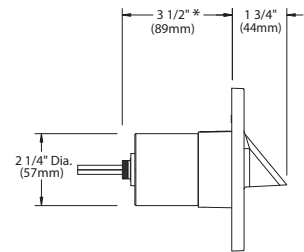
George Bovee, JTH Lighting Alliance, BKU Fall 2005



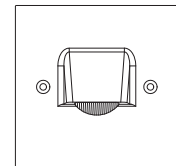
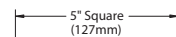
Shown with Black Wrinkle (BLW) finish



Back Box with Aim & Lock Optics



Core Drill







B-K LIGHTING | ARCHITECTURAL RECESSED



Adjust-e-Lume®
(BKSSL®)



MR16 Halogen



GU10 Line Voltage

SQL

LOUVERED SQUARE STEP STAR™

"B-K Lighting products are bulletproof; they are the Rolls Royce of landscape lighting. When I have a client that looks for quality, it's a no brainer. For me it's all about reliability and the beauty of design."

Jeffrey Gordon Smith, Jeffrey Gordon Smith Landscape Architect, BKU Fall 2010

MATERIAL



FOR USE WITH

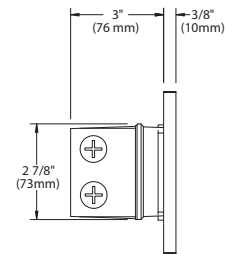


Power Supplies

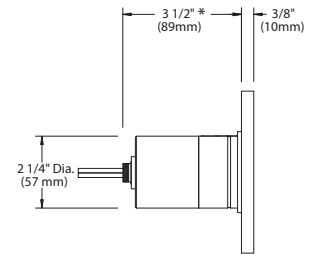


Options

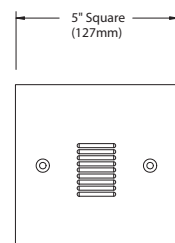
Shown with
Black Wrinkle (BLW) finish



Back Box
with Aim & Lock Optics



Core Drill



B-K LIGHTING | ARCHITECTURAL RECESSED

*Dimension shown for Adjust-e-Lume®/MR16 Halogen coredrill body. GU10 coredrill body dimension 4" (102mm). Backbox option available in Adjust-e-Lume® and MR16 Halogen only. See page 350 for Catalog ordering information.

BRICK STAR™

BQ



MATERIAL



FOR USE WITH



Power Supplies

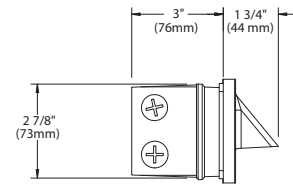


Options

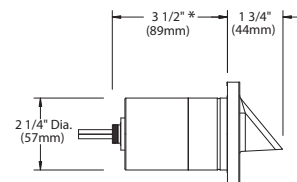
"A simple, clean, and elegant fixture was needed for a major new healthcare project. The Brick Star™ LED is a perfect choice, contributing an even, low-level illumination, with the added benefits of durability and energy efficiency."

Mark Johnson, SMRT, BKU Fall 2012

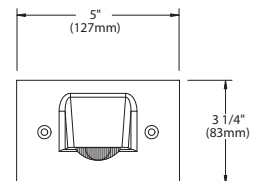
Shown with
Bronze Wrinkle (BZW) finish



Back Box
with Aim & Lock Optics



Core Drill





B-K LIGHTING | ARCHITECTURAL RECESSED





BQL

LOUVERED BRICK STAR™

"B-K Lighting has a keen understanding of the lighting design profession – they understand that the best lighting fixture is one that doesn't detract from its host architecture. This low rock wall provided the perfect opportunity for the simple Brick Star™ to light the way."

Donna Best, d. Best Light Specification, BKU Fall 2003

MATERIAL



FOR USE WITH

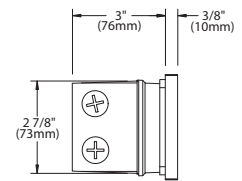


Power Supplies

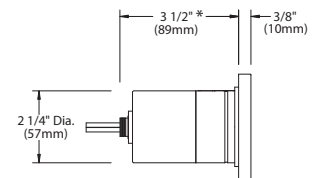


Options

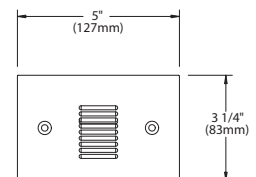
Shown in
Machined Stainless Steel (MAC) finish



Back Box
with Aim & Lock Optics



Core Drill



*Dimension shown for Adjust-e-Lume®/MR16 Halogen coredrill body. GU10 coredrill body dimension 4" (102mm). Backbox option available in Adjust-e-Lume® and MR16 Halogen only. See page 344 for Catalog ordering information.

VERTICAL BRICK STAR™

VB



MATERIAL



FOR USE WITH



Power Supplies



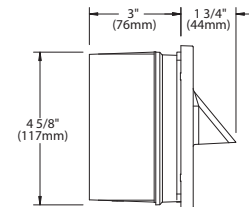
Options

“Clean profile with a nice eyelid that prevents glare and hot spots. I use it most on projects with stairs as it lights projects nicely without unsightly hot spots. The faceplate provides a clean profile with a nice flush reveal.”

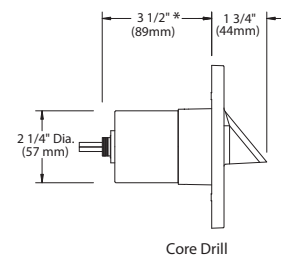
Randall Whitehead, Randall Whitehead Lighting Solutions, BKU Fall 2002



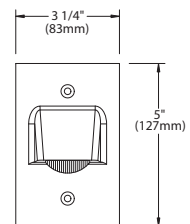
Shown in
Machined Brass (MAC) finish



Back Box
with Aim & Lock Optics



Core Drill





VBL LOUVERED VERTICAL BRICK STAR™

"One word that comes to mind when we think about B-K Lighting is "Confidence." Confidence in the research and development behind all of the products. Confidence that the products are truly built to last a lifetime. Confidence in knowing that the Dare to Compare opportunity wins us the job!"

Lisa Bollmann-Uphoff, SSLtg Lighting & Controls, BKU Fall 2013



MATERIAL



FOR USE WITH



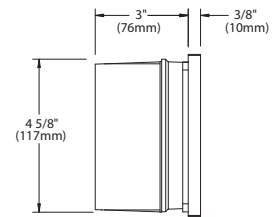
Power Supplies



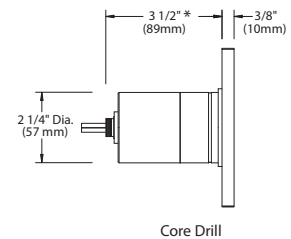
Options



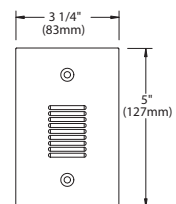
Shown in Black Wrinkle (BLW) finish



Back Box with Aim & Lock Optics



Core Drill



B-K LIGHTING | ARCHITECTURAL RECESSED

*Dimension shown for Adjust-e-Lume®/MR16 Halogen coredrill body. GU10 coredrill body dimension 4" (102mm). Backbox option available in Adjust-e-Lume® and MR16 Halogen only. See page 345 for Catalog ordering information.

VERSA STAR™

VS



MATERIAL



FOR USE WITH



Power Supplies



Options

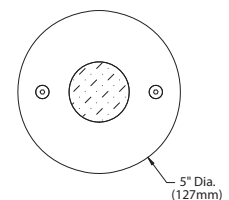
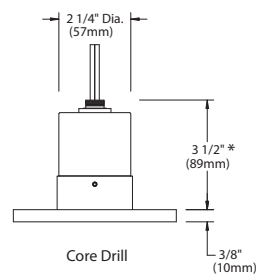
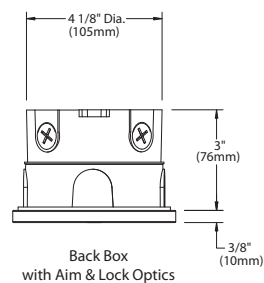
"B-K designs their luminaires with the lighting designers' needs and wants in mind. Besides the excellent performance, the quality craftsmanship and the attention to details, we can always count on B-K's support like a family."

Joseph Yam, Prudential Lighting, Summer 2010

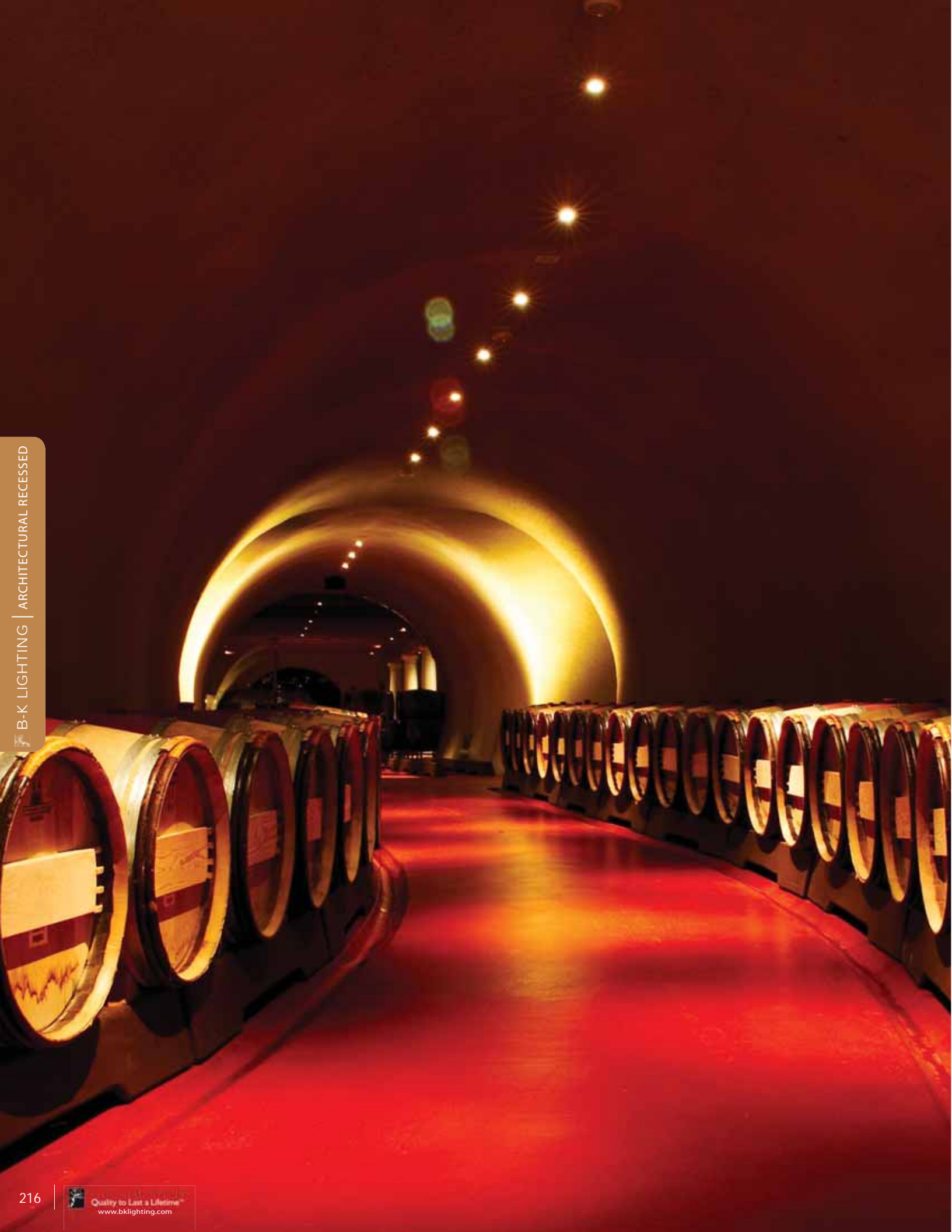


Shown in Satin Aluminum (SAP) finish

B-K LIGHTING | ARCHITECTURAL RECESSED









VSL LOUVERED VERSA STAR™

"With our reputation at stake every time we specify a fixture, we depend on a company like B-K Lighting and their fixtures. They have never let us down."

Lukas J. Sturm, Lumen Studio, Inc., BKU Fall 2013

MATERIAL



FOR USE WITH



Power Supplies

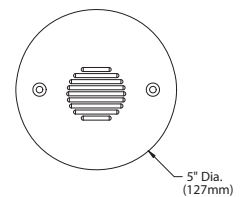
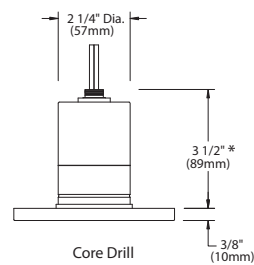
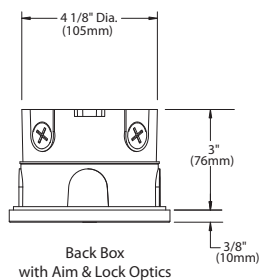


Options



Shown in
Machined Stainless Steel (MAC) finish

B-K LIGHTING | ARCHITECTURAL RECESSED



*Dimension shown for Adjust-e-Lume®/MR16 Halogen coredrill body. GU10 coredrill body dimension 4" (102mm). Backbox option available in Adjust-e-Lume® and MR16 Halogen only. See page 351 for Catalog ordering information.

SQUARE VERSA STAR™

VQ



MATERIAL



FOR USE WITH



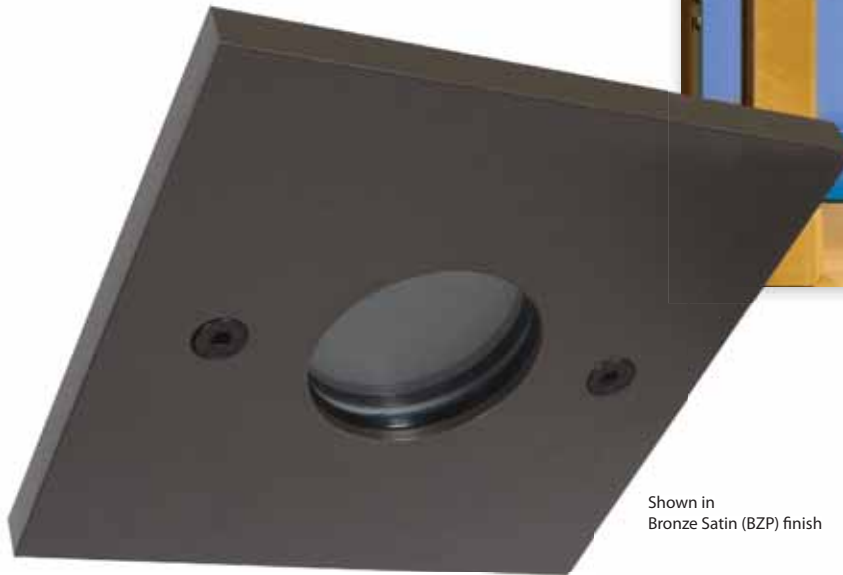
Power Supplies



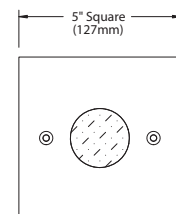
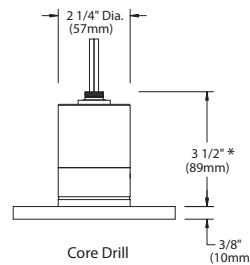
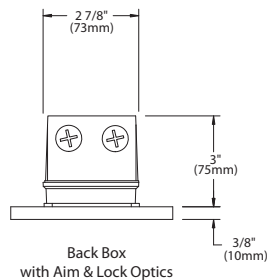
Options

"We've always been fond of the Square Versa Star™ for its sleek attire and ability to fit most any architectural venue. That's why I always think "versatility" when I envision its use. Now powered with BKSSL® technology and ability to dim near zero, Versa Star™ is ready to act in any production we're directing. Packing the kind of tools a lighting designer desires, Versa hits all the cues as a real Star performer."

Darrell Hawthorne, Architecture + Light, BKU Fall 2002



Shown in
Bronze Satin (BZP) finish





VQL LOUVERED SQUARE VERSA STAR™

"We at JTH Lighting Alliance have built our reputation to the market as a leader in representing quality independent lighting and control manufacturers. B-K exemplifies this image. Innovative, American-made quality exterior grade lighting is what B-K is all about. We truly are blessed to be able to represent a company like B-K!"

Jon Kirkhoff, JTH Lighting Alliance

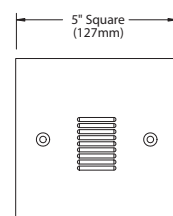
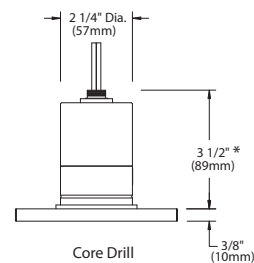
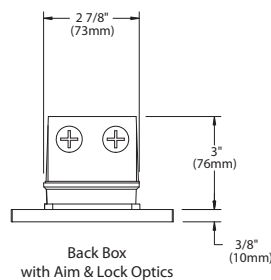
MATERIAL



FOR USE WITH



Shown in
Black Wrinkle (BLW) finish



*Dimension shown for Adjust-e-Lume®/MR16 Halogen coredrill body. GU10 coredrill body dimension 4" (102mm). Backbox option available in Adjust-e-Lume® and MR16 Halogen only. See page 353 for Catalog ordering information.

GOLD STAR™

GD



MATERIAL



FOR USE WITH



Power Supplies



Options

“One of the many things I like about B-K is their family of fixtures. From their line I can select several fixtures that match one another which allows us to build a cohesive look throughout a project. And their fixtures are so nicely designed we use them for interiors as much as we do for exteriors.”

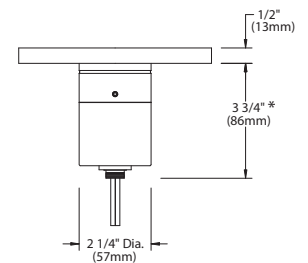
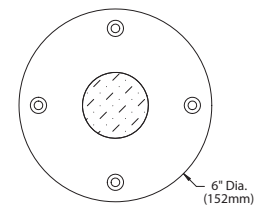
Anne Kale, Ann Kale Associates, Ltd.



B-K LIGHTING | ARCHITECTURAL RECESSED



Shown in
Satin Aluminum (SAP) finish





GQ SQUARE GOLD STAR™

"I keep a brass sample on my desk. If anyone, owner, specifier, questions our quality, I just hand it to them and that takes care of the issue. It is VERY impressive."

Clark Spaulding, AMA Lighting, BKU Spring 2006

MATERIAL



FOR USE WITH

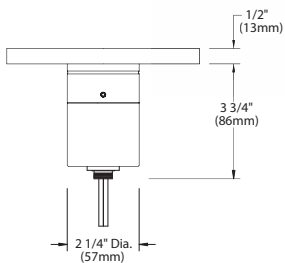
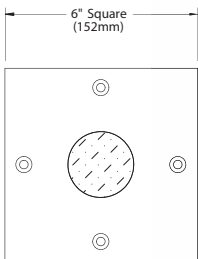


Power Supplies

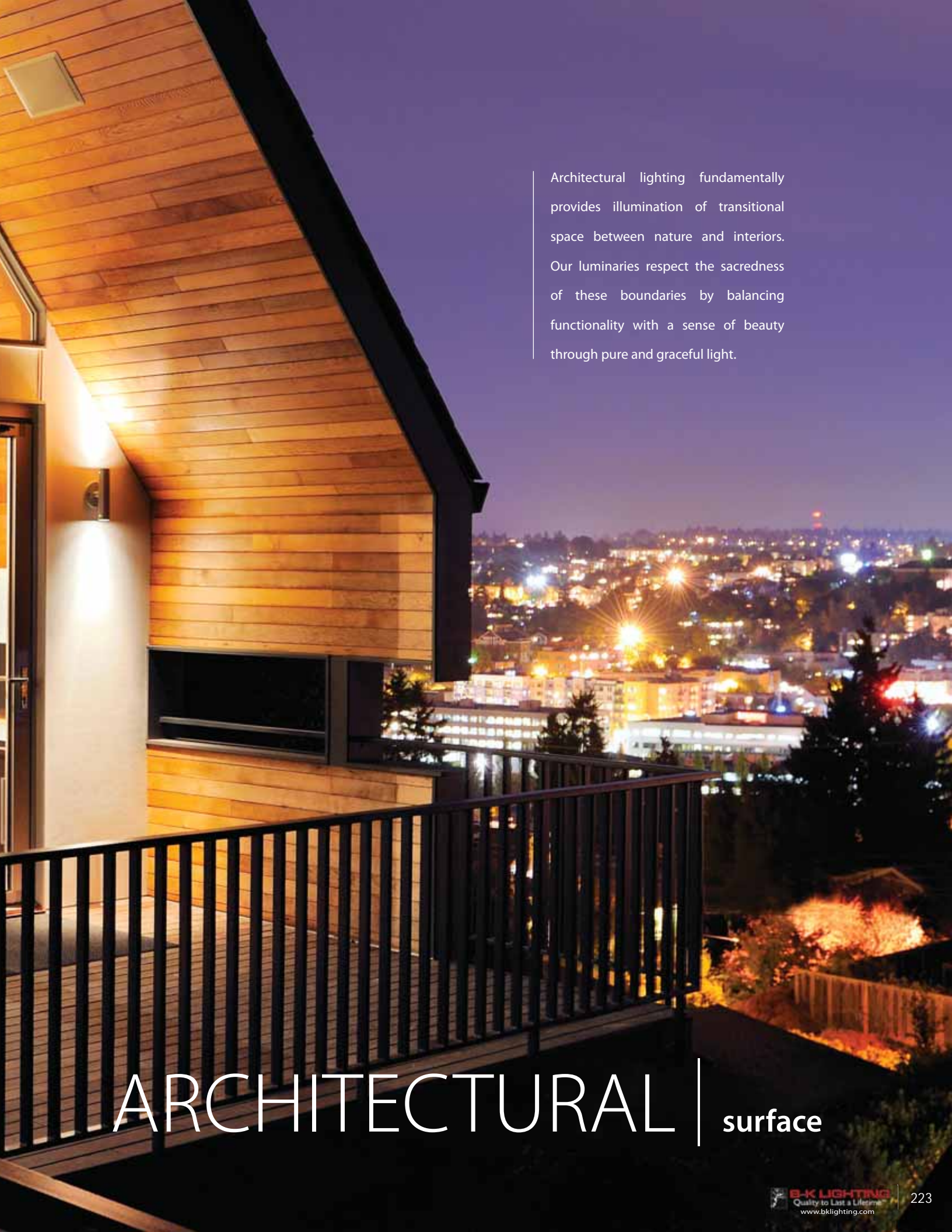


Options

Shown with
Black Wrinkle (BLW) finish





A photograph of a modern house at night. The house features a prominent wooden balcony railing and a wooden exterior wall. A wall-mounted light fixture is visible on the left. In the background, a cityscape is illuminated with various lights, including a prominent tower. The sky is dark, suggesting dusk or night.

Architectural lighting fundamentally provides illumination of transitional space between nature and interiors. Our luminaries respect the sacredness of these boundaries by balancing functionality with a sense of beauty through pure and graceful light.

ARCHITECTURAL | surface

CATSKILL SERIES™



MATERIAL



FOR USE WITH



Power Supplies



Options

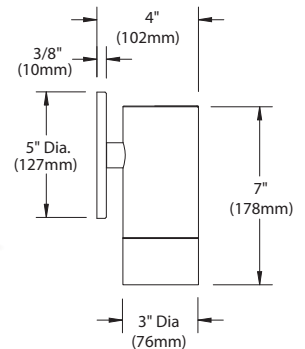
“Catskill Series™ can be used as either an up light or a down light, indoors or out because of its sealed, machined unibody design. Lights from B-K Lighting are tough, long lasting and simply provide wonderful, consistent light putting focus where it should be – on the scene.”

Jeff Bentley, MKK Consulting Engineers, Inc., BKU Fall 2012



Shown with 'C' cap
in Black Chrome (BCM) finish

B-K LIGHTING | ARCHITECTURAL SURFACE



FOR USE WITH REMOTE
DRIVER HOUSINGS:







B-K LIGHTING | ARCHITECTURAL SURFACE



OL

OL OLYMPUS SERIES™

"Quality and versatility is what you can expect from B-K. Quality in bullet proof construction and predictable reliability. Versatility that can only be borne from an enlightened design and manufacturing company."

Jorden Weiss, Enterprise Lighting Sales, BKU Spring 2014

MATERIAL



FOR USE WITH



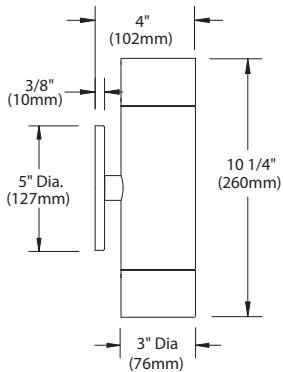
Power Supplies



Options



B-K LIGHTING | ARCHITECTURAL SURFACE



Shown with 'C' caps in Satin Aluminum (SAP) finish

FOR USE WITH REMOTE DRIVER HOUSINGS:



DRM



PM2DRM

See page 360 for Catalog ordering information. See pages 375-376 for Driver Housing Catalog information.

CATSKILL SERIES™

CK



MATERIAL



FOR USE WITH



Power Supplies



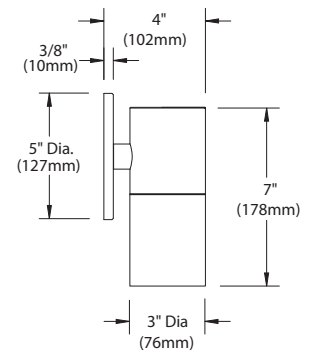
Options

"This outdoor seating area required a dimmable down light. The Catskill offered a simple and discreet design that compliments this modern architectural style. When presented with an exposed beam plank ceiling, this clean and simple side mount cylinder is often a good choice."

Donna Best, d. Best Light Specification, BKU Fall 2003



Shown in Bronze Wrinkle (BZW) finish



FOR USE WITH REMOTE BALLAST HOUSINGS:



RM



PM2RM

B-K LIGHTING | ARCHITECTURAL SURFACE



PAR20 Halogen



PAR20 Metal Halide

OL

OL OLYMPUS SERIES™

"We represent B-K Lighting with pride. It's becoming increasingly rare to have a product line that is truly made in the USA by lighting professionals for lighting professionals!"

Tim Lamberth, SSLtg Lighting and Controls, BKU Spring 2004



MATERIAL



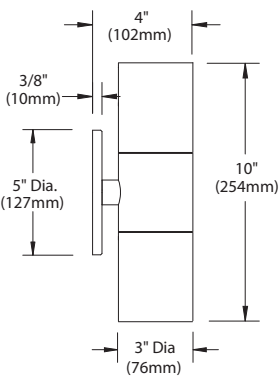
FOR USE WITH



Power Supplies



Options



FOR USE WITH REMOTE BALLAST HOUSINGS:



DRM



PM2DRM

Shown in White Satin (WHP) finish

B-K LIGHTING | ARCHITECTURAL SURFACE

EL CAPITAN SERIES™



MATERIAL*



FOR USE WITH



Power Supplies



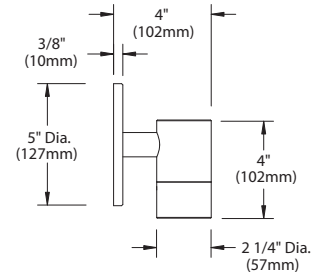
Options

"For the Palm Springs Aerial Tramway we wanted to make sure we could provide a fixture that could provide the perfect ambient light and have a unique style, as always of course B-K Lighting had the perfect fixture...El Capitan Series™."

Fernando Rodriquez, MRC Engineering Inc., BKU Spring 2013



Shown with 'C' cap
in Brown Patina Powder (BPP) finish



'A/D' Cap



'B/E' Cap



'C' Cap



'F' Cap



B-K LIGHTING | ARCHITECTURAL SURFACE



B-K LIGHTING | ARCHITECTURAL SURFACE



ED EL DORADO SERIES™

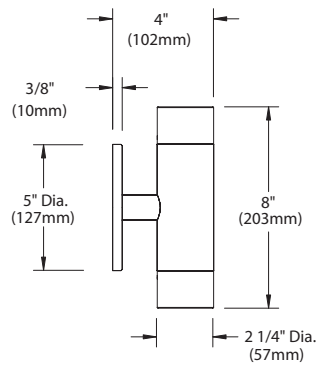
"The El Dorado Series™ is a solid, discreet design that blends into any architectural style but does the heavy lifting as a dual up/down light. This is the fixture when an Olympus™ is simply too large or powerful. I love how I can install this fixture inside or out and know that the smart design is at home in all kinds of weather."

John Maloney, JMPE Electrical Engineering & Lighting Design, BKU Spring 2013

MATERIAL*



FOR USE WITH



Shown with 'C' caps in Black Satin (BLP) finish



*El Dorado Series™ with MR16 Halogen source is only available in aluminum and brass. See page 359 for Catalog ordering information.

m² MINI-MICRO™ CYLINDER | YM



MATERIAL



FOR USE WITH



Power Supplies



Options

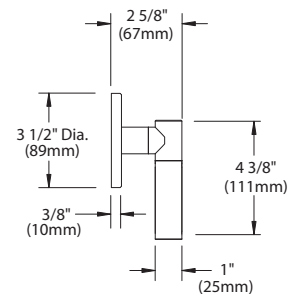
"I have represented B-K lighting for over 20 years and I can count the number of problems on one hand. That my friend is an excellent manufacturer."

George P. Lyngarkos, Illuminations Inc., BKU Fall 2005

B-K LIGHTING | ARCHITECTURAL SURFACE



Shown with 'B' cap
in Black Wrinkle (BLW) finish



A/D' Cap



'B' Cap



'C' Cap



OM

m² MINI-MICRO™ TWIN CYLINDER

"I like to specify the B-K Lighting line because it is a high quality product and minimalistic in its design. For our clients it matters that the luminaires are not distracting from architectural details but will enhance the design and their environment. I can always trust the workmanship, the lighting quality and the leading edge technology of B-K Lighting."

Gunda Lunde, Brian Hood Lighting Design, Inc., BKU Spring 2013

MATERIAL



FOR USE WITH



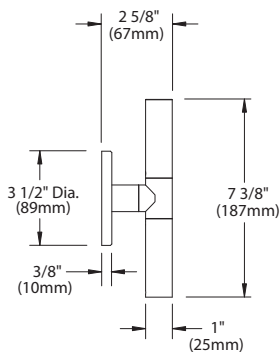
Power Supplies



Options



Shown with 'B' caps
in Satin Aluminum (SAP) finish



A/D' Cap



B/E' Cap



C' Cap

m² MINI-MICRO™ PENDANT | PM-MM



MATERIAL



FOR USE WITH



Power Supplies



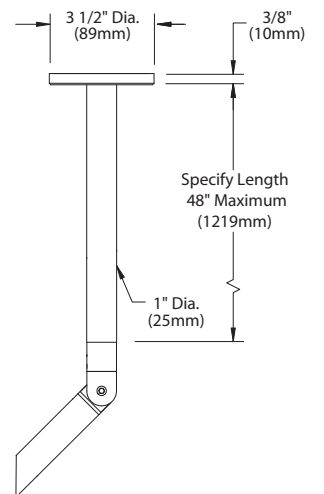
Options

"B-K Lighting blends function, durability, sustainability and superior aesthetics together with exceptional customer service and product education; Making B-K not just a spec, but a necessity."

Amelia Brubaker, OCS Lighting & Control, BKU Spring 2014



Shown with 'A' cap in Black Satin (BLP) finish



'A/D' Cap



'B/E' Cap



'C' Cap



WM-MM

m² MINI-MICRO™ TWIN PENDANT

"The Mini Micro Twin Pendant™ is relatively compact, wonderfully constructed and provides worry-free, high solid state performance. Twin Pendants use the LOCK™ system for ultimate aiming and control and the adjustments stay where directed. Each fixture uses a mere 3W...simply amazing for the lumen output produced. I think its one of the classiest ways to light intimate artwork or elaborate signage at scale."

Justin Perez, B-K Lighting, Manufacturing Manager/BKU Instructor

MATERIAL



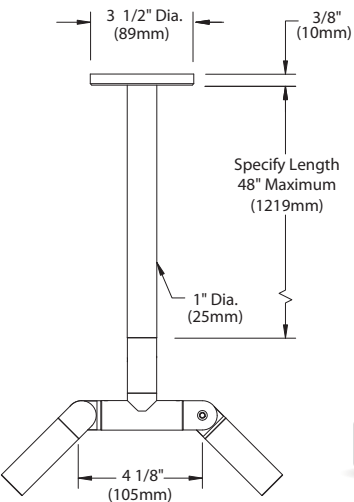
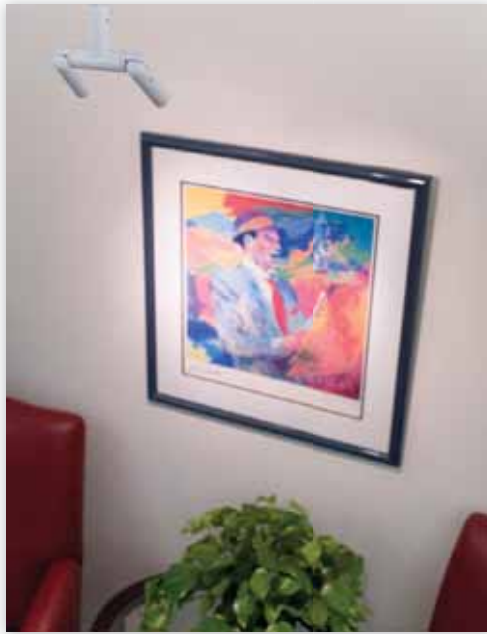
FOR USE WITH



Power Supplies



Options



Shown with 'C' caps in Black Satin (BLP) finish

B-K LIGHTING | ARCHITECTURAL SURFACE

MICRO NITE™ PENDANT | PM-MN



MATERIAL



FOR USE WITH



Power Supplies



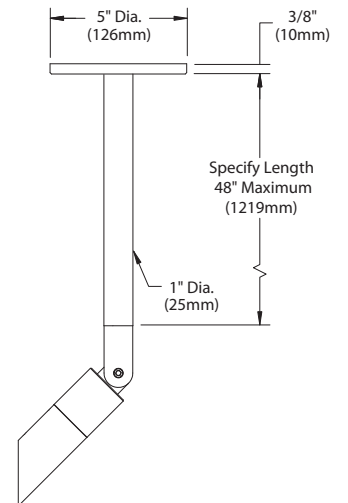
Options

"As a factory Rep agent for over 30 years now, I have worked with some of the biggest names in the Commercial Lighting business. The first thing I realized about B-K Lighting when I joined their Sales team, was that as an agent, I never had to apologize for a B-K product after the sale! Why? Because the people at B-K really care that they make the finest Outdoor Lighting products available then, and today. I am proud to represent B-K Lighting."

James Heimdale, Illuminetrics, BKU Spring 2003



Shown with 'A' cap
in Black Chrome (BCM) finish



A/D' Cap



B/E' Cap



C' Cap



Power of 'e'
(BKSSL®)



MR11 Halogen

WM-MN

MICRO NITE™ TWIN PENDANT

"This fixture is excellent for surface mounting on beams, wood, ceilings, or just about any other place task lighting is required. The available options and sourced in either BKSSL® solid state technology or low voltage provides a lighting specifier or designer great versatility and control wherever they need it."

Nathan Sloan, B-K Lighting, President/BKU Instructor

MATERIAL



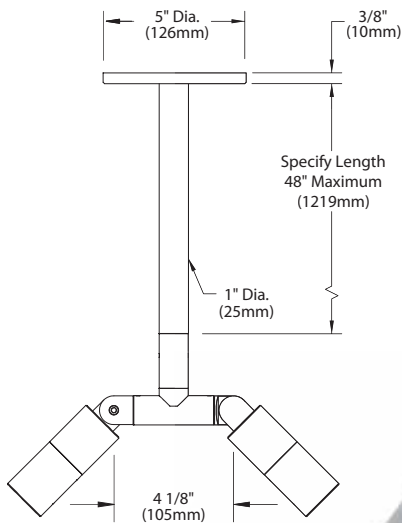
FOR USE WITH



Power Supplies



Options



'A/D' Cap



'B/E' Cap



'C' Cap

Shown with 'C' caps
in Satin Aluminum (SAP) finish

B-K LIGHTING | ARCHITECTURAL SURFACE

PENDANT

PM



MATERIAL*



FOR USE WITH



Power Supplies



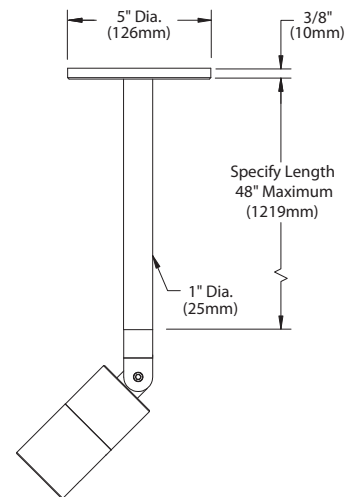
Options

"When developing this fixture we knew there was a demand for a pendant luminaire with a high lumen output because of the many requests through our Customs Department. The popularity of full height ceilings and open floor plans present unique lighting challenges. B-K's Pendant is the perfect answer to those questions."

Justin Perez, B-K Lighting, Manufacturing Manager/BKU Instructor



Shown with 'B' cap
in Bronze Satin (BZP) finish



'A/D' Cap



'B/E' Cap



'C' Cap



'F' Cap



WM

TWIN PENDANT

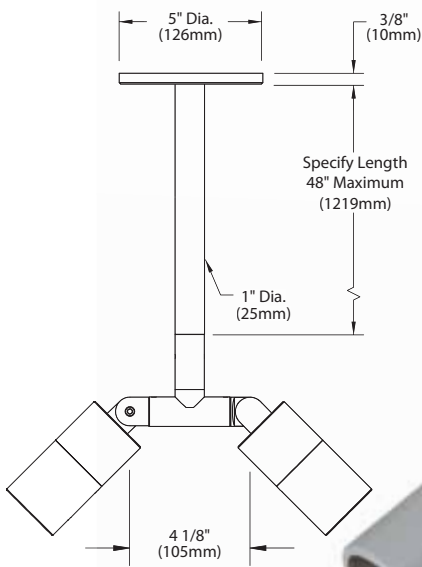
"The Twin Pendant is was created for those instances when a high-powered solid state or low voltage twin fixture was preferred but at a scale more suitable for interior applications and transitional zones between the great outdoors where a full-sized sign light may not be appropriate or simply cannot be installed physically. The single mounting point, directly above the knuckle system keeps the eye on the prize and the light where it needs to be."

Karen Duffy, LC, B-K Lighting, Regional Sales Manager/BKU Instructor

MATERIAL*



FOR USE WITH



Shown with 'B' caps in Satin Aluminum (SAP) finish

*Twin Pendant with MR16 Halogen source is only available in aluminum and brass. See page 361 for Catalog ordering information.

ALPINE SURFACE DOWNLIGHT™

SM-AP



MATERIAL



FOR USE WITH



Power Supplies



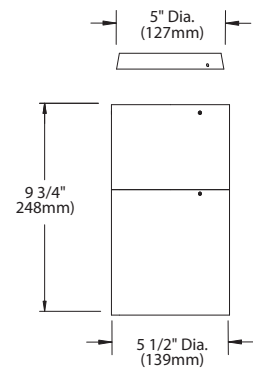
Options

"Alpine Surface DownLight™ addresses an issue similar to that of the Pendant but with the exceptional lumen output of our BKSSL® Power of 'X'."

Skip Herbert, B-K Lighting, Technical Sales Manager/BKU Instructor



Shown with 'C' Cap
in Black Chrome (BCM) finish



FOR USE WITH REMOTE
DRIVER HOUSINGS:



'E' Cap



'C' Cap



RM



PM3RM



SM-DE

DENALI SERIES™ SURFACE DOWNLIGHT™

“The Power of 'X' fixtures provide a visually related tool kit of fixtures with a simple, modern aesthetic and great performance. Industry-best color consistency, flexibility, support and reliability combine with the now-expected B-K ease of installation and maintenance and their willingness to modify products for the ideal fixture. A true life-of-the-building/project fixture family with smart design and a multitude of applications.”

Clifton Manahan, Horton Lees Brogden Lighting Design, BKU Fall 2011

MATERIAL



FOR USE WITH

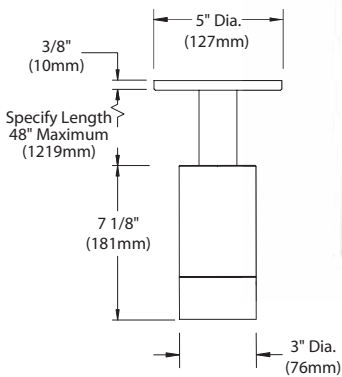


Power Supplies



Options

Shown with 'C' Cap
in White Satin (WHP) finish



FOR USE WITH REMOTE DRIVER HOUSINGS:



Shown with 'E' Cap
with optional configured stem
in Black Wrinkle (BLW) finish



B-K LIGHTING | ARCHITECTURAL SURFACE





SM-AR

ARTISTAR™ SURFACE DOWNLIGHT™

"I have been specifying B-K products since they first came to market and have always found them innovative, well-made and reliable. Whenever there have been any issues in ordering, manufacturing or shipping, they have always stepped up and taken responsibility to help solve the problem. That's that sort of relationship we have with our clients so it's nice to have a manufacturer we can depend on to support that relationship."

Michael Souter, Luminae Souter Associates, LLC



MATERIAL*



FOR USE WITH



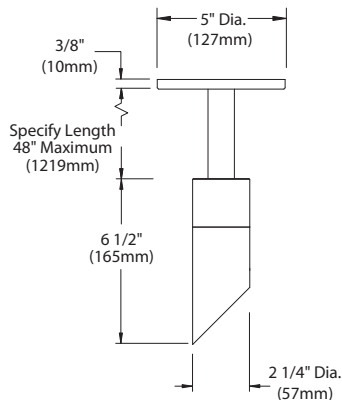
Power Supplies



Options



Shown with 'D' Cap
in Satin Aluminum (SAP) finish



Artistar Surface Downlight™ with MR16 Halogen source is only available in aluminum and brass. See page 357 for Catalog ordering information.

MICRO NITE™ SURFACE DOWNLIGHT™

SM-MN



MATERIAL



FOR USE WITH



Power Supplies



Options

"B-K Lighting, a rare find in the lighting fixture industry. They are truly interested in function and quality at a fair price. One of the very few manufacturers who deliver honest value. B-K cares, B-K listens, B-K delivers . . . really."

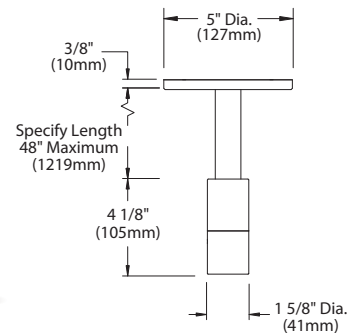
Curtis Liberda, 2cLighting, Inc., BKU Spring 2005



Shown with 'D' Cap
and optional configurable stem
Satin Aluminum (SAP) finish



Shown with 'E' Cap
Black Satin (BLP) finish



'D' Cap

'E' Cap

'C' Cap



SM-MM

m² MINI-MICRO™ SURFACE DOWNLIGHT™

"B-K Lighting builds their luminaires to last for decades and they are always in the fore front with the latest light source technology. With their Green Source Initiative™ they are building sustainable lighting instruments."

Donna Auer, Arizona Lighting Sales, Inc., BKU Fall 2005

MATERIAL



FOR USE WITH



Power Supplies

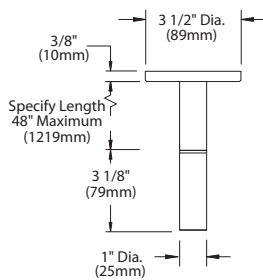


Options



Shown with 'E' Cap
Bronze Satin (BZP) finish

Shown with 'E' Cap
and optional configurable stem
Verde (VER) finish



TETON SERIES™



MATERIAL



FOR USE WITH



Power Supplies



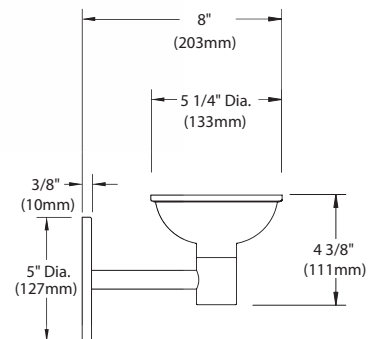
Options

"I love the Teton Series™ because...of its elegant simplicity. It is a beautiful addition to the exterior (or interior) of almost any architecture style. The versatility is amazing - wet listed in the up or down position, with the ability to use them as an umbrella light. Several of them could be combined like spokes of a wheel and suspended like a custom chandelier - a bug-free way to light a porte cochere! Add to that the SSL option and it's virtually maintenance free!"

Adrienne Kelly, Prudential Lighting, BKU Fall 2004



Shown in
Machined Brass (MAC) finish





B-K LIGHTING | ARCHITECTURAL SURFACE

ALPINE SERIES™

AP



Power of X[®]
(BKSSL*)



PAR30/38 Halogen



PAR30/38 Metal Halide

MATERIAL



FOR USE WITH



Power Supplies



Options

"Exterior Lighting is the ultimate test for any lighting fixture. When a manufacturer has cut a corner or tried to take cost out of their fixtures you are going to find out very quickly. B-K Lighting starts with the quality needed for the long haul and then meshes in the task at hand. In the end the form and the function both excel!"

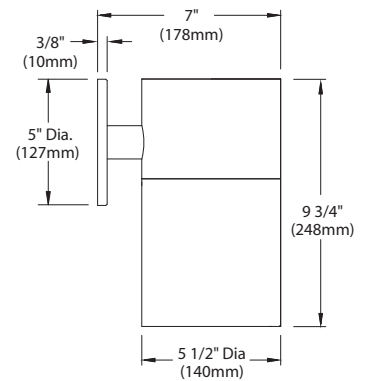
Ken Lewis, Enterprise Lighting Sales, BKU Fall 2013



B-K LIGHTING | ARCHITECTURAL SURFACE



Shown in
Black Satin (BLP) finish



FOR USE WITH REMOTE
DRIVER/BALLAST HOUSINGS:





Power of "X"
(BKSSL*)



PAR30/38 Halogen



PAR30/38 Metal Halide

MA

MAMMOTH SERIES™

"In all my years in specification sales I hold B-K Lighting in the highest regard and with complete confidence with not only their wide variety of high performance product families, but equally as much as their people who totally support all my efforts with my designers."

Gary A. Byram, Apex Lighting Solutions, LLC, BKU Spring 2005

MATERIAL



FOR USE WITH



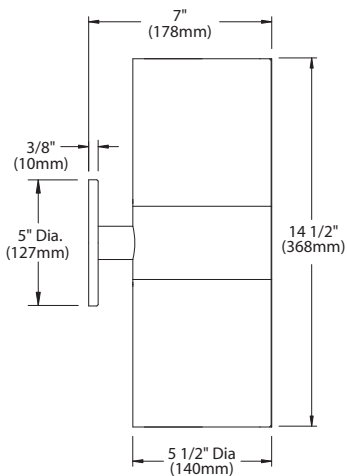
Power Supplies



Options



Shown in
Satin Aluminum (SAP) finish



FOR USE WITH REMOTE
DRIVER/BALLAST HOUSINGS:




DRM



PM3DRM



B-K LIGHTING | ARCHITECTURAL SURFACE

A large, gnarled tree trunk is the central focus, illuminated from below with a warm, golden light. The tree's branches spread out, with some leaves catching the light. In the background, the dark roof of a house is visible, and the overall scene is set at night with a dark sky. The lighting creates a dramatic contrast between the illuminated tree and the surrounding shadows.

There's more to lighting than selecting a fixture just as there is more to music than simply selecting notes. Creating a symphony of light is made in the details and exacting specifications. From canopies to sophisticated remote power supplies, B-K Lighting offers a wide range of options to help create the most inspired composition possible.



OPTIONS | accessories

TRANSFORMER/JUNCTION UPM™ PM1



MATERIAL



FOR USE WITH



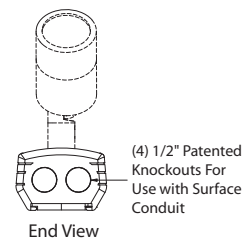
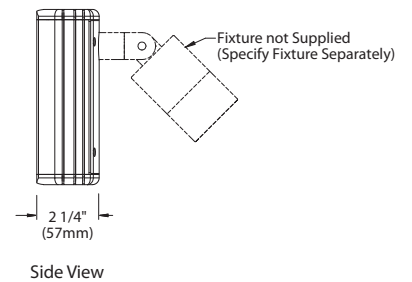
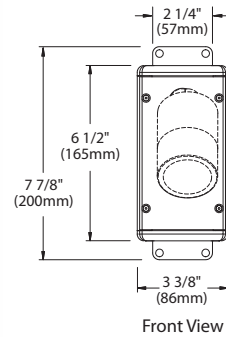
Options

"The UPM™ housing is one of the most versatile and useful tools for exterior accent lighting. It can be used with any of the LED or CMH heads and gives specifiers great flexibility for mounting. B-K Lighting has a lot of great products and I don't have just one favorite; it changes depending on the project. The ability to offer simple but effective modifications for your standard products makes it much easier to use on almost any project."

Jered Widmer, The Lighting Practice



Surface Mount installation shown with Nite Star™ Floodlight in Satin Aluminum (SAP) finish



TRANSFORMER/JUNCTION PM1D | UPM™



Tree Strap

Surface Mount

CamLock™

Monument Mount

PM1D accommodates two, separately specified luminaire in one of four distinct mounting conditions that include Recessed Junction Box for wall applications, Surface Mount for externally wired installations, in-grade Ground/Monument installation with Power Pipe™ or with our non-invasive Tree Installation as shown (with optional safety cable). Made from copper-free aluminum extrusion with proprietary, water-tight Knockouts™.

MATERIAL

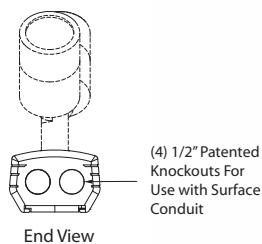
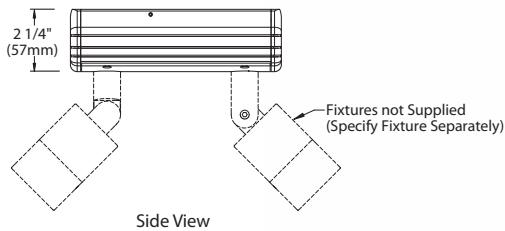
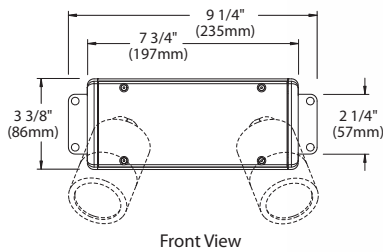


FOR USE WITH



Options

Tree Strap installation shown with Nite Star™ Floodlights in Bronze Wrinkle (BZW) finish



B-K LIGHTING | OPTIONS & ACCESSORIES

TRANSFORMER/BALLAST/DRIVER/JUNCTION UPM™ PM2



MATERIAL



FOR USE WITH



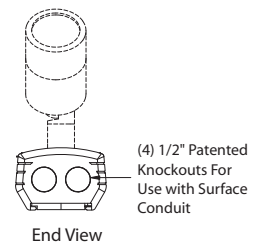
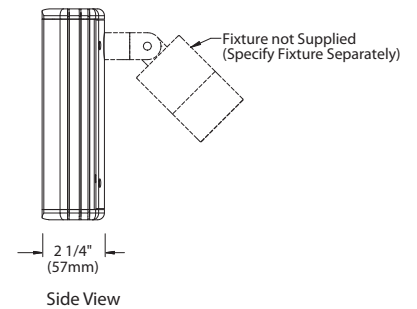
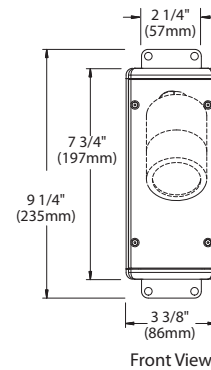
Options

PM2 is able to house a single fixture along with its appropriate transformer, ballast or driver because of its longer dimension over the PM1. B-K Lighting's proprietary, water-tight Knockouts™ once removed reveal 1/2" female NPT threaded hubs for easy conduit connections. UPM™ mounted fixtures are equipped with our exclusive 360SL™ Mounting System.

B-K LIGHTING | OPTIONS & ACCESSORIES



Monument Mount installation shown with offset mounted Everest Series™ Floodlight in Sierra Mountain Granite (SMG) finish



TRANSFORMER/BALLAST/DRIVER/JUNCTION



Tree Strap



Surface Mount



CamLock™



Monument Mount

PM2D

UPM™

When two fixtures are required on a Universal Power Module, PM2D is an apt choice. It offers the same four mounting conditions as the PM2, including housing any required transformer, ballast or driver. The PM2D is a perfect mounting option for powering floodlights for use at art installations, sculptures and monuments.

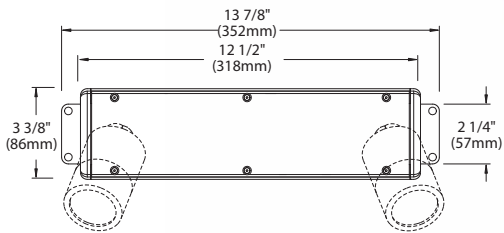
MATERIAL



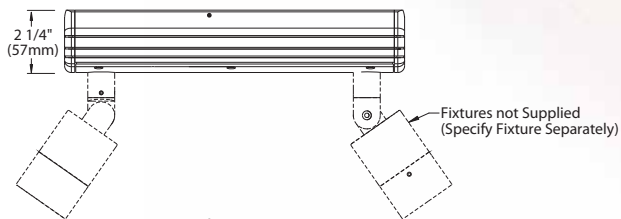
FOR USE WITH



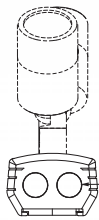
Options



Front View



Side View



End View

(4) 1/2\"/>

Monument Mount installation shown with Everest Series™ Floodlights in Weathered Iron (WIR) finish

DRIVER/BALLAST/JUNCTION UPM™ PM3



Tree Strap



Surface Mount



CamLock™



Monument Mount

MATERIAL



FOR USE WITH

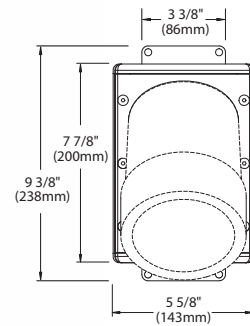


Options

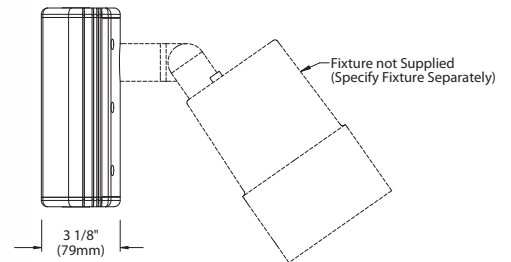
PM3 provides a small profile, universal powered junction box that accommodates a single fixture such as the K2 Series™ in either metal halide or BKSSL®, with a ballast or driver, in one of four distinct mounting conditions: tree-friendly Tree Strap, Surface Mount, CamLock™ and Monument Mount.



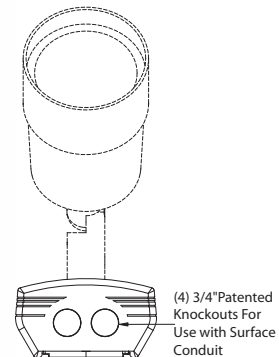
Surface Mount installation shown with center mounted Sierra Series™ Floodlight in Satin Aluminum (SAP) finish



Front View



Side View



End View

DRIVER/BALLAST/JUNCTION PM3D UPM™



Tree Strap



Surface Mount



CamLock™



Monument Mount

PM3D When a specifier needs two powerful solid state BKSSL® LED or metal halide fixtures in close proximity on a compact surface-mount enclosure PM3D answers the call. All UPM™ power modules include four standing mounting options along with replaceable and water tight Knockouts™.

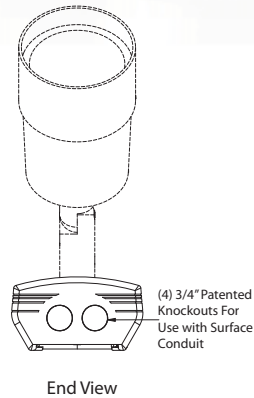
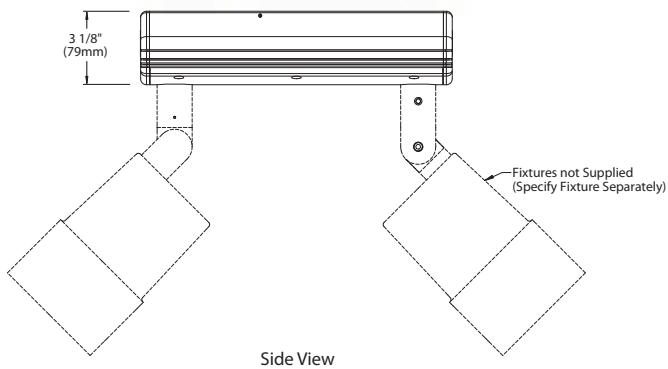
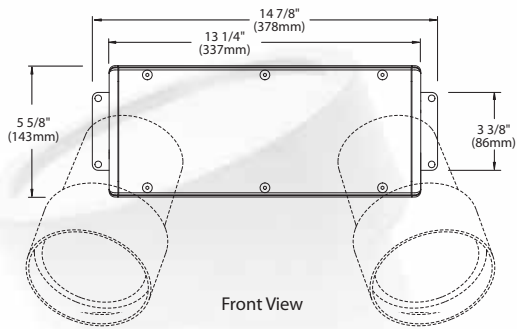
MATERIAL



FOR USE WITH



Options



Surface Mount installation shown with K2 Series™ Floodlights in Black Chrome Polish (BCP) finish

TRANSFORMER/JUNCTION UPM™ REMOTE

PM1RM/PM1DRM

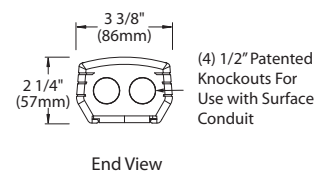
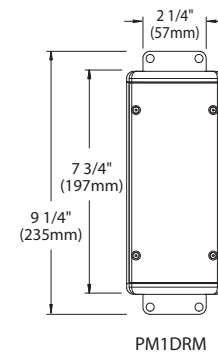
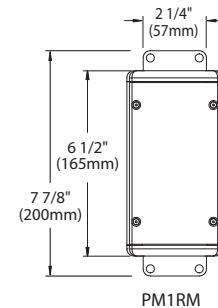


MATERIAL



The beauty behind Universal Power Module™ is its adaptable and modular characteristics providing the lighting specifier, designer, electrical engineer and building trades with a high quality, durable and purposeful box for single or dual fixtures. The unique Knockouts™ provide multiple points of entry of either 1/2" or 3/4" NPT conduit that can be reinserted water-tight, removing any worry of moisture contamination. The UPM™ can be mounted nearly anywhere; over recessed junction boxes, hardened surfaces or even in trees. UPM™ keeps remote ballasts, drivers and connections safe and out of sight like no other product.

Shown in
Black Wrinkle (BLW) finish



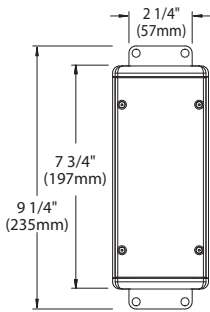


TRANSFORMER/DRIVER/BALLAST/JUNCTION UPM™ REMOTE

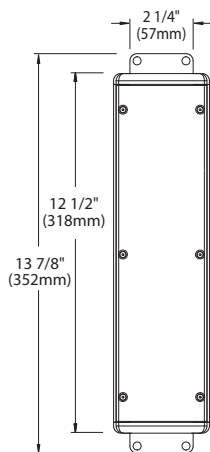
PM2RM/PM2DRM

PM2RM/PM2DRM can remotely house solid state and low voltage luminaires' transformers, ballasts and drivers in three distinct mounting conditions: Recessed Junction Box, Surface Mount and Tree Installation. Made from copper-free aluminum extrusion with die cast end caps. A patented knockout allows for knockout re-insertion without compromising seal integrity.

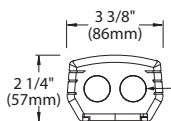
MATERIAL



PM2RM



PM2DRM



End View

(4) 1/2" Patented Knockouts For Use with Surface Conduit

Shown in Black Wrinkle (BLW) finish



B-K LIGHTING | OPTIONS & ACCESSORIES

UPM's Patented knockouts are covered by U.S. Patent No. 6,940,012 B2. See pages 369-376 for Catalog ordering information.

BALLAST/DRIVER/JUNCTION UPM™ REMOTE

PM3RM/PM3DRM



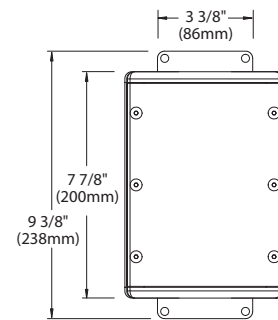
MATERIAL



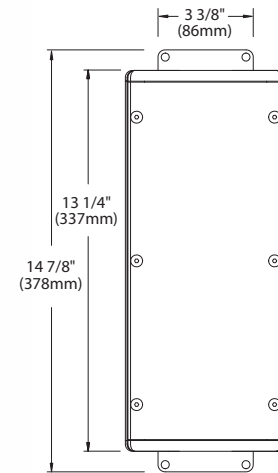
The PM3RM can support a single remote fixture by housing a single ballast or driver. Its dual counterpart, the PM3DRM, supports dual remote fixtures by housing dual ballasts or drivers. The modular design allows it to be installed like any other remote UPM™: Recessed Junction Box, Surface Mount and Tree Installation.



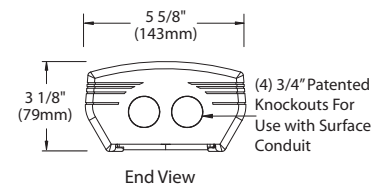
Shown in
Black Wrinkle (BLW) finish



PM3RM



PM3DRM



End View

B-K LIGHTING | OPTIONS & ACCESSORIES



UNIVERSAL POWER MODULE

UPM

UPM™

UPM™ offers unlimited possibilities as a remote power supply, a fixture mounting option or a junction box. UPM™ allows mounting virtually anywhere - the wall or from a ceiling, on a junction box or to a surface, on the ground or in a tree. With conduit entries located on the rear and the side of the unit, wiring options are as flexible as installation options. With six sizes to choose from, there is a UPM™ for virtually any application.



TREE STRAP

Find new installation positions not previously considered because of damage to the tree with the exclusive Tree Strap™ UPM.

A long-lasting nylon strap attaches to the tree without the use of invasive mounting screws. The fully adjustable strap is mold and mildew resistant and allows for tree growth through periodic movement in the strap's position as a stainless steel safety cable maintains UPM's position when the nylon strap is disengaged.

CAMLOCK™

The exclusive CamLock™ canopy is the perfect choice for new construction or existing applications with a recessed junction box.

A fully machined, copper-free aluminum canopy with integral gasket mounts directly to a 4" octagonal, or single gang rectangular junction box. With full 30° adjustability, the CamLock™ allows for precision adjustments to UPM's position regardless of the junction box orientation. A concealed, tamper resistant set screw locks UPM to the canopy.

An innovative, IP-68 rated, wiper seal means the system is self-sealing once the UPM is attached creating a water-tight installation.



SURFACE MOUNT

Choose UPM's surface mounting option for use on ceilings, walls, parapets, and other architectural surfaces that do not permit the use of a recessed junction box.

Two stainless steel mounting brackets quickly anchor the system in any orientation. Side mounted conduit entries permit through wiring.



MONUMENT MOUNT

The exclusive Power Pipe™ System provides a clean installation onto a concrete monument installation.

The heavy duty PVC, direct burial wireway allows feed through wiring and installs at grade. Silicone wirenuts are provided to ensure a water-tight splice.



UPM's innovative, Anti-Siphon Valve (ASV™) prevents "wicking" through the conductor insulation. Two stainless steel mounting brackets anchor the system onto the finished architectural surface to ensure decades of reliable service.

IT'S A KNOCKOUT!

All UPMs feature exclusive Patented Knockouts. Machined from copper-free aluminum, each knockout covers a 1/2" or 3/4" NPT female conduit entry. A high temperature silicone 'O' Ring creates a hermetic seal between the knockout and the UPM body, which is re-established if the knockout is re-inserted after removal.



B-K LIGHTING | OPTIONS & ACCESSORIES

BALLAST/DRIVER TENON MOUNT™

TMB



Power of 'X'
(BKSSL*)



Power of 'C'
(BKSSL*)



Metal Halide

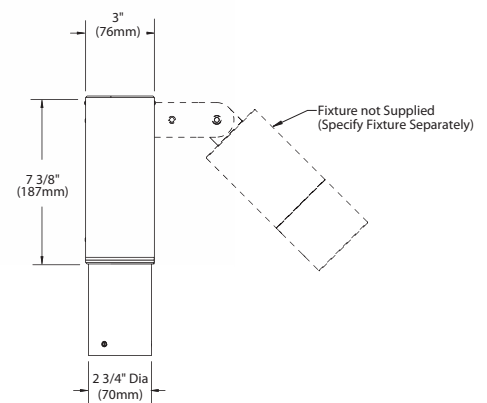
MATERIAL



The Tenon Mount ballast/driver enclosure provides sanctuary to a solid state or metal halide fixture mated to a 2" IPS (2 3/8" O.D.) tenon for pole mounting installations. A removable bottom with Neoprene gasket and a 2 1/4" I.D. slip fitter provide effortless installation. TMB is compatible with fixtures that feature the 360HD™ Mounting System.



Denali Series™ Floodlight
shown with 'B' Cap
mounted on a TMB
in Bronze Satin (BZP) finish





PC

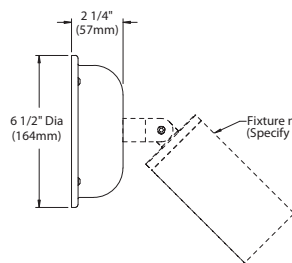
BALLAST/DRIVER POWER CANOPY™

Power Canopy was designed to provide a solid state or metal halide luminaire with a clean architectural ballast/driver housing mounted onto an external, vertical surface. Constructed from fully machined copper-free aluminum, Power Canopy™ features two Knockout™ ports that accept 1/2" conduit or Romex connections creating a worry free water tight seal.

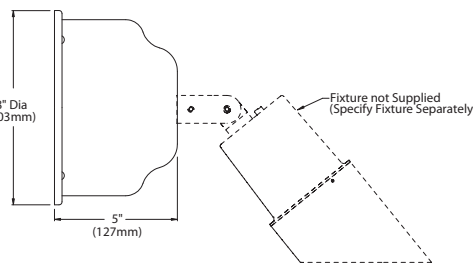
MATERIAL



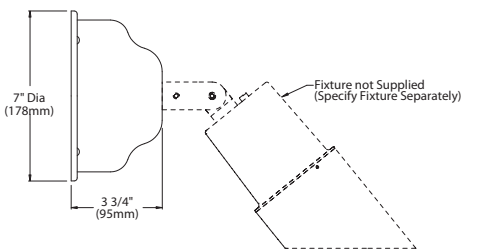
K2™ Floodlight shown with 'A' Cap mounted on a Power Canopy III™ in Bronze Wrinkle (BZW) finish



PC



PCII



PCIII

BALLAST/DRIVER HP2™ (Integral)

HP2



MATERIAL

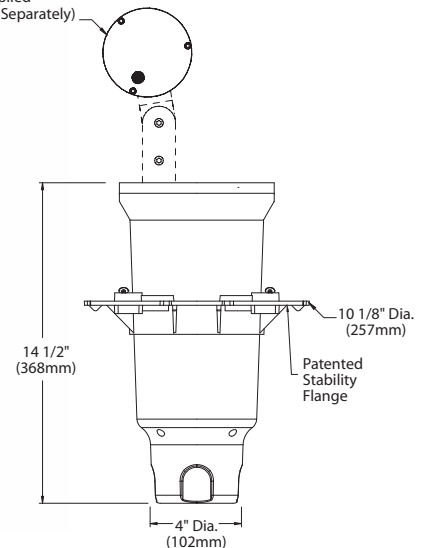


Placing a solid state or metal halide in-grade has never simpler thanks to HP2™ Integral mounting options. A tough and corrosion-free composite housing made from glass reinforced, flame retardant thermo-formed polyester protects the fixture's driver or ballast while our patented Anti-Condensation Valve (ACV™) expels any moisture and prevents it from reentering the luminaire. HP2's Patented Stability Flange™ makes install into soil or concrete a breeze.



Yosemite Series™ Floodlight shown with optional Cutoff Visor (CV) in Bronze Wrinkle (BZW) finish

Fixture not Supplied (Specify Fixture Separately)





PPII

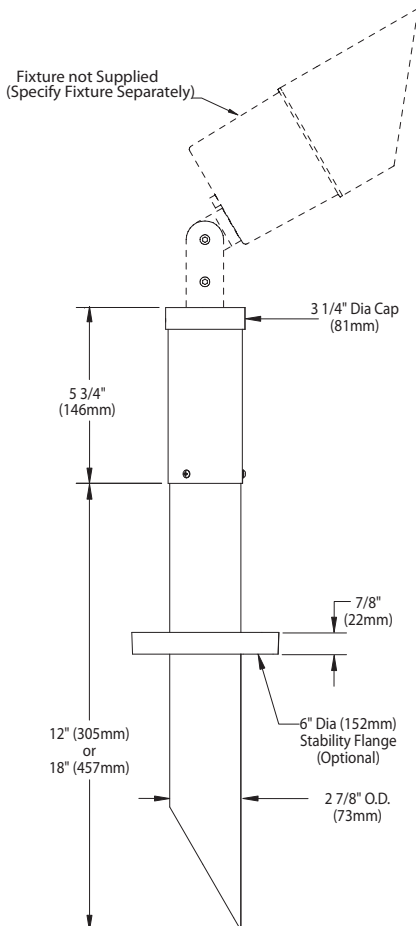
BALLAST/DRIVER POWER PIPE II™

Power Pipe II™ provides an inconspicuous 2 7/8" diameter mounting point for select solid state BKSSL® luminaires that use a driver or alternatively can be used with ballast-driven metal halide fixtures. The stability flange, a full 6" in diameter, is an option which helps keep the installation from shifting in settling earth whereas the housing itself provides a clean, water-tight and worry-free transition from fixture to buried conduit.

MATERIAL



Sierra Series™ Floodlight shown with 'A' Cap mounted on a Power Pipe II™ in Bronze Satin (BZP) finish



See pages 374-376 for Catalog ordering information.

BALLAST/DRIVER REMOTE HOUSING



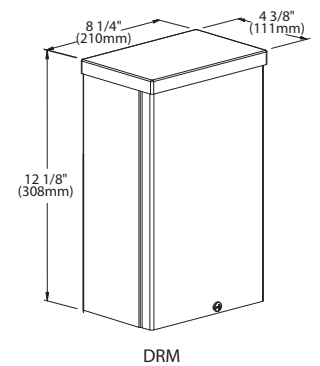
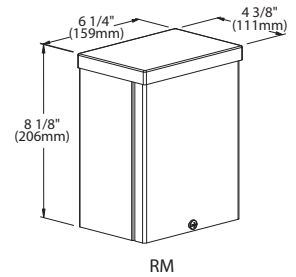
MATERIAL



Steel Remote Housings provide a NEMA 3R remote surface mount enclosure which can support solid state or metal halide fixtures that require a single or dual remote drivers or ballasts. The body of the housing includes front access for easy inspection and installation. Fixtures are specified separately.



RM™ and DRM™ shown in Satin Aluminum (SAP) finish



B-K LIGHTING | OPTIONS & ACCESSORIES



Power of 'X'
(BKSSL*)



Power of 'C'
(BKSSL*)



Low Voltage



Metal Halide

HP2RM

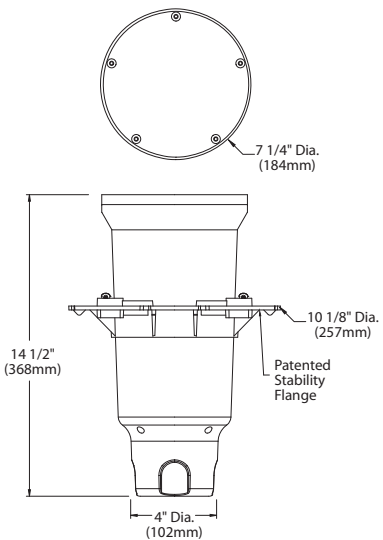
TRANSFORMER/BALLAST/DRIVER HP2™ (Remote)

The HP2RM™ provides all the great benefits that the integral version does but in a location away from the fixture. It supports low voltage, solid state and metal halide luminaires and can accommodate a single transformer, driver or ballast. Our patented HydroLock® technology isolates the wiring system by providing a fail safe water barrier between the junction and the interior components. Anti-Siphon Valve™ (ASV™) prevents wicking through the conductor's insulation.

MATERIAL



HP2™ Remote Ballast Housing
shown in Satin Aluminum (SAP) finish



B-K LIGHTING | OPTIONS & ACCESSORIES

Precision2® and its features are covered in whole or in part various patents. Please see pages 286-289 for patent details. See pages 367-378 for Catalog ordering information.

LOW VOLTAGE POWER PIPE™

PP

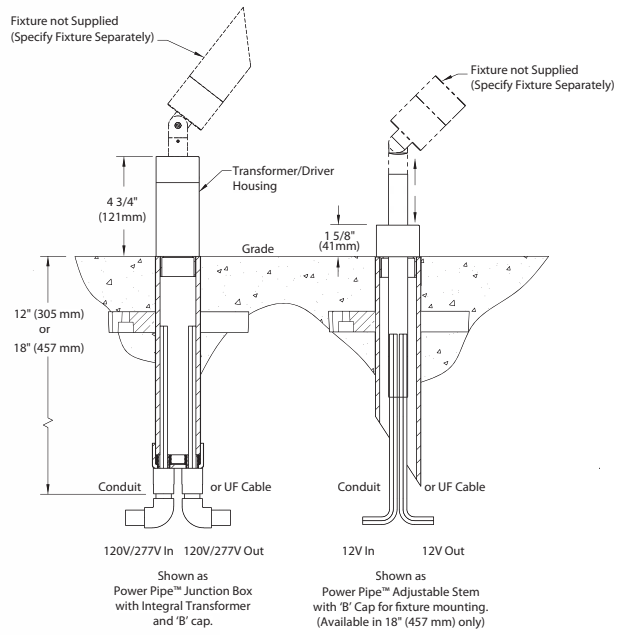
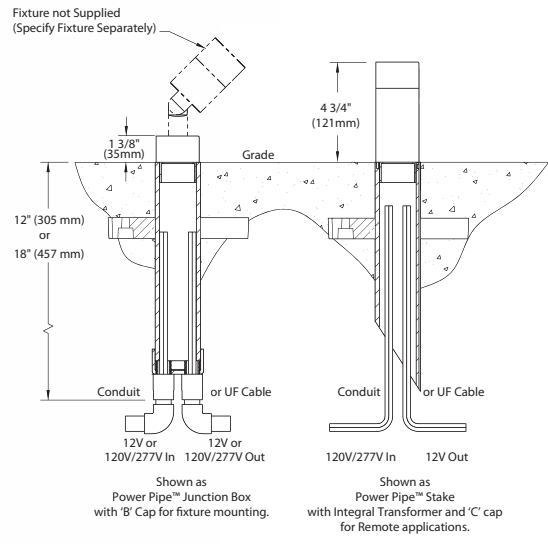


MATERIAL



Power Pipe™ is a line of mounting, junction box and transformer options for solid state BKSSL® and low voltage applications. It can be used as a mounting stake for lighting fixtures or as a vertical junction box for remote applications, providing a clean, architectural transition.

OPTIONS & ACCESSORIES



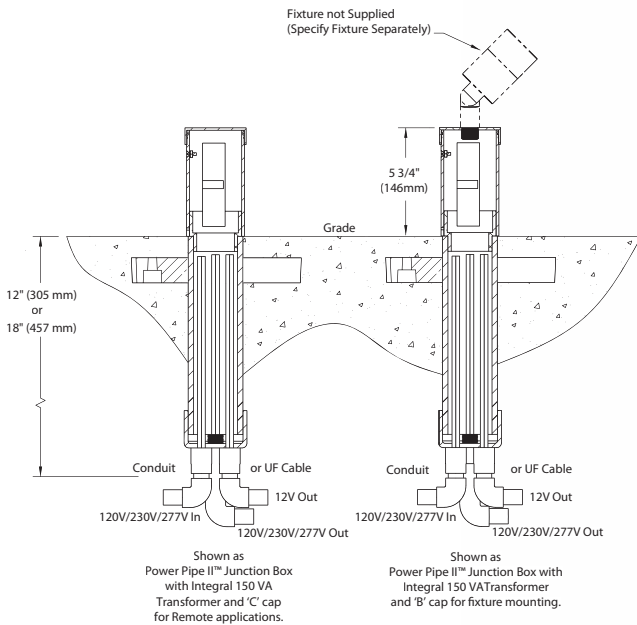
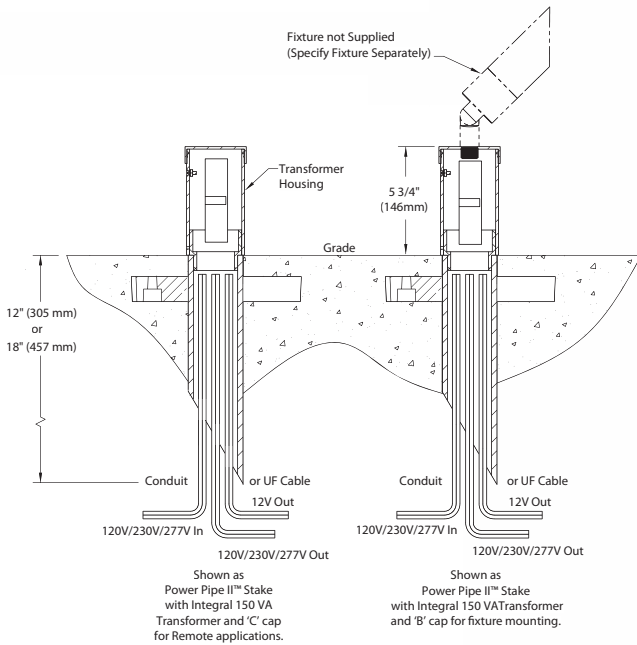


PPII

LOW VOLTAGE POWER PIPE II™

Power Pipe II™ provides a clean architectural transition from a low voltage lighting fixture into grade or can be utilized as a stand-alone transformer housing. Power Pipe II's optional 6" diameter stability flange keeps the entire installation on target in case of shifting or saturated soil or the occasional bump from landscaping maintenance. Power Pipe II™ minimizes installation time and reduces the overall footprint of the luminaire.

MATERIAL



OPTIONS & ACCESSORIES



1111



Power of 'e'
(BKSSL*)



Adjust-e-Lume*
(BKSSL*)



Low Voltage

KMJ

LOW VOLTAGE STAKE MOUNT™

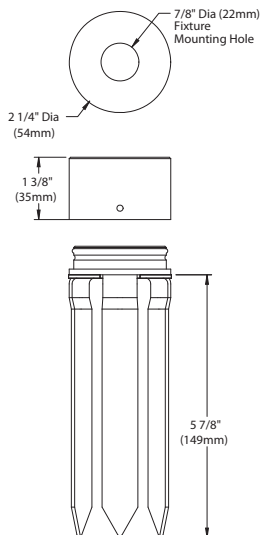
The KMJ Stake Mount Junction Box is the perfect accessory for a growing landscape. The stealthy accessory allows a solid state or low voltage fixture to be placed with ease into soil and be easily relocated as the growing landscape deems necessary.

MATERIAL



Nite Star™ shown
with optional 360SL™ Knuckle
in Satin Aluminum (SAP) finish

Shown in Brass
Mitique™ (MIT) finish



LOW VOLTAGE POWER CANOPY™

PC



MATERIAL



FOR USE WITH



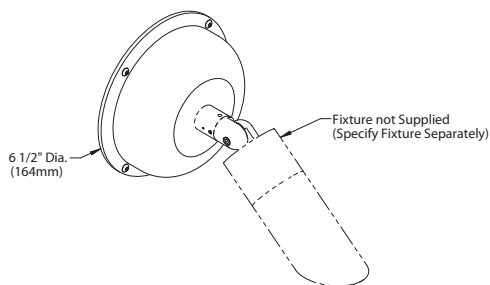
Options

Power Canopy™ is a fully machined, wet location remote transformer housing that can be wall or ceiling mounted with a single or dual fixture setup. Power Canopy is fully compatible with solid state BKSSL® LEDs and low voltage luminaires using our 360SL™ Mounting system providing unprecedented, toothless bi-axial control. This system, because of its multi taper-lock design, provides complete vertical and horizontal rotation because it does not rely on aim-limiting fasteners like serrated teeth or bulky hardware found less sophisticated products. Two wire Knockouts™ accept 1/2" or conduit or Romex connectors.

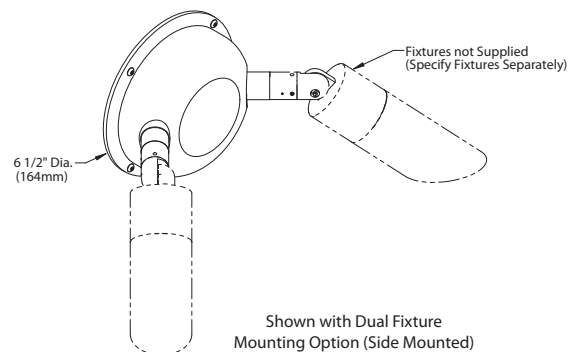


Delta Star™ Floodlight shown with 'A' Cap in Bronze Satin (BZP) finish

B-K LIGHTING | OPTIONS & ACCESSORIES



Shown with Single Fixture Mounting Option



Shown with Dual Fixture Mounting Option (Side Mounted)



Power of 'e'
(BKSSL®)



Adjust-e-Lume®
(BKSSL®)



Low Voltage

TS

LOW VOLTAGE TREE STRAP™

Tree Strap™ is a versatile tree mounting strap system that allows the lighting designer to use mounting positions previously not considered for use because of damage to the tree and the growth of the tree. Tree Strap™ uses no mounting screws, does not allow metal components to come in contact with the tree and allows for tree growth because the strap system is adjustable.

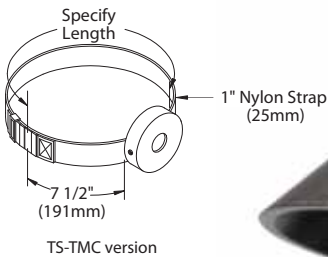
MATERIAL*



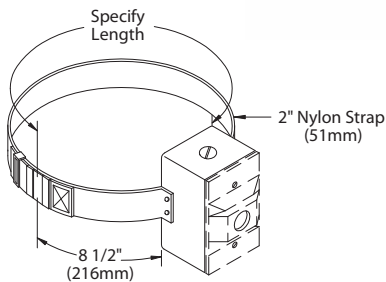
Delta Star™ Floodlight shown with 'A' Cap mounted on a TS-TMC in Black Satin (BLP) finish



Delta Star™ Floodlight shown with 'A' Cap mounted on a BC11 Canopy with an TS-MB2 box in Bronze Wrinkle (BZW) finish



TS-TMC version



TS-MB2 version
(shown with BC2 cover)

*Tree Strap with MB2 (TS-MB2) is only available in aluminum. See page 367 for Catalog ordering information.

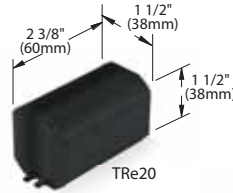
B-K LIGHTING | OPTIONS & ACCESSORIES

TRANSFORMER DATA

Electronic Low Voltage



Series	Input Voltage	Min. Load	Max. Load
TRe20	105-300 VAC	1W	20W



Halogen

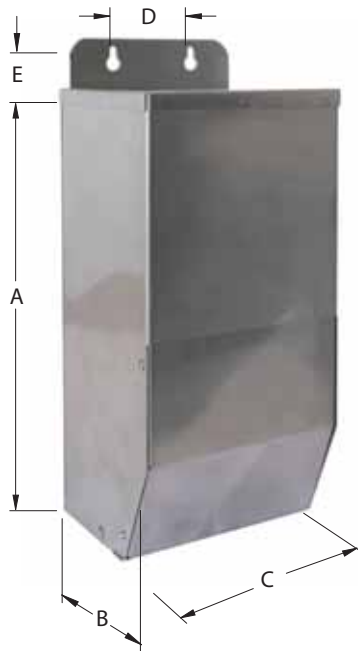
Series	Input Voltage	Max. Load Dimmed*	Min. Load Non-Dimmed	Max. Load
TRSS75	120V, 230V, 277V	40W	10W	75W
TRSS150	120V, 230V, 277V	40W	20W	150W

* Dimming not available in 230V or 277V



Magnetic Low Voltage

Series	Input Voltage	Max. Load	Weight	Height A	Depth B	C	D	E
TR60	120V or 277V	60W	3.7 lbs.	7-9/16"	2-15/16"	3-1/8"	1-1/2"	1"
TR150	120V or 277V	150W	6 lbs.	8-1/16"	3-11/32"	4-7/32"	2"	1-1/8"
TR300	120V or 277V	300W	7.13 lbs.	9-1/2"	4-5/8"	5-1/16"	2-7/16"	1-1/2"
TR600	120V or 277V	600W	14.9 lbs.	10-13/16"	5-1/32"	5-7/8"	4-1/4"	1-3/8"



Housing

Stainless steel, NEMA Outdoor 3R rated enclosure. [3] bottom entry 1/2" knockouts provide access to wiring compartment. Riveted, hinged cover opens vertically from bottom to top for service access.

Transformer

Fully encapsulated, 60VA, 150VA, 300VA, and 600VA Class B insulated, low voltage magnetic transformer. 120VAC or 277VAC input. 12VAC output (fully loaded). 0.6A (120VAC) or 0.3A (277VAC) maximum no load input current. Manual thermal reset. 25A secondary circuit breaker. Enclosure temperature <65° C when fully loaded (in 40° C ambient).

For use with halogen and B-K SSL products. Fully dimmable with halogen loads utilizing magnetic low voltage dimmers.

Wiring

18AWG input leads. 12AWG output leads. 105° C lead insulation.

Warranty

Limited five year warranty.

Certification and Listings

UL Listed to to ANSI/UL Standard 1012



LOW VOLTAGE GUIDE

Many B-K Lighting fixtures operate on 12 volts. Taking advantage of these energy-saving fixtures requires appropriate care in planning the electrical wiring system. To maintain expected lamp performance, we recommend the following procedures in sizing your low-voltage wiring system.

SIZING OF LOW VOLTAGE WIRING

1. Locate and plot fixtures on plan. Choose the lighting equipment necessary to create the desired lighting effects. Mark lamp wattage for each fixture location.
2. Identify potential transformer locations. The ideal locations are those which provide for the shortest possible low voltage distances (inconspicuous areas, behind rocks, shrubbery, etc., within the landscape). UPM™, Power Pipe™, Power Pipe II™, or, if available, electronic transformers integral in the fixture are good ways to hide the transformer and reduce voltage drop problems.
3. Add the total wattage for the proposed low voltage run. Measure the wire lengths from the transformer to the fixture locations. Find the distance to the "CENTER OF LOAD" of the low voltage run.

$$\text{CENTER OF LOAD} = \frac{\text{Distance from first to last fixture}}{(2) \text{ Two}} + \text{Distance from transformer to first fixture}$$

4. Using the B-K Lighting Wire Selection Table, select the wattage column which applies. Look down the column stopping at a distance, in feet, that is equal or greater than the "CENTER OF LOAD" distance. Look across to find the proper wire size for your layout.

Note: In the event of multiple runs from a given transformer, treat each run separately.

12-VOLT WIRE SELECTION TABLE

WIRE SIZE	TOTAL WATTAGE																	
	12	20	24	35	40	50	60	70	80	100	105	120	140	150	160	200	250	
12	178	106	89	60	53	42	35	30	26	21	20	17	15	13	—	—	—	
10	283	169	141	96	85	67	56	48	42	33	32	28	24	22	19	17	13	
8	450	269	225	154	135	107	90	77	67	54	51	45	38	36	31	27	21	
6	715	428	357	245	214	171	143	122	107	85	81	71	61	57	49	42	34	

CENTER OF LOAD WIRING DISTANCES IN FEET

The Wire Selection Table provided is based on a maximum allowable voltage drop of 5%. Electrical designs which allow greater than 5% voltage drop, reduce rated light output beyond acceptable levels.

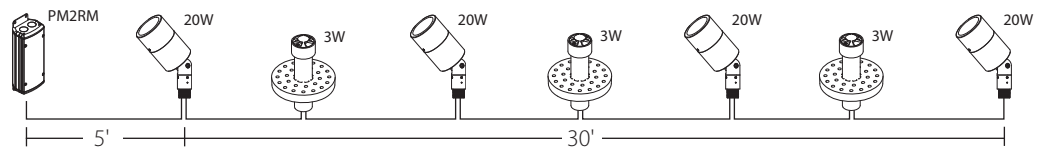
The importance of the proper wire selection is demonstrated below. Both examples have the same total watts and identical overall lengths of wire run, yet require different wire sizes, or multiple wire runs, to operate within the 5% maximum voltage drop B-K Lighting criteria.

EXAMPLE:

Total wattage:
(20w x 4) + (3w x 3) = 89 watts

CENTER OF LOAD:
 $\frac{(30')}{2} + 5' = 20'$

SINGLE WIRE RUN:
12 gauge

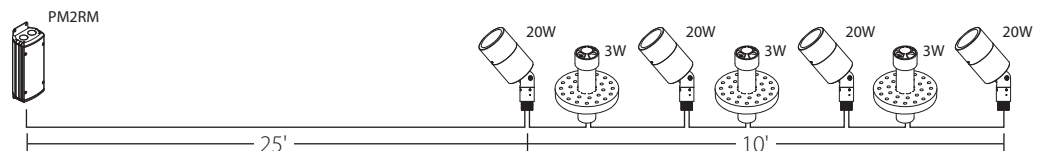


EXAMPLE

Total wattage:
(20w x 4) + (3w x 3) = 89 watts

CENTER OF LOAD:
 $\frac{(10')}{2} + 25' = 30'$

SINGLE WIRE RUN:
10 gauge



ELECTRONIC TRANSFORMERS

For areas which are far reaching from fixtures, running 120 volt power to each fixture location with individual electronic transformers, such as TRSS75 or TRSS150, provides an excellent economic solution to voltage drop. These transformers can also be specified in the UPM™, Power Pipe™, Power Pipe II™ and Power Canopy™ transformer housings.

Note: Installations should be in accordance with the National Electric Code and applicable local codes.

OPTIONS |

MATERIAL



BC6 (Recessed Box Cover)

- 5" Dia. (127mm) Machined Canopy
- 7/8" Dia. (22mm) Slip Hole for use with 1/2" (13mm) I.P. Threaded Nipple



BC7 (Recessed Box Cover)

- 3 1/2" Dia. (89mm) Machined Canopy
- 7/8" Dia. (22mm) Slip Hole for use with 1/2" (13mm) I.P. Threaded Nipple



BC12 (Surface Box Cover)

- 4 1/4" Dia. (108mm) Machined Canopy
- 7/8" Dia. (22mm) Slip Hole for use with 1/2" (13mm) I.P. Threaded Nipple



BC8 (Recessed Box Cover)

- 5" Sq. (127mm) Machined Canopy
- 7/8" Dia. (22mm) Slip Hole for use with 1/2" (13mm) I.P. Threaded Nipple



BC9 (Recessed Box Cover)

- 3 1/2" Sq. (89mm) Machined Canopy
- 7/8" Dia. (22mm) Slip Hole for use with 1/2" (13mm) I.P. Threaded Nipple



BC10 (Recessed Box Cover)

- 3" x 5" (76mm x 127mm) Machined Rectangular Canopy
- 7/8" Dia. (22mm) Slip Hole for use with 1/2" (13mm) I.P. Threaded Nipple



BC11 (Surface Box Cover)

- 2 7/8" x 4 5/8" (73mm x 118mm) Machined Rectangular Canopy
- 7/8" Dia. (22mm) Slip Hole for use with 1/2" (13mm) I.P. Threaded Nipple



Tree Mount Canopy (TMC)

- 2 9/16" Dia. (65mm) Machined Canopy
- 7/8" Dia. (22mm) Slip Hole for use with 1/2" (13mm) I.P. Threaded Nipple
- 1/2" (13mm) Wiring Hole



Surface Mount Canopy (SMC)

- 2 9/16" Dia. (65mm) Machined Canopy
- 7/8" Dia. (22mm) Slip Hole for use with 1/2" (13mm) I.P. Threaded Nipple



Tree Mount Junction Box (TMJ)

- 2 1/4" Dia. (57mm) Machined Canopy
- 7/8" Dia. (22mm) Slip Hole for use with 1/2" (13mm) I.P. Threaded Nipple
- 1/2" (13mm) Wiring Hole



Surface Mount Junction Box (SMJ)

- 2 1/4" Dia. (57mm) Machined Canopy
- 7/8" Dia. (22mm) Slip Hole for use with 1/2" (13mm) I.P. Threaded Nipple

OPTIONS

MATERIAL



RC6 (Ring Mount Canopy)

- 5" Dia. (127mm) Machined Canopy
- 7/8" Dia. (22mm) Slip Hole for use with 1/2" (13mm) I.P. Threaded Nipple
- Not to exceed maximum weight of 25 lbs.



RC7 (Ring Mount Canopy)

- 3 1/2" Dia. (89mm) Machined Canopy
- 7/8" Dia. (22mm) Slip Hole for use with 1/2" (13mm) I.P. Threaded Nipple
- Not to exceed maximum weight of 25 lbs.



MATERIAL



RC12 (Ring Mount Canopy)

- 4 1/4" Dia. (108mm) Machined Canopy
- 7/8" Dia. (22mm) Slip Hole for use with 1/2" (13mm) I.P. Threaded Nipple
- Not to exceed maximum weight of 25 lbs.



RC8 (Ring Mount Canopy)

- 5" Sq. (127mm) Machined Canopy
- 7/8" Dia. (22mm) Slip Hole for use with 1/2" (13mm) I.P. Threaded Nipple
- Not to exceed maximum weight of 25 lbs.



RC9 (Ring Mount Canopy)

- 3 1/2" Sq. (89mm) Machined Canopy
- 7/8" Dia. (22mm) Slip Hole for use with 1/2" (13mm) I.P. Threaded Nipple
- Not to exceed maximum weight of 25 lbs.



RC10 (Ring Mount Canopy)

- 3" x 5" (76mm x 127mm) Machined Rectangular Canopy
- 7/8" Dia. (22mm) Slip Hole for use with 1/2" (13mm) I.P. Threaded Nipple
- Not to exceed maximum weight of 25 lbs.



MATERIAL



RC11 (Ring Mount Canopy)

- 2 7/8" x 4 5/8" (73mm x 118mm) Machined Rectangular Canopy
- 7/8" Dia. (22mm) Slip Hole for use with 1/2" (13mm) I.P. Threaded Nipple
- Not to exceed maximum weight of 25 lbs.



Ring Mount Micro Nite Star™
shown with 'D' Cap
mounted on a RC6 Canopy
in Bronze Satin (BZP) finish

ACCESSORIES

MATERIAL



BC1 (Box Cover)

- 4 5/8" x 2 7/8" (118mm x 73mm)
Cast Rectangular Canopy
- 1/2" (13mm) I.P. Threaded Hole



BC2 (Box Cover)

- 4 5/8" x 2 7/8" (118mm x 73mm)
Cast Rectangular Canopy
- (2) 1/2" (13mm) I.P. Threaded
Holes for Dual Fixtures



BC3 (Blank Box Cover)

- 4 1/2" x 2 3/4" (114mm x 70mm)
Cast Rectangular Canopy



BC4 (Box Cover)

- 4 1/2" Dia. (114mm)
Cast Canopy
- 1/2" (13mm) I.P. Threaded Hole



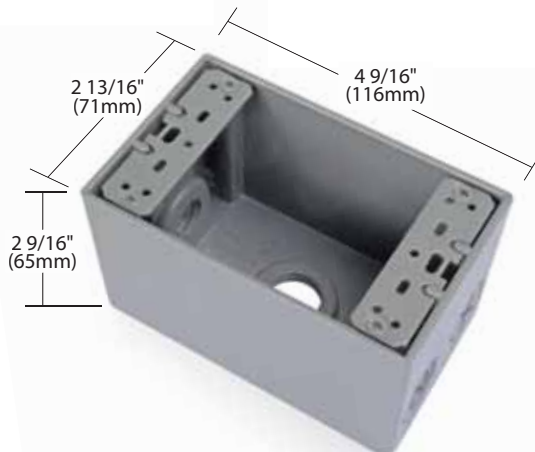
BC5 (Box Cover)

- 4 1/2" Dia. (114mm)
Cast Canopy
- (2) 1/2" (13mm) I.P. Threaded
Holes for Dual Fixtures



Stems (ST-Length)

- 1/2" (13mm) I.P. Female Threaded
Both Ends
- Provided with a 1/2" (13mm)
close nipple when ordered as a
standalone piece
- Available in 3", 6", 12", 18", 24", 30",
and 36" lengths



MB2 (Rectangular Box)

- 1/2" (13mm) I.P. Threaded Holes
- Cast Aluminum Box



MB3 (Round Box)

- Suitable for Concrete Pour
- Cast Aluminum Box
- (5) 1/2" (13mm) I.P. Threaded Holes

RECEPTACLE BOLLARD

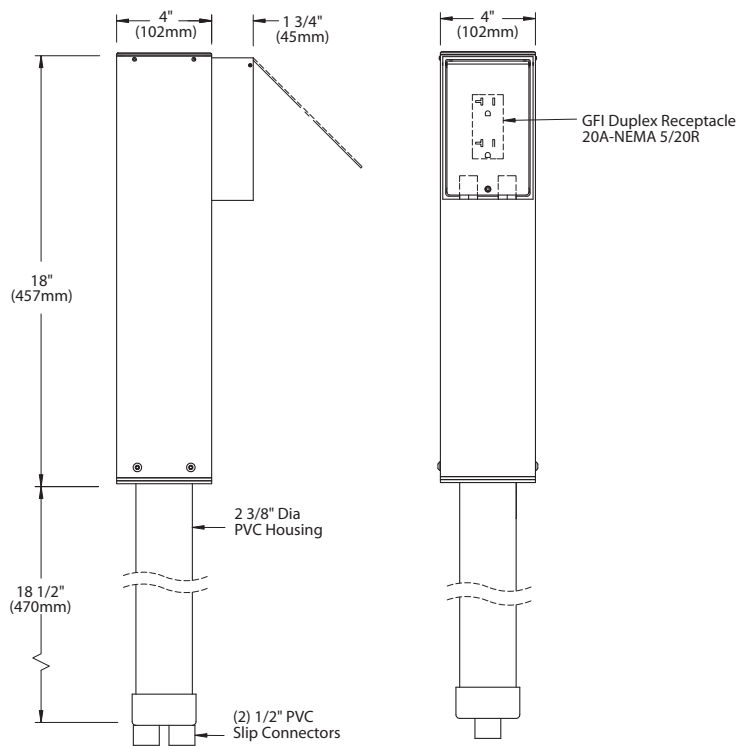
RB

Receptacle Bollard provides clean and safe power for maintenance and landscape crews, laborers, seasonal holiday and temporary lighting in a modern, architecturally sophisticated water tight enclosure. The aluminum machined base is removable and is posted on 2 3/8" diameter PVC which includes two 1/2" slip connectors for electrical power distribution.

MATERIAL



Shown in Bronze Satin (BZP) finish



PRECISION2[®] ACCESSORIES

MATERIAL



Glare Shield (GS-A)

- 3-1/4" H x 3-1/8" Dia. Lens (82mm x 79mm)
- Rotates 360° independent of faceplate orientation and locks into place.



Glare Shield (GS-B)

- 3-1/4" H x 5-3/4" Dia. Lens (82mm x 146mm)
- Rotates 360° independent of faceplate orientation and locks into place.



Rock Guard (RG)

- 2" H x 5-1/2" Dia. Lens (51mm x 140mm)
- Rotates 360° independent of faceplate orientation and locks into place.



Rock Guard with Optical Opening (RO)

- 2" H x 5-1/2" Dia. Lens (51mm x 140mm)
- Rotates 360° independent of faceplate orientation and locks into place.



Half Dome (HD-A)

- 3-1/4" H x 3-1/8" Dia. Lens (82mm x 79mm)
- Rotates 360° independent of faceplate orientation and locks into place.



Half Dome (HD-B)

- 3-1/4" H x 5-3/4" Dia. Lens (82mm x 146mm)
- Rotates 360° independent of faceplate orientation and locks into place.



Dome Glass (DG)

- Replaces flat glass

TENAYA2[®] ACCESSORIES

MATERIAL



Half Dome (HD)

- 3-1/4" H x 8-3/4" Dia. Lens (95mm x 222mm)
- Dome Lens Included
- Rotates 360° independent of faceplate orientation and locks into place.



Glare Shield (GS)

- 3-1/4" H x 8-3/4" Dia. Lens (95mm x 222mm)
- Dome Lens Included
- Rotates 360° independent of faceplate orientation and locks into place.



Rock Guard (RG)

- 3-1/4" H x 8-3/4" Dia. Lens (95mm x 222mm)
- Dome Lens Included
- Rotates 360° independent of faceplate orientation and locks into place.



Rock Guard with Optical Opening (RO)

- 3-1/4" H x 8-3/4" Dia. Lens (95mm x 222mm)
- Dome Lens Included
- Rotates 360° independent of faceplate orientation and locks into place.



Internal Cutoff Louver (IC)



Dome Glass (DG)

- Replaces flat glass



Extra Load Lens (XL)

- Rated for 55,000 lb. GVW drive-over load (Standard flat lens rated for 35,000 GVW)



TC IN-GRADE LENS TRACTION CONTROL®

The Americans with Disabilities Act of 1990 requires that newly-constructed or altered ground and flooring surfaces be stable, firm, and slip resistant. No standards or measurements were specified in the ADA's scope or technical provisions, however the ADAAG Appendix contains advisory recommendations for slip resistance values derived from its research.



A slip resistant surface is one that "provides sufficient frictional counterforce to the forces exerted in walking to permit safe ambulation."⁽¹⁾

Definition

Two terms are generally used in the discussion of slip resistance. The first is Coefficient of Friction (COF). COF is the frictional force opposing the sliding motion, divided by the force (weight) perpendicular to the surface. The second is Static Coefficient of Friction (SCOF). SCOF is the measurement of the force necessary to initiate movement of an object resting on a given surface. For example, if a 10 lb. force is required to initiate movement of a 20 lb. weight resting on a surface, its SCOF is 10 divided by 20, or 0.5.

SCOF is generally recognized as the common performance measurement for slip resistance in the United States and has been adopted by the National Bureau of Standards, OSHA, and the ADA. While there is no universally accepted standard, most codes recognize an SCOF of 0.5 as an acceptable safety threshold.⁽²⁾

Standard

While there are many standards for measuring SCOF, our Traction Control Lens® has been tested and certified to ASTM F 1679-00. This standard has been developed specifically for the evaluation of wet surfaces. When a test pad is placed on a wet surface, a percentage of the water becomes squeezed between the materials in a thin layer. This water layer increases the degree of adhesion (called sticktion) between the materials, resulting in an artificially high SCOF measurement. As sticktion occurs almost instantly, only testing that measures the vertical and horizontal forces simultaneously yields a meaningful SCOF value.

How the Traction Control Lens® Works

Unlike traditional slip resistant techniques, which include sand or bead blasting patterns or grooves into the surface of the glass, our Traction Control Lens® actually imbeds angular particles of aluminum oxide directly into the glass surface. These particles increase surface roughness by extending up through water or other contaminants and effectively engage the shoe bottom (See Fig. A). Because the Traction Control Lens® bonds directly into the glass material, it will not become dislodged during use.

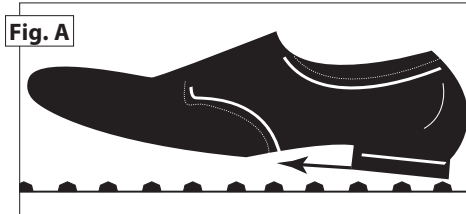


Fig. A
The dangerous heel-slide that produces the most common fall on smooth surfaces is controlled by these angular protrusions on our Traction Control Lens®.

On the other hand, sand or bead blasted channels can fill with water or debris, reducing the SCOF value. (See Fig. B).

Fig. B

Comparative SCOF Measurements

Material	Dry	Wet
Traction Control Lens®	1.00	0.73
Flat Glass	1.00	0.46
Concentric Rings	1.00	.45
Groove Pattern	.83	.41

Use of the Traction Control Lens® results in a certified SCOF of 0.73, pursuant to ASTM Std. F 1679-00 and exceeds the ADA recommended level by 46%.

Static Coefficient of Friction Measurement

Material	Dry	Wet
Glass Lens	1.00	0.46
Traction Control Lens®	1.00	0.73

ASTM F 1679-00

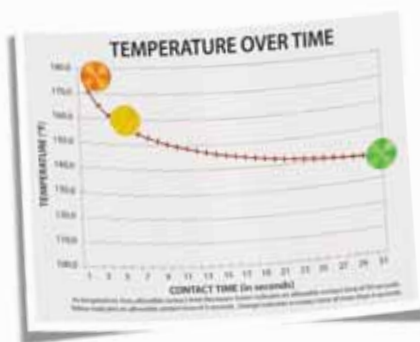
⁽¹⁾ U.S. Access Board, August 2003

⁽²⁾ ASTM Practices for Safe Walking Surfaces, ANSI A117 on Accessibility of Facilities to the Handicapped, NFPA 101 Life Safety Code, Uniform Federal Accessibility Standards, ADA Guidelines, BOCA, and UBC.

ICEE™ INTERSTICE COOLING EVACUATED ENCLOSURE

What is ICEE™?

ICEE™, or Interstice Cooling Evacuated Enclosure, is a significant advancement in the science of temperature management. It effectively reduces surface lens temperatures without compromising lumen output or optical control. ICEE™ is available on all aluminum HP2™ and TY2™ Faceplates.



How does ICEE™ work?

ICEE™'s patented* system effectively reduces the transfer of thermal energy to the luminaire's lens and faceplate. To do so, ICEE™ employs a vacuum-sealed chamber, or interstice, between the lamp and the surface.

B-K Lighting's patented ACV™ valve* evacuates the air from the interstice, reducing the number of air and water molecules available to transfer heat. The valve also eliminates any condensation that may otherwise be present within the luminaire.

Why does ICEE™ work?

Without air and water molecules, there is significantly less heat transfer to the top of the luminaire. In addition, the ICEE™ chamber is designed to transfer the lamp's thermal energy toward the side of the fixture and not the lens.

Is ICEE™ effective?

The ICEE™ lens reduces the 'true' hot spot by an average of 38%, when measuring in °F. At the same time, lumen output is an amazing 90+% versus standard products. ICEE™ minimally adds 2" to fixture depth, allowing a full 360° horizontal by up to 30° vertical optical adjustment and minimizing the impact in beam distribution.

Is there a safety standard for lens temperature?

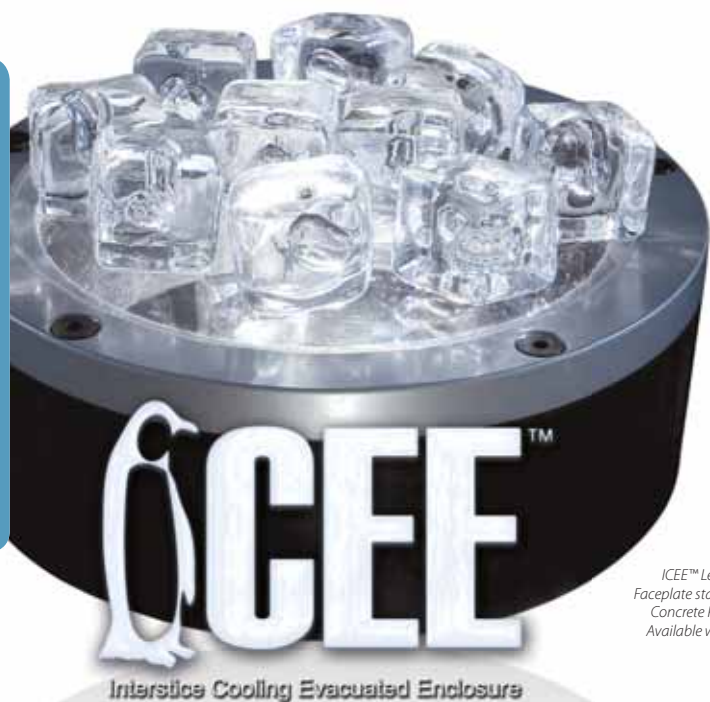
Given the absence of any U.S. standard in this area, B-K Lighting has adopted a 'common sense' standard to guide our product development:

1. Not every system can be made safe. We understand that many lamp and wattage choices available will simply not permit installation into areas of pedestrian contact.
2. European standards establish a 160°F temperature threshold that permits contact time up to 4 seconds without injury. B-K Lighting has adopted this threshold as its maximum ICEE™ temperature for areas of pedestrian contact. Systems that fall within this range are listed in the chart at right in the "Yellow" Zone. Systems that exceed this temperature are listed in the "Orange" Zone.
3. Temperatures of 140°F or lower permit contact time up to 30 seconds without injury (see chart). B-K Lighting has adopted this threshold as safe for sustained contact. Systems that fall within this range are listed in the chart at right in the "Green" Zone.

What is the testing method to establish temperature?

B-K Lighting conducts heat tests pursuant to UL standards, in a controlled ambient of 23°C. In addition, pursuant to standard, all test products are packed in sand, to simulate the "worst case" performance scenario.

To conduct a test, first the luminaire's "true" hot spot is established. Then, the fixture is returned to ambient temperature. Because lamp, wattage, and distribution configurations differ, the luminaire is then energized for a full 8 hour cycle. This allows sufficient time to achieve the maximum sustained temperature on the upper lens. During this time, continuous infrared measurements are recorded at the hot spot to establish the effectiveness of the ICEE™ lens.



*ICEE™ Lens shown on HP2.
Faceplate standard aluminum only.
Concrete Pour Collar included.
Available with HP2™ and TY2™.*

Interstice Cooling Evacuated Enclosure

KNOW YOUR

ICEE

ZONES

SUSTAINED CONTACT



30 SECONDS

PEDESTRIAN CONTACT



4 SECONDS

MINIMAL CONTACT



< 4 SECONDS

MR16 HALOGEN

Precision	1	2	3	4	5	6	7	8	9	15	16	17	32	33	34
TENAYA	1	2	3	4	5	6	7	8	9	15	16	17	32	33	34

PAR36 HALOGEN

Precision	400	401	402	403	404	405
TENAYA	400	401	402	403	404	405

GU10 LINE VOLTAGE

424	425	426	427
424	425	426	427

PAR20 HALOGEN

406	407
-----	-----

AR111 HALOGEN

Precision	35	36	37	38	39	40	41	42	43			
TENAYA	35	36	37	38	39	40	41	42	43	44	45	46

PAR30L HALOGEN

Precision	408	409	410	411	412	413
TENAYA	408	409	410	411	412	413

T4 HALOGEN

148	148	150	151	152	153
-----	-----	-----	-----	-----	-----

PAR38 HALOGEN

TENAYA	414	415	416	417	418	419	420	421	422	423
---------------	-----	-----	-----	-----	-----	-----	-----	-----	-----	-----

ES16 METAL HALIDE

Precision	276	277	279	310	311	312
------------------	-----	-----	-----	-----	-----	-----

PAR20 METAL HALIDE

58	59	308	309
----	----	-----	-----

T4.5 METAL HALIDE

278	314
-----	-----

PAR38 METAL HALIDE

TENAYA	66	67	68	69	70	71	72	73	74	138
---------------	----	----	----	----	----	----	----	----	----	-----

E17 METAL HALIDE

Precision	106	107	110	111						
TENAYA	106	107	110	111	114	115	116	117	118	119

PAR30 METAL HALIDE

60	61	62	63
60	61	62	63

CDM-R111

Precision	270	271	272	273	274	275
TENAYA	270	271	272	273	274	275

T6 METAL HALIDE

81	82	
81	82	136

COMPACT FLUORESCENT

100	101	102	103
100	101	102	103

*CEE™ and its features are covered in whole or in part by U.S. Patent Numbers 7,560,148 B2; 6,254,258 B1 and 7,249,867 B2.

ACV™ ACV ANTI-CONDENSATION VALVE

The patented Anti-Condensation Valve* (ACV™) has revolutionized the way we control internal condensation and all the inherent problems that condensation may cause. The ACV™ controls condensation by not allowing it to form — by creating an atmosphere in which condensation cannot exist.

It is widely known that all outdoor lighting fixtures must breathe. When the fixture is on, the heat of the lamp causes the air inside the fixture to expand. As the pressure builds, the expanded air tries to escape anywhere it can: through the weakest mechanical fastener, through the sealing surface or through holes in the fixture put there by the manufacturer for this purpose. When the fixture is shut off, the air pressure inside the fixture collapses. This change in pressure draws outside moisture-laden air back into the fixture. When the temperature reaches dew point, the air condenses into water droplets that coat every component inside the fixture and begins to corrode it from the inside out. Over the years, manufacturers have tried many ways to control this contamination. Nothing has really worked, until now.

The ACV™ system works as a one-way valve in its normal position. When the fixture is energized and the pressure builds inside, the static air inside the optical chamber is allowed to escape through the ACV.™ When the fixture is turned off and the pressure collapses, the ACV™ prevents air from returning into the lamp chamber. Since all other components are hermetically sealed, a vacuum is then formed inside the lamp chamber which precludes the formation of condensation.

The air pressure will equalize when the faceplate is removed for lamp service. The process automatically repeats itself — normal operation of the fixture reinitiates the vacuum which prevents condensation from forming. Nothing could be easier and nothing is equal to the patented Anti-Condensation Valve (ACV™).

SEAL
Self Evacuating Air-Tight Lamp Module



WATER TIGHT INSTALLATION

HYD

HYDROLOCK®

How to create a water-tight installation? Is it that easy?

Absolutely, it's that easy! Our solution turned out to be so simple that if you have ever canned peaches in your grandmother's kitchen, you have learned how to seal our Precision2® and Tenaya2® In-Grade fixtures.

Mr. Kerr invented a small flat metal disk with a permanent composition gasket in 1915 called the lid. The lid sealed on the top of a mason jar; a threaded metal ring held the lid in place. This two-part lid system transformed home canning safety and is still in use today.

The secret is our patented HydroLock® plate.* It works just like a mason jar lid and threaded metal ring –it seals above the conduit entrance, where 80% of all leaks occur. The HydroLock® plate eliminates the need for encapsulants or potting compounds that are normally used to try and create a watertight installation at the conduit entries on the composite housing. The HydroLock® plate is your first line of defense for unsuccessful pipe seals.

Our approach to the problem relied on highly engineered components and a design so advanced that it resulted in our third U.S. Patent application for Precision2® and Tenaya2® In-Grade fixtures. Patented HydroLock® technology protects the wiring system by providing a fail-safe water barrier between the junction box and interior components. Anti-Siphon Valve™ (ASV™) prevents “wicking” through the conductor’s insulation. Wires can act as straws, our exclusive ASV™ process guards against moisture. Patented Anti-Condensation Valve (ACV™)* eliminates condensation from the fixture’s interior.

Patented HydroLock® technology consists of a hydrological barrier plate for in-grade light fixture housings and to prevent water entry into the water sensitive compartments of the light fixture. The barrier plate has a plate body with an opening in which an anti-siphon wire pass-through valve connects electrical components on one side of the barrier plate with the wires in the junction box on the opposite side of the barrier plate. The barrier plate is sealed around its outer edge against the housing wall.

The pass-through valve is configured to prevent water from wicking along the wires and to prevent water from passing around the valve. The barrier plate is installed without tools and an effective seal is easily obtained. Using the barrier plate, water is prevented from migrating between the junction box and the primary housing compartments of the housing.

The ACV™ system works as a one-way valve in its normal position. When the fixture is energized (turned on) and the pressure builds, the static air inside the lamp chamber is allowed to escape through the ACV™ valve. When the fixture is de-energized (turned off) and the pressure collapses, the ACV™ prevents air from returning into the lamp chamber. Since all other components are hermetically sealed, a vacuum is then formed inside the lamp chamber which makes it impossible for condensation to develop.

Water is the main enemy of in-grade lighting. The integrated components of the Precision2® and Tenaya2® Water Management System represents a whole new way of handling the problem, resulting in years of trouble-free performance.



*HydroLock Plate® and its features are covered in whole or in part by U.S. Patent Numbers 7,033,038; 6,254,258 B1; 7,249,867 B2; and 7,370,988 B2.

L.O.C.K.TM LOCKING O-RING COMPRESSION KNUCKLE

The LOCKTM (Locking 'O' Ring Compression Knuckle) is an evolutionary step forward in floodlighting design. The most dynamic installation can be degraded by bad aiming or by the fixture's inability to maintain precise positioning. By improving the mechanical engineering, and design of our original machined knuckle, The LOCKTM eliminates these aiming and adjustment issues.

The LOCKTM is made up of two machined elements which create an internal taper lock. The parts are drawn together by a tamper-proof, stainless steel locking screw. Between the two machined parts is a high temperature 'O' Ring.

This mechanical compression design allows the user to aim the fixture vertically without the use of tools, allowing for those very important, very slight, tweaking adjustments without the redundant tightening and loosening that most knuckles require. Once adjusted, the floodlight is locked into place by hand-tightening the recessed locking screw. The LOCKTM eliminates the need for the serrations found on most knuckle systems, which allow only incremental, and therefore limited, aiming of the fixture. The 'O' Ring between the machined parts not only provides a water-tight seal, but it also puts a pressure loading on the threads of the lock screw so that vibrations will not cause it to loosen. This happens quite often with most other knuckles. The use of machined 6061-T6 aluminum alloy provides mechanical strengths far beyond that of any cast knuckle, ensuring that our knuckle is the strongest part of the lighting fixture, not the weakest link.

This mechanical compression fit is so strong, it holds position when subjected to 29+ ft. lbs. of torque. What does that mean in the installed environment? Simply put, it would take a static load of 73lbs. at the end of the fixture cap to create any movement in the knuckle whatsoever.

The elegantly simple design of the LOCKTM ensures that B-K Lighting floodlights will maintain their focus in the toughest of outdoor environments. For piece of mind, all B-K Lighting products come with a 5 year warranty.

LOCKTM
Locking 'O' Ring Compression Knuckle
locking 'O' Ring Compression Knuckle



TECHNOLOGY

360SL/360HD

AIM & LOCK

The L.O.C.K.™ on many B-K Lighting products have an option to incorporate the 360SL™ knuckle which provides 360° of horizontal rotation in addition to the fixture's ability to be aimed vertically. Larger fixtures incorporate the patented 360HD™ knuckle.* The various components of each form B-K Lighting's "aim-and-lock" technology.

Two simple Allen wrenches are all that is needed to free both aiming axes. Both the vertical component and the horizontal component can be easily adjusted independently of the other. Since the L.O.C.K.™, the 360SL™ and the 360HD™ don't use serrated teeth minute and exacting adjustments can be made within an unlimited range.

This "aim and lock" technology is made up of three machined aluminum components: the short knuckle, the long knuckle and the mounting nipple, along with two stainless steel lock screws, and up to four high temperature 'O' rings. The 'O' ring between the long and the short knuckle not only provides a water-tight seal, but it also puts a pressure on the threads of the vertical-aiming lock screw so that vibrations will not cause the locking screw to loosen. The mechanical compression fit of these precisely-machined tapers create a complete positive lock.

The short knuckle mounts to the back of the fixture and incorporates an 'O' ring to insure a positive seal between the knuckle and the fixture housing. The long knuckle incorporates the aiming lock screws that lock the horizontal (rotational) and vertical-aiming positions. The 1/2" mounting nipple incorporates two 'O' rings, one at its base to create a seal between the nipple and the device to which it is mounted and one at the top to create a seal between itself and the inside of the long nipple. A stainless steel pin within the base is used to create a 360° stop so that the fixture wiring cannot be damaged during rotational aiming.

These various parts make up B-K Lighting's "aim-and-lock" technology and was so groundbreaking when introduced, the heavy duty 360HD™ was awarded a patent (6,161,948) in the year 2000. The use of machined 6061-T6 aluminum alloy provides mechanical strengths far beyond that of any cast knuckle.



*360HD™ and its features are covered in whole or in part by U.S. Patent Number 6,161,948

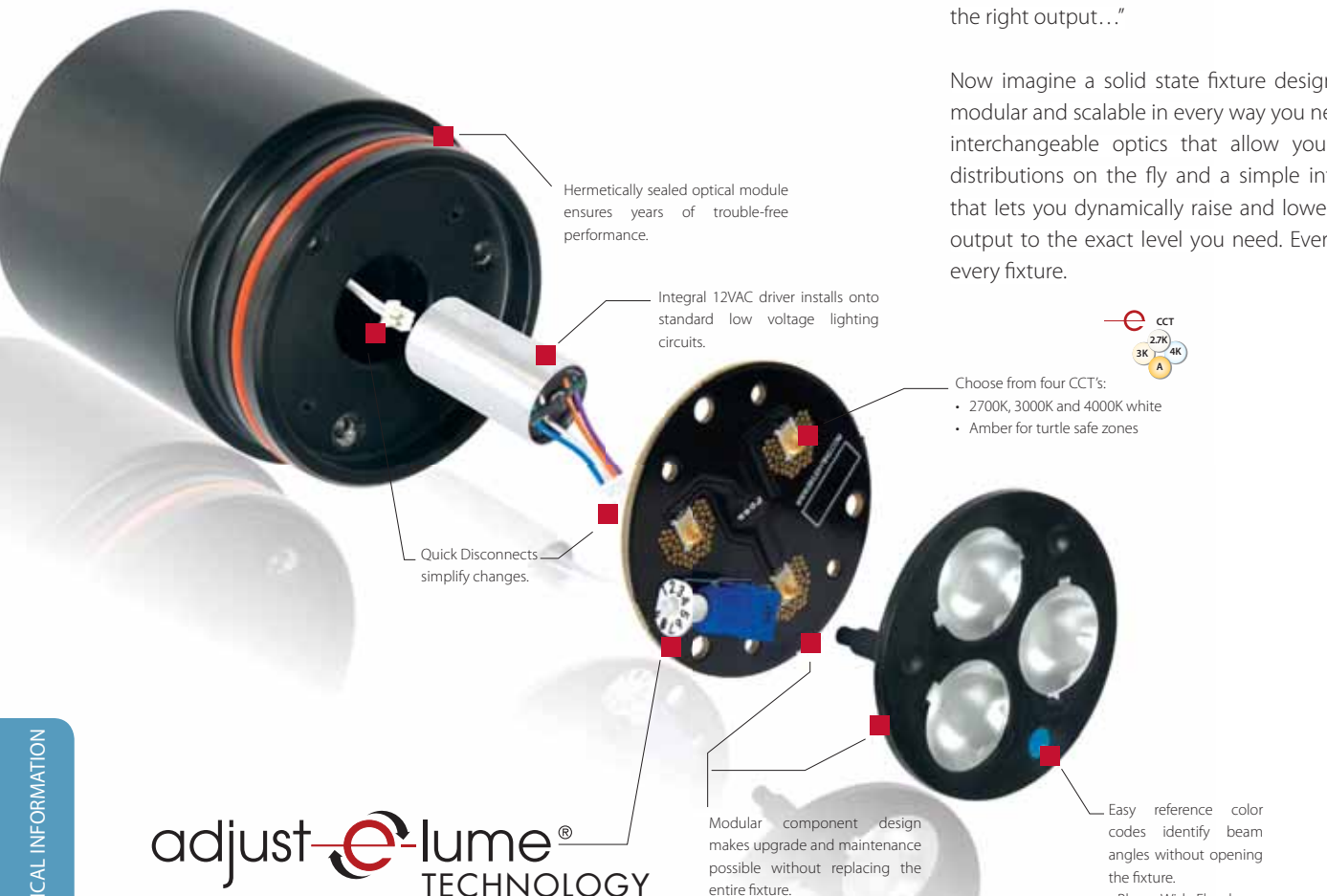
POWER OF **e** | **BKSSL**® TECHNOLOGY



the power of **e** changes **EVERYTHING**
everything **CHANGES**

There you are, aiming your latest project when it hits you. They've installed the wrong wattage lamps and your fixtures are just too bright. The client is due within the hour. So you rush over to your toolbox, hoping you've brought enough spare lamps with the right beam spreads and wattages to make your deadline. "At least these weren't LED" you think to yourself. "I'd have to re-order brand new units with the right output..."

Now imagine a solid state fixture designed to be modular and scalable in every way you need – with interchangeable optics that allow you to swap distributions on the fly and a simple internal dial that lets you dynamically raise and lower the light output to the exact level you need. Every time. At every fixture.



adjust-e-lume® TECHNOLOGY

Patent pending design allows dynamic lumen response at each individual fixture. Indexed (100% to 25% nom.) lumen output. Maintains output at desired level or may be changed as conditions require.





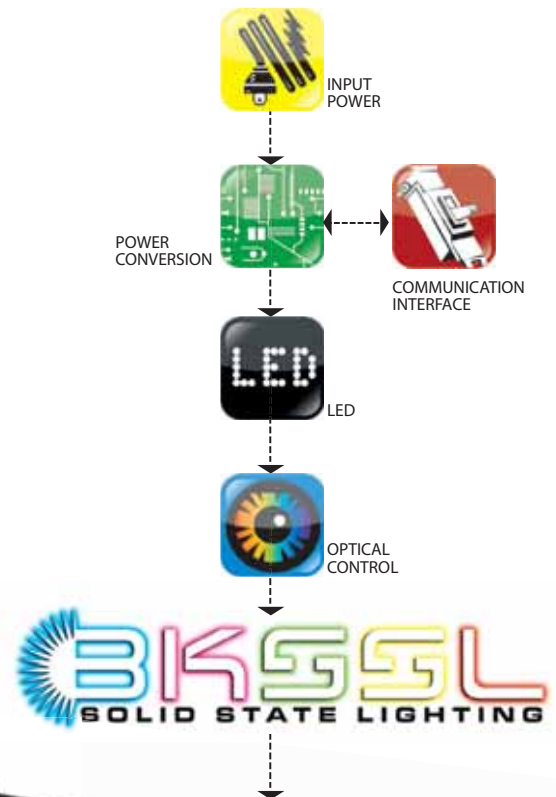
Lamp bracket allows up to 24° vertical aiming control. Mounting screws assist with simple relamping. Available for back box only.

All BKSSL® products are independently tested in situ to validate performance claims. LM-79 ensures reliable photometry, CCT, CRI, and system efficacy. LM-80 validates LED lumen maintenance. Lighting Facts labels verify product performance using actual test data.



Side emitting optical grade lens puts the light exactly where needed.

more than JUST LED's



Exclusive OPTIKITS™ — Interchangeable modules that let you easily swap distributions in the field. A wide selection of beam angles puts the light exactly where you need it.

It's common sense, heat fins fill with dirt and don't work when the product is mounted on the ground. Our fixture body IS the heat sink to ensure effective thermal management.



APPLICATION

A fully INTEGRATED SYSTEM

POWER OF X | BKSSL[®] TECHNOLOGY



The power of 'X' is modular.
 The power of 'X' is scalable.
 The power of 'X' is near perfect.

Exclusive OPTIKITS™ — Interchangeable modules that let you easily swap distributions in the field. A wide selection of beam angles puts the light exactly where you need it.



Wide Flood (60°)

Flood (40°)

Spot (20°)

Quick Disconnects
 simplify changes.

Modular component design makes
 upgrade and maintenance possible
 without removing the entire system.

Choose from three CCT's:
 • 2700K, 3000K and 4000K

Hermetically sealed optical module
 ensures years of trouble-free
 performance.

It's common sense, heat
 fins don't work when the
 product is mounted on
 the ground. Our fixture
 body IS the heat sink to
 ensure effective thermal
 management.

B-K LIGHTING | TECHNICAL INFORMATION

Modular component design makes upgrade and maintenance possible without removing the entire system.

Quick Disconnects simplify changes.

Fully adjustable 'aim and lock' OptiLock® puts light exactly where you need it.

Designed for use specifically in our in-grade Precision2® fixtures, the unique heat sink ensures effective thermal management.



BKSSL® | EVER CHANGING



Technology is ever-changing. Lighting technology is no exception.

The Power of 'X' is also a revolutionary advancement in chip on board (COB) light source design optimized for efficiency, and superior light density. Delivering higher lumen output ranging from 900 to 6000, natural white light uniform color, in a solid state luminaire. Exceeds 80 CRI. Color control for 2700K, 3000K, and 4000K CCT. Industry leading performance yields exact color point conformity and architectural dimming allowing smooth dimming from 100 to 0.1%.

It's simply better.

Multi volt driver for use on a variety of input voltages world wide.

Patented* Anti-Condensation Valve (ACV™) eliminates condensation from the fixture's interior.
** U.S. Patent No. 6,254,258 B1*



Patented** HydroLock® technology isolates the wiring system by providing a fail safe water barrier between the junction box and interior components. ASV™ prevents "wicking" through the conductor's insulation.
*** U.S. Patent No. 7,033,038*





TECHNOLOGY

BKSSL®

POWER OF C



For every season there is a reason for change — B-K Lighting gives you complete control to match your environment at your fingertips.

Regardless of what time of the year it is – render your outdoor landscape to a desired color temperature best suited for each season with precisely tuned white light.

The technology to customize each scene seasonally, replicate the entire installation with the click of a remote control and maintain consistent color over time with no visible color variation is here....making it easier than ever to control the color of your seasons.



B-K LIGHTING | TECHNICAL INFORMATION

ANATOMY | HOW TO USE ORDERING LOGIC

Proper ordering logic is crucial to the specifier; it ensures lighting plans are executed accurately as they are translated from paper into real world applications. This page breaks down each part of our ordering logic which is used in conjunction with our interactive documentation found online at www.bklighting.com.

Fixture Name
Traditionally titled after great American mountains, rivers and our famous Star line.

Series
Denotes product family this individual luminaire is part (includes all sources).

Finish
Standard, Metal, Premium and RAL finishes. Almost any color and texture imaginable is available.

Power Housing
Power supply / housing is required for use. Navigate quickly with specified pages.

DENALI SERIES™

DE

Series	DE/Denali Series™	
Source	LED/'X' Module with Cold Phosphor Technology 1:1	
LED Type	x30/18WLED/2.7K x31/18WLED/3K x32/18WLED/4K	x33/29WLED/2.7K x34/29WLED/3k x35/29WLED/4k
	<small>See page 384 for Power of 'X' Lamp Data information</small>	
Optics	SP/Spot (20°) FL/Flood (40°) WFL/Wide Flood (60°)	
Finish	See pages 406-407 for Finish choices	
Lens Type*	9/Clear (Standard) 10/Spread Lens	12/Soft Focus Lens 13/Rectilinear Lens
Shielding*	11/Honeycomb Baffle <small>*Accommodates up to 2 Lens/Shielding media</small>	
Cap Style	A/45° B/90° C/Flush	D/45° (less weephole) E/90° (less weephole)
Driver Housing	Requires Remote Driver See pages 375-376 for Driver choices	

Keyword
Become a B-K Lighting website "Power User" by harnessing immediate accessibility with keyword aliases.

Source Icons
Quickly identifies source type available for this product.

Source Relationship
From Transformer to Ballast, choosing the right power supply is key. Learn more on page 299.

Lamp/LED Type
Hone your source type with laser precision for each and every fixture.

Accessories
Chose from various available Lens and Shielding types for ultimate control.

UNDERSTANDING

POWER SOURCES

Understanding the difference between a transformer, a driver and a ballast is crucial in creating a successful lighting project. Here, we try to simplify the process.

Low Voltage **1:∞**



A transformer is an electronic or magnetic component required to energize low voltage sources (ie. halogen) for proper operation. A transformer converts the supply voltage from 120V, 230V or 277V down to 12V, which is the typical voltage required by low voltage sources.

We consider a transformer **1:∞**, one transformer can be used to power multiple low voltage lighting sources.

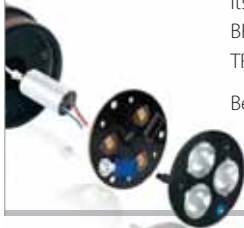
Please see Low Voltage Guide on Page 277 for more information.



Low Voltage



Lower Wattage Power of 'e' LED **1:∞** ≤8 watt



With our Power of 'e' fixtures the driver is included within the fixture itself but also requires the use of a remote BKSSL® transformer. This BKSSL® transformer would consist of either our TRe20, TR60, TR150, TR300 or TR600 pictured right.

Because BKSSL® Power of 'e'/Adjust-e-Lume® fixtures require a transformer we consider them **1:∞**, one transformer can be used to power multiple Power of 'e' fixtures.

Please see Low Voltage Guide on Page 277 for more information.



Power of 'e'
(BKSSL®)



Adjust-e-Lume®
(BKSSL®)



Higher Wattage LED **1:1** ≥11 watt



With our Power of 'X' and Power of 'C' fixtures the driver is not supplied within the fixture. When the driver is considered 'integral' no additional power supply is required. However, when one of these fixtures is considered 'remote' (meaning the driver is not attached to the fixture itself) a BKSSL® remote dedicated driver is required as shown with UPM™ or HP2™ housing.

In these cases, it is considered **1:1**, one driver to one Power of 'X' or Power of 'C' lighting source.



Power of 'X'
(BKSSL®)



Power of 'C'
(BKSSL®)



Metal Halide **1:1**



Metal halide (MH) lamps, as with all HID lamps, use a ballast to start and operate the fixture. When the ballast is considered 'integral' no additional power supply is required. However, when a metal halide/HID fixture is considered 'remote' (meaning the ballast is not attached to the fixture itself) a dedicated remote ballast housing is required.

Ballasts are considered **1:1**, meaning one ballast to one metal halide/HID lighting source.



Metal Halide



ALPS™

AL



PAR38 Halogen

Series	AL/Alps Series™	
Lamp Type	See page 395 for PAR38 Halogen Lamp choices	
Finish	See pages 406-407 for Finish choices	
Lens Type*	9/Clear (Standard) 10/Spread Lens	12/Soft Focus Lens 13/Rectilinear Lens
Shielding*	11/Honeycomb Baffle <i>*Accommodates up to 2 Lens/Shielding media</i>	
Cap Style	A/45° B/90° C/Flush	D/45° (less weep-hole) E/90° (less weep-hole)

INTEGRAL ARTISTAR™

AR-TR



Adjust-e-Lume® (BKSSL*)

Material	__ Aluminum B/Brass S/Stainless Steel	
Series	AR/ArtiStar™	
Source	LED/'e' Technology with Integral Driver	
Housing	TR/Integral Transformer	
LED Type	e36/8WLED/2.7K e22/8WLED/3K <i>See pages 381-384 for Adjust-e-Lume® Lamp Data information</i>	e23/8WLED/4K e27/8WLED/Amber
Optics	NSP/Narrow Spot (14°) SP/Spot (18°)	MFL/Medium Flood (25°) WFL/Wide Flood (36°)
Adjust-e-Lume® Output Intensity	A9 (Standard), A8, A7, A6, A5, A4, A3, A2, A1 <i>Please see Adjust-e-Lume® photometry to determine desired intensity. (Choose factory setting)</i>	
Finish	See pages 406-407 for Finish choices	
Lens Type	12/Soft Focus Lens	13/Rectilinear Lens
Shielding	11/Honeycomb Baffle	
Cap Style	A/45° B/90° C/Flush	D/45° (less weep-hole) E/90° (less weep-hole) F/90° Cutoff with Flush Lens
Base Height	6/6" (with Anchor Base) 12/12" (with Anchor Base)	18/18" (with Anchor Base) 24/24" (with Anchor Base)
Option	PP/Power Pipe™ option with 18" Stake SF/Stability Flange (for use with Power Pipe™) WM/Wall or ceiling mount with 5" dia. canopy* <i>*Base height limited to 6" max. with brass and stainless steel fixtures.</i>	

REMOTE ARTISTAR™

AR-RM



Adjust-e-Lume® (BKSSL*)

Material	__ Aluminum B/Brass S/Stainless Steel	
Series	AR/ArtiStar™	
Source	LED/'e' Technology with Integral Dimming Driver <i>Designed for use with a BKSSL* Transformer 25W min. load when dimmed. Requires magnetic Low Voltage dimmer.</i>	
Housing	RM/Requires Remote Transformer	
LED Type	e36/8WLED/2.7K e22/8WLED/3K <i>See pages 381-384 for Adjust-e-Lume® Lamp Data information</i>	e23/8WLED/4K e27/8WLED/Amber
Optics	NSP/Narrow Spot (14°) SP/Spot (18°)	MFL/Medium Flood (25°) WFL/Wide Flood (36°)
Adjust-e-Lume® Output Intensity	A9 (Standard), A8, A7, A6, A5, A4, A3, A2, A1 <i>Please see Adjust-e-Lume® photometry to determine desired intensity. (Choose factory setting)</i>	
Finish	See pages 406-407 for Finish choices	
Lens Type	12/Soft Focus Lens	13/Rectilinear Lens
Shielding	11/Honeycomb Baffle	
Cap Style	A/45° B/90° C/Flush	D/45° (less weep-hole) E/90° (less weep-hole) F/90° Cutoff with Flush Lens
Base Height	3/3" (with Anchor Base) 6/6" (with Anchor Base) 12/12" (with Anchor Base)	18/18" (with Anchor Base) 24/24" (with Anchor Base)
Option	PP/Power Pipe™ option with 18" Stake SF/Stability Flange (for use with Power Pipe™) WM/Wall or ceiling mount with 5" dia. canopy* <i>*Base height limited to 6" max. with brass and stainless steel fixtures.</i>	

INTEGRAL ARTISTAR™

AR-TR



Material	__ Aluminum	B/Brass	S/Stainless Steel
Series	AR/ArtiStar™		
Source	LED/'X' Module with Cold Phosphor Technology		
Housing	TR/Integral Driver		
LED Type	x36/11WLED/2.7K x37/11WLED/3K	x38/11WLED/4K	
	<small>See page 384 for Power of 'X' Lamp Data Information</small>		
Optics	FL/Flood (40°)	WFL/Wide Flood (60°)	
Finish	See pages 406-407 for Finish choices		
Lens Type*	12/Soft Focus Lens	13/Rectilinear Lens	
Shielding*	11/Honeycomb Baffle		
	<small>*Accommodates 1 Lens or shielding option.</small>		
Cap Style	A/45° B/90° C/Flush	D/45° (less weephole) E/90° (less weephole) F/90° Cutoff with Flush Lens	
Base Height	8/8" (with Anchor Base) 14/14" (with Anchor Base)	20/20" (with Anchor Base) 26/26" (with Anchor Base)	
Driver Type	D11INC/11W Dimming Driver <small>(for use with Incandescent Dimmer. 120V only)</small>		
Input Voltage	MT/120-277 VAC Input		
Option	PP/Power Pipe™ option with 18" Stake SF/Stability Flange <small>(for use with Power Pipe™)</small> WM/Wall or ceiling mount with 5" dia. canopy** <small>**Base height limited to 8" max. with brass and stainless steel fixtures.</small>		

REMOTE ARTISTAR™

AR-RM



Material	__ Aluminum	B/Brass	S/Stainless Steel
Series	AR/ArtiStar™		
Source	LED/'X' Module with Cold Phosphor Technology		
Housing	RM/Requires Remote Driver 1:1		
LED Type	x36/11WLED/2.7K x37/11WLED/3K	x38/11WLED/4K	
	<small>See page 384 for Power of 'X' Lamp Data Information</small>		
Optics	FL/Flood (40°)	WFL/Wide Flood (60°)	
Finish	See pages 406-407 for Finish choices		
Lens Type*	12/Soft Focus Lens	13/Rectilinear Lens	
Shielding*	11/Honeycomb Baffle		
	<small>*Accommodates 1 Lens or shielding option.</small>		
Cap Style	A/45° B/90° C/Flush	D/45° (less weephole) E/90° (less weephole) F/90° Cutoff with Flush Lens	
Base Height	3/3" (with Anchor Base) 6/6" (with Anchor Base) 12/12" (with Anchor Base)	18/18" (with Anchor Base) 24/24" (with Anchor Base)	
Option	PP/Power Pipe™ option with 18" Stake SF/Stability Flange <small>(for use with Power Pipe™)</small> WM/Wall or ceiling mount with 5" dia. canopy** <small>**Base height limited to 6" max. with brass and stainless steel fixtures.</small>		
Driver Housing	Requires Remote Driver See pages 375-377 for Driver choices		

INTEGRAL ARTISTAR™

AR-TR



Material	__ Aluminum	B/Brass
Series	AR/ArtiStar™	
Source	MR/MR16 Halogen	
Housing	TR/Integral Transformer	
Lamp Type	See page 387 for MR16 Halogen Lamp choices	
Finish	See pages 406-407 for Finish choices	
Lens Type	9/Clear Lens (Standard) 10/Spread Lens	12/Soft Focus Lens 13/Rectilinear Lens
Shielding	11/Honeycomb Baffle	
Cap Style	A/45° B/90° C/Flush	D/45° (less weephole) E/90° (less weephole) F/90° Cutoff with Flush Lens
Base Height	6/6" (with Anchor Base) 12/12" (with Anchor Base)	18/18" (with Anchor Base) 24/24" (with Anchor Base)
Input Voltage	120/120 VAC Input 230/230 VAC Input 277/277 VAC Input	
Option	PP/Power Pipe™ option with 18" Stake SF/Stability Flange <small>(for use with Power Pipe™)</small> WM/Wall or ceiling mount with 5" dia. canopy* <small>*Base height limited to 6" max. with brass fixtures.</small>	

REMOTE ARTISTAR™

AR-RM



Material	__ Aluminum	B/Brass
Series	AR/ArtiStar™	
Source	MR/MR16 Halogen	
Housing	RM/Requires Remote Transformer 1:1	
Lamp Type	See page 387 for MR16 Halogen Lamp choices	
Finish	See pages 406-407 for Finish choices	
Lens Type	9/Clear Lens (Standard) 10/Spread Lens	12/Soft Focus Lens 13/Rectilinear Lens
Shielding	11/Honeycomb Baffle	
Cap Style	A/45° B/90° C/Flush	D/45° (less weephole) E/90° (less weephole) F/90° Cutoff with Flush Lens
Base Height	3/3" (with Anchor Base) 6/6" (with Anchor Base) 12/12" (with Anchor Base)	18/18" (with Anchor Base) 24/24" (with Anchor Base)
Option	PP/Power Pipe™ option with 18" Stake SF/Stability Flange <small>(for use with Power Pipe™)</small> WM/Wall or ceiling mount with 5" dia. canopy* <small>*Base height limited to 6" max. with brass fixtures.</small>	

ARTISTAR™ AR



GU10 Line Voltage

Material	__ Aluminum B/Brass	
Series	AR/ArtiStar™	
Source	GU/ GU10 Line Voltage MR16	
Lamp Type	See page 392 for GU10 Lamp choices	
Finish	See pages 406-407 for Finish choices	
Lens Type	9/Clear Lens (Standard) 10/Spread Lens	12/Soft Focus Lens 13/Rectilinear Lens
Shielding	11/Honeycomb Baffle	
Cap Style	A/45° B/90° C/Flush	D/45° (less weephole) E/90° (less weephole) F/90° Cutoff with Flush Lens
Base Height	3/3" (with Anchor Base) 6/6" (with Anchor Base) 12/12" (with Anchor Base)	18/18" (with Anchor Base) 24/24" (with Anchor Base)
Option	PP/Power Pipe™ option with 18" Stake SF/Stability Flange (for use with Power Pipe™) WM/Wall or ceiling mount with 5" dia. canopy* <small>*Base height limited to 6" max. with brass fixtures.</small>	

INTEGRAL ARTISTAR™ AR-TR



ES16 Metal Halide

Material	__ Aluminum B/Brass	
Series	AR/ArtiStar™	
Source	ES20/ES16 Metal Halide (20W) ES35/ES16 Metal Halide (35W)	
Housing	TR/Integral Ballast	
Lamp Type	See page 400 for ES16 Metal Halide Lamp choices	
Finish	See pages 406-407 for Finish choices	
Lens Type*	9/Clear Lens (Standard) 10/Spread Lens	12/Soft Focus Lens 13/Rectilinear Lens
Shielding*	11/Honeycomb Baffle <small>*Accommodates 1 Lens or shielding option.</small>	
Cap Style	A/45° B/90° C/Flush	D/45° (less weephole) E/90° (less weephole) F/90° Cutoff with Flush Lens
Base Height	8/8" (with Anchor Base) 14/14" (with Anchor Base)	20/20" (with Anchor Base) 26/26" (with Anchor Base)
Input Voltage	120/120 VAC Input 277/277 VAC Input	
Option	PP/Power Pipe™ option with 18" Stake SF/Stability Flange (for use with Power Pipe™) WM/Wall or ceiling mount with 5" dia. canopy** <small>**Base height limited to 8" max. with brass fixtures.</small>	

REMOTE ARTISTAR™ AR-RM



ES16 Metal Halide

Material	__ Aluminum B/Brass	
Series	AR/ArtiStar™	
Source	ES35/ES16 Metal Halide (35W) 1:1	
Housing	RM/Requires Remote Ballast	
Lamp Type	See page 400 for ES16 Metal Halide Lamp choices	
Finish	See pages 406-407 for Finish choices	
Lens Type*	9/Clear Lens (Standard) 10/Spread Lens	12/Soft Focus Lens 13/Rectilinear Lens
Shielding*	11/Honeycomb Baffle <small>*Accommodates 1 Lens or shielding option.</small>	
Cap Style	A/45° B/90° C/Flush	D/45° (less weephole) E/90° (less weephole) F/90° Cutoff with Flush Lens
Base Height	3/3" (with Anchor Base) 6/6" (with Anchor Base) 12/12" (with Anchor Base)	18/18" (with Anchor Base) 24/24" (with Anchor Base)
Option	PP/Power Pipe™ option with 18" Stake SF/Stability Flange (for use with Power Pipe™) WM/Wall or ceiling mount with 5" dia. canopy** <small>**Base height limited to 6" max. with brass fixtures.</small>	
Ballast Housing	Requires Remote Ballast See pages 371-374 for Ballast choices	

DELTA STAR™

DS



Adjust-e-Lume®
(BKSSL®)

Material	___ Aluminum B/Brass S/Stainless Steel
Series	DS/Delta Star™
Source	LED/e' Technology with Integral Dimming Driver 1:1 <i>Designed for use with a BKSSL® Transformer 25W min. load when dimmed. Requires magnetic Low Voltage dimmer.</i>
LED Type	e36/8WLED/2.7K e22/8WLED/3K e23/8WLED/4K e27/8WLED/Amber <i>See pages 381-384 for Adjust-e-Lume® Lamp Data information</i>
Optics	NSP/Narrow Spot (14°) SP/Spot (18°) MFL/Medium Flood (25°) WFL/Wide Flood (36°)
Adjust-e-Lume® Output Intensity	A9 (Standard), A8, A7, A6, A5, A4, A3, A2, A1 <i>Please see Adjust-e-Lume® photometry to determine desired intensity. (Choose factory setting)</i>
Finish	See pages 406-407 for Finish choices
Lens Type	12/Soft Focus Lens 13/Rectilinear Lens
Shielding	11/Honeycomb Baffle
Cap Style	A/45° D/45° (less weephole) B/90° E/90° (less weephole)
Option	360SL/360SL™ Rotational Knuckle Mounting System

DELTA STAR™

DS



MR16 Halogen

Material	___ Aluminum B/Brass
Series	DS/Delta Star™
Source	MR/MR16 Halogen 1:1
Lamp Type	See page 387 for MR16 Halogen Lamp choices
Finish	See pages 406-407 for Finish choices
Lens Type*	9/Clear Lens (Standard) 12/Soft Focus Lens 10/Spread Lens 13/Rectilinear Lens
Shielding*	11/Honeycomb Baffle <i>*Accommodates up to 2 Lens/Shielding media</i>
Cap Style	A/45° D/45° (less weephole) B/90° E/90° (less weephole)
Option	360SL/360SL™ Rotational Knuckle Mounting System

DENALI SERIES™

DE



Power of 'X'
(BKSSL®)

Series	DE/Denali Series™
Source	LED/'X' Module with Cold Phosphor Technology 1:1
LED Type	x30/18WLED/2.7K x33/29WLED/2.7K x31/18WLED/3K x34/29WLED/3k x32/18WLED/4K x35/29WLED/4k <i>See page 384 for Power of 'X' Lamp Data information</i>
Optics	SP/Spot (20°) FL/Flood (40°) WFL/Wide Flood (60°)
Finish	See pages 406-407 for Finish choices
Lens Type*	9/Clear (Standard) 12/Soft Focus Lens 10/Spread Lens 13/Rectilinear Lens
Shielding*	11/Honeycomb Baffle <i>*Accommodates up to 2 Lens/Shielding media</i>
Cap Style	A/45° D/45° (less weephole) B/90° E/90° (less weephole) C/Flush
Driver Housing	Requires Remote Driver See pages 375-376 for Driver choices

EVEREST SERIES™

EV



PAR20 Metal Halide

Series	EV/Everest Series™ 1:1
Lamp Type	See page 396 for PAR20 Metal Halide Lamp choices
Finish	See pages 406-407 for Finish choices
Lens Type*	9/Clear Lens (Standard) 12/Soft Focus Lens 10/Spread Lens 13/Rectilinear Lens
Shielding*	11/Honeycomb Baffle <i>*Accommodates up to 2 Lens/Shielding media</i>
Cap Style	A/45° D/45° (less weephole) B/90° E/90° (less weephole) C/Flush
Ballast Housing	Requires Remote Ballast See pages 371-374 for Ballast choices

K2 SERIES™

K2



Power of 'X'
(BKSSL)

Series	K2/K2 Series™ 1:1
Source	LED/'X' Technology with Chip on Board Construction
LED Type	x43/31WLED/2.7K x44/31WLED/3K x45/31WLED/4K x46/42WLED/2.7K x47/42WLED/3K x48/42WLED/4K x49/52WLED/2.7K x50/52WLED/3K x51/52WLED/4K <small>See page 385 for Power of 'X' Lamp Data information</small>
Optics	NSP/Narrow Spot (18°) <small>Only available for x43, x44 and x45</small> NFL/Narrow Flood (25°) FL/Flood (40°) WFL/Wide Flood (60°)
Finish	See pages 406-407 for Finish choices
Lens Type	12/Soft Focus Lens
Shielding	11/Honeycomb Baffle
Cap Style	A/45° D/45° (less weephole) B/90° E/90° (less weephole) C/Flush
Driver Housing	Requires Remote Driver See pages 375-377 for Driver choices

K2 SERIES™

K2



PAR38 Metal Halide

Series	K2/K2 Series™ 1:1
Source	PAR3870/PAR38 Metal Halide (70W) PAR38100/PAR38 Metal Halide (100W) PAR38150/PAR38 Metal Halide (150W)
Lamp Type	See pages 398-399 for PAR38 Metal Halide Lamp choices
Finish	See pages 406-407 for Finish choices
Lens Type*	9/Clear (Standard) 12/Soft Focus Lens 10/Spread Lens 13/Rectilinear Lens
Shielding*	11/Honeycomb Baffle <small>* Accommodates only 2 Lens/Shielding media</small>
Cap Style	A/45° D/45° (less weephole) B/90° E/90° (less weephole) C/Flush
Ballast Housing	Requires Remote Ballast See pages 371-374 for Ballast choices

K2 SERIES™

K2



Power of 'C'
(BKSSL)

Series	K2/K2 Series™ 1:1
Source	LED/'C' Module with Color Tuning Technology
LED Type	C25/25WLED/2.7K-6K + Saturation and Hue <small>See page 385 for Power of 'X' Lamp Data information</small>
Optics	SP/Spot (15°) FL/Flood (30°) WFL/Wide Flood (45°)
Finish	See pages 406-407 for Finish choices
Lens Type	12/Soft Focus Lens
Shielding	11/Honeycomb Baffle
Cap Style	A/45° D/45° (less weephole) B/90° E/90° (less weephole) C/Flush
Driver Housing	Requires Remote Driver See pages 378-379 for Driver choices

LASSEN™ **LA**



PAR30 Halogen

Series	LA/Lassen Series™	
Lamp Type	See page 394 for PAR30 Halogen Lamp choices	
Finish	See pages 406-407 for Finish choices	
Lens Type*	9/Clear (Standard) 10/Spread Lens	12/Soft Focus Lens 13/Rectilinear Lens
Shielding*	11/Honeycomb Baffle <i>*Accommodates up to 2 Lens/Shielding media</i>	
Cap Style	A/45° B/90° C/Flush	D/45° (less weephole) E/90° (less weephole)

MICRO NITE STAR™ **MN**



Power of 'e'
(BKSSL)

Material	__ Aluminum B/Brass	
Series	MN/Micro Nite Star™	
Source	LED/'e' Technology with Integral Dimming Driver 1:∞ <i>Designed for use with a BKSSL™ Transformer 25W min. load when dimmed. Requires magnetic Low Voltage dimmer.</i>	
LED Type	e37/8WLED/2.7K e16/8WLED/3K e17/8WLED/4K e21/8WLED/Amber <i>See page 380 for Power of 'e' Lamp Data information</i>	
Optics	SP/Spot (25°) NFL/Narrow Flood (25°) FL/Flood (30°)	
Finish	See pages 406-407 for Finish choices	
Lens Type	12/Soft Focus Lens 13/Rectilinear Lens	
Shielding	11/Honeycomb Baffle	
Cap Style	A/45° B/90° C/Flush	D/45° (less weephole) E/90° (less weephole)
Option	360SL/360SL™ Rotational Knuckle Mounting System	

MCKINLEY™ **MC**



PAR20 Halogen

Series	MC/McKinley Series™	
Lamp Type	See page 393 for PAR20 Halogen Lamp choices	
Finish	See pages 406-407 for Finish choices	
Lens Type*	9/Clear (Standard) 10/Spread Lens	12/Soft Focus Lens 13/Rectilinear Lens
Shielding*	11/Honeycomb Baffle <i>*Accommodates up to 2 Lens/Shielding media</i>	
Cap Style	A/45° B/90° C/Flush	D/45° (less weephole) E/90° (less weephole)
Option	360SL/360SL™ Rotational Knuckle Mounting System	

MICRO NITE STAR™ **MN**



MR11 Halogen

Material	__ Aluminum B/Brass	
Series	MN/Micro Nite Star™	
Source	MR/MR11 Halogen 1:∞	
Lamp Type	See page 386 for MR11 Halogen Lamp choices	
Finish	See pages 406-407 for Finish choices	
Lens Type*	9/Clear Lens (Standard) 10/Spread Lens	12/Soft Focus Lens 13/Rectilinear Lens
Shielding*	11/Honeycomb Baffle <i>*Accommodates only 2 Lens/Shielding media</i>	
Cap Style	A/45° B/90° C/Flush	D/45° (less weephole) E/90° (less weephole)
Option	360SL/360SL™ Rotational Knuckle Mounting System	

MINI-MICRO™ FLOODLIGHT



Material	__ Aluminum B/Brass S/Stainless Steel
Series	MM/Mini-Micro™ Floodlight
Source	LED/'e' Technology with Integral Driver 1:∞ <i>Designed for use with a BKSSL* Transformer</i>
LED Type	e38/3WLED/2.7K e10/3WLED/3K e11/3WLED/4K e15/3WLED/Amber <i>See page 380 for Power of 'e' Lamp Data information</i>
Optics	SP/Spot (16°) FL/Flood (33°)
Finish	See pages 406-407 for Finish choices
Lens Type	12/Soft Focus Lens 13/Rectilinear Lens
Shielding	11/Honeycomb Baffle
Cap Style	A/45° B/90° C/Flush D/45° (less weephole) E/90° (less weephole)
Option	360SL/360SL™ Rotational Knuckle Mounting System

NITE STAR™



Material	__ Aluminum B/Brass S/Stainless Steel
Series	NS/Nite Star™
Source	LED/'e' Technology with Integral Dimming Driver 1:∞ <i>Designed for use with a BKSSL* Transformer 25W min. load when dimmed. Requires magnetic Low Voltage dimmer.</i>
LED Type	e36/8WLED/2.7K e22/8WLED/3K e23/8WLED/4K e27/8WLED/Amber <i>See pages 381-384 for Adjust-e-Lume* Lamp Data information</i>
Optics	NSP/Narrow Spot (14°) SP/Spot (18°) MFL/Medium Flood (25°) WFL/Wide Flood (36°)
Adjust-e-Lume® Output Intensity	A9 (Standard), A8, A7, A6, A5, A4, A3, A2, A1 <i>Please see Adjust-e-Lume* photometry to determine desired intensity. (Choose factory setting)</i>
Finish	See pages 406-407 for Finish choices
Lens Type	12/Soft Focus Lens 13/Rectilinear Lens
Shielding	11/Honeycomb Baffle
Option	360SL/360SL™ Rotational Knuckle Mounting System

NITE STAR™



Material	__ Aluminum B/Brass
Series	NS/Nite Star™
Source	MR/MR16 Halogen 1:∞
Lamp Type	See page 387 for MR16 Halogen Lamp choices
Finish	See pages 406-407 for Finish choices
Lens Type*	9/Clear Lens (Standard) 12/Soft Focus Lens 10/Spread Lens 13/Rectilinear Lens
Shielding*	11/Honeycomb Baffle <i>* Accommodates only 2 Lens/Shielding media</i>
Option	360SL/360SL™ Rotational Knuckle Mounting System

NITE STAR II™

NSII



Adjust-e-Lume®
(BKSSL®)

Material	___ Aluminum B/Brass S/Stainless Steel
Series	NSII/Nite Star II™
Source	LED/e' Technology with Integral Dimming Driver  <i>Designed for use with a BKSSL® Transformer 25W min. load when dimmed. Requires magnetic Low Voltage dimmer.</i>
LED Type	e36/8WLED/2.7K e22/8WLED/3K e23/8WLED/4K e27/8WLED/Amber <i>See pages 381-384 for Adjust-e-Lume® Lamp Data information</i>
Optics	NSP/Narrow Spot (14°) SP/Spot (18°) MFL/Medium Flood (25°) WFL/Wide Flood (36°)
Adjust-e-Lume® Output Intensity	A9 (Standard), A8, A7, A6, A5, A4, A3, A2, A1 <i>Please see Adjust-e-Lume® photometry to determine desired intensity. (Choose factory setting)</i>
Finish	See pages 406-407 for Finish choices
Lens Type	12/Soft Focus Lens 13/Rectilinear Lens
Shielding	11/Honeycomb Baffle
Option	360SL/360SL™ Rotational Knuckle Mounting System

RAINIER™

RA



MR16 Halogen


Series	RA/Rainier Series™
Lamp Type	See page 387 for MR16 Halogen Lamp choices
Finish	See pages 406-407 for Finish choices
Lens Type*	9/Clear (Standard) 12/Soft Focus Lens 10/Spread Lens 13/Rectilinear Lens
Shielding*	11/Honeycomb Baffle <i>*Accommodates up to 2 Lens/Shielding media</i>
Cap Style	A/45° D/45° (less weephole) B/90° E/90° (less weephole) C/Flush
Input Voltage	120/120 VAC Input 277/277 VAC Input
Option	360SL/360SL™ Rotational Knuckle Mounting System

NITE STAR II™

NSII



MR16 Halogen

Material	___ Aluminum B/Brass
Series	NSII/Nite Star II™
Source	MR/MR16 Halogen 
Lamp Type	See page 387 for MR16 Halogen Lamp choices
Finish	See pages 406-407 for Finish choices
Lens Type*	9/Clear (Standard) 12/Soft Focus Lens 10/Spread Lens 13/Rectilinear Lens
Shielding*	11/Honeycomb Baffle <i>*Accommodates up to 2 Lens/Shielding media</i>
Option	360SL/360SL™ Rotational Knuckle Mounting System

ARTISTAR™ RING MOUNT | RM-AR



Material	__ Aluminum B/Brass S/Stainless Steel
Series	RM/Ring Mount
Lead Length	5/5' of lamp leads and cable 25/25' of lamp leads and cable
Fixture	AR/ArtiStar™
Source	LED/e' Technology with Integral Dimming Driver 1:∞ <i>Designed for use with a BKSSL® Transformer 25W min. load when dimmed. Requires magnetic Low Voltage dimmer.</i>
LED Type	e36/8WLED/2.7K e22/8WLED/3K e23/8WLED/4K e27/8WLED/Amber <i>See pages 381-384 for Adjust-e-Lume® Lamp Data information</i>
Optics	NSP/Narrow Spot (14°) SP/Spot (18°) MFL/Medium Flood (25°) WFL/Wide Flood (36°)
Adjust-e-Lume® Output Intensity	A9 (Standard), A8, A7, A6, A5, A4, A3, A2, A1 <i>Please see Adjust-e-Lume® photometry to determine desired intensity. (Choose factory setting)</i>
Finish	See pages 406-407 for Finish choices
Lens Type*	12/Soft Focus Lens 13/Rectilinear Lens
Shielding*	11/Honeycomb Baffle
Cap Style	C/Flush D/45° (less weephole) E/90° (less weephole)

ARTISTAR™ RING MOUNT | RM-AR



Material	__ Aluminum B/Brass
Series	RM/Ring Mount
Lead Length	5/5' of lamp leads and cable 25/25' of lamp leads and cable
Fixture	AR/ArtiStar™
Source	MR/MR16 Halogen 1:∞
Lamp Type	See page 387 for MR16 Halogen Lamp choices
Finish	See pages 406-407 for Finish choices
Lens Type*	9/Clear Lens (Standard) 12/Soft Focus Lens 10/Spread Lens 13/Rectilinear Lens
Shielding*	11/Honeycomb Baffle <i>*Accommodates up to 2 Lens/Shielding media</i>
Cap Style	C/Flush D/45° (less weephole) E/90° (less weephole)

MICRO NITE STAR™ RING MOUNT | RM-MN



Material	__ Aluminum B/Brass
Series	RM/Ring Mount
Lead Length	5/5' of lamp leads and cable 25/25' of lamp leads and cable
Fixture	MN/Micro Nite Star™
Source	LED/e' Technology with Integral Dimming Driver 1:∞ <i>Designed for use with a BKSSL® Transformer 25W min. load when dimmed. Requires magnetic Low Voltage dimmer.</i>
LED Type	e37/8WLED/2.7K e16/8WLED/3K e17/8WLED/4K e21/8WLED/Amber <i>See page 380 for Power of e' Lamp Data information</i>
Optics	SP/Spot (20°) NFL/Narrow Flood (25°) FL/Flood (30°) See pages 406-407 for Finish choices
Finish	See pages 406-407 for Finish choices
Lens Type	12/Soft Focus Lens 13/Rectilinear Lens
Shielding	11/Honeycomb Baffle
Cap Style	A/45° D/45° (less weephole) B/90° E/90° (less weephole) C/Flush

MICRO NITE STAR™ RING MOUNT | RM-MN



Material	__ Aluminum B/Brass
Series	RM/Ring Mount
Lead Length	5/5' of lamp leads and cable 25/25' of lamp leads and cable
Fixture	MN/Micro Nite Star™
Source	MR/MR11 Halogen 1:∞
Lamp Type	See page 386 for MR11 Halogen Lamp choices
Finish	See pages 406-407 for Finish choices
Lens Type*	9/Clear Lens (Standard) 12/Soft Focus Lens 10/Spread Lens 13/Rectilinear Lens
Shielding*	11/Honeycomb Baffle <i>*Accommodates only 2 Lens/Shielding media</i>
Cap Style	A/45° D/45° (less weephole) B/90° E/90° (less weephole) C/Flush

MINI-MICRO™ RING MOUNT **RM-MM**



Material	___ Aluminum B/Brass S/Stainless Steel
Series	RM/Ring Mount
Lead Length	5/5' of lamp leads and cable 25/25' of lamp leads and cable
Fixture	MM/Mini-Micro™
Source	LED/'e' Technology with Integral Driver 1:∞ <small>Designed for use with a BKSSL® Transformer</small>
LED Type	e38/3WLED/2.7K e10/3WLED/3K e11/3WLED/4K e15/3WLED/Amber <small>See page 380 for Power of 'e' Lamp Data Information</small>
Optics	SP/Spot (16°) FL/Flood (33°)
Finish	See pages 406-407 for Finish choices
Lens Type	12/Soft Focus Lens 13/Rectilinear Lens
Shielding	11/Honeycomb Baffle
Cap Style	C/Flush D/45° (less weephole) E/90° (less weephole)

RUSHMORE™ **RU**



Series	RU/Rushmore Series™
Source	LV/Low Voltage T4 Halogen 1:∞
Optics	SP/Spot FL/Flood
Lamp Type	See page 391 for T4 Halogen Lamp choices
Finish	See pages 406-407 for Finish choices
Lens Type*	9/Clear (Standard) 12/Soft Focus Lens 10/Spread Lens 13/Rectilinear Lens
Shielding*	11/Honeycomb Baffle <small>*Accommodates up to 2 Lens/Shielding media</small>
Accessories	CS/Cutoff Snoot BD/Adjustable Barn Doors
Option	360SL/360SL™ Rotational Knuckle Mounting System

RUSHMORE™ **RU**



Series	RU/Rushmore Series™ 1:1
Source	T435/T4 Metal Halide (35W)
Optics	SP/Spot FL/Flood
Lamp Type	See page 402 for T4 Metal Halide Lamp choices
Finish	See pages 406-407 for Finish choices
Lens Type*	9/Clear (Standard) 12/Soft Focus Lens 10/Spread Lens 13/Rectilinear Lens
Shielding*	11/Honeycomb Baffle <small>*Accommodates up to 2 Lens/Shielding media</small>
Accessories	CS/Cutoff Snoot BD/Adjustable Barn Doors
Option	360SL/360SL™ Rotational Knuckle Mounting System
Ballast Housing	Requires Remote Ballast See pages 371-374 for Ballast choices

SARATOGA™ SA



T4 Halogen

Series	SA/Saratoga Series™
Source	LV/Low Voltage T4 Halogen 1:1
Optics	SP/Spot FL/Flood WW/Wall Wash
Lamp Type	See page 391 for T4 Halogen Lamp choices
Finish	See pages 406-407 for Finish choices
Lens Type*	9/Clear (Standard) 12/Soft Focus Lens 10/Spread Lens 13/Rectilinear Lens
Shielding*	11/Honeycomb Baffle <i>*Accommodates up to 2 Lens/Shielding media</i>
Accessories	CV/Cutoff Visor CS/Cutoff Snoot BD/Adjustable Barn Doors
Option	360SL/360SL™ Rotational Knuckle Mounting System

SARATOGA™ SA



T4 Metal Halide

Series	SA/Saratoga Series™ 1:1
Source	T435/T4 Metal Halide (35W)
Optics	SP/Spot FL/Flood WW/Wall Wash
Lamp Type	See page 402 for T4 Metal Halide Lamp choices
Finish	See pages 406-407 for Finish choices
Lens Type*	9/Clear (Standard) 12/Soft Focus Lens 10/Spread Lens 13/Rectilinear Lens
Shielding*	11/Honeycomb Baffle <i>*Accommodates up to 2 Lens/Shielding media</i>
Accessories	CV/Cutoff Visor CS/Cutoff Snoot BD/Adjustable Barn Doors
Option	360SL/360SL™ Rotational Knuckle Mounting System
Ballast Housing	Requires Remote Ballast See pages 371-374 for Ballast choices

SEQUOIA™ SU



T6 Metal Halide

Series	SU/Sequoia Series™ 1:1
Optics	SP/Spot FL/Flood
Lamp Type	See page 402 for T6 Metal Halide Lamp choices
Finish	See pages 406-407 for Finish choices
Lens Type*	9/Clear (Standard) 12/Soft Focus Lens 10/Spread Lens 13/Rectilinear Lens
Shielding*	11/Honeycomb Baffle <i>*Accommodates up to 2 Lens/Shielding media</i>
Accessories	CS/Cutoff Snoot BD/Adjustable Barn Doors
Ballast Housing	Requires Remote Ballast See pages 372-374 for Ballast choices

SHASTA™ SH



MR16 Halogen

Series	SH/Shasta Series™ 1:1
Lamp Type	See page 387 for MR16 Halogen Lamp choices
Finish	See pages 406-407 for Finish choices
Lens Type*	9/Clear (Standard) 12/Soft Focus Lens 10/Spread Lens 13/Rectilinear Lens
Shielding*	11/Honeycomb Baffle <i>*Accommodates up to 2 Lens/Shielding media</i>
Cap Style	A/45° D/45° (less weephole) B/90° E/90° (less weephole) C/Flush
Option	360SL/360SL™ Rotational Knuckle Mounting System

SIERRA™ SE



PAR30 Metal Halide

Series	SE/Sierra Series™ 1:1
Lamp Type	See page 397 for PAR30 Metal Halide Lamp choices
Finish	See pages 406-407 for Finish choices
Lens Type*	9/Clear (Standard) 12/Soft Focus Lens 10/Spread Lens 13/Rectilinear Lens
Shielding*	11/Honeycomb Baffle <i>*Accommodates up to 2 Lens/Shielding media</i>
Cap Style	A/45° D/45° (less weephole) B/90° E/90° (less weephole) C/Flush
Ballast Housing	Requires Remote Ballast See pages 372-374 for Ballast choices

YOSEMITE™ YO



T6 Metal Halide

Series	YO/Yosemite Series™ 1:1
Optics	SP/Spot FL/Flood WW/Wall Wash
Lamp Type	See page 402 for T6 Metal Halide Lamp choices
Finish	See pages 406-407 for Finish choices
Lens Type*	9/Clear (Standard) 12/Soft Focus Lens 10/Spread Lens 13/Rectilinear Lens
Shielding*	11/Honeycomb Baffle <i>*Accommodates up to 2 Lens/Shielding media</i>
Accessories	CV/Cutoff Visor CS/Cutoff Snoot BD/Adjustable Barn Doors
Ballast Housing	Requires Remote Ballast See pages 372-374 for Ballast choices

SIGN STAR™

SN



Adjust-e-Lume®
(BKSSL®)

Series	SN/Sign Star™
Stem Length	18", 24", 30", 36", 42", or 48" (Specify in Inches)
Style	A/Dual Bend, 90° Radius B/180° Radius C/Straight Mount L/90° Radius
Source	LED/e' Technology with Integral Dimming Driver <small>Designed for use with a BKSSL® Transformer 25W min. load when dimmed. Requires magnetic Low Voltage dimmer.</small>
LED Type	e36/8WLED/2.7K e23/8WLED/4K e22/8WLED/3K e27/8WLED/Amber <small>See pages 381-384 for Adjust-e-Lume® Lamp Data information</small>
Optics	NSP/Narrow Spot (14°) SP/Spot (18°) MFL/Medium Flood (25°) WFL/Wide Flood (36°)
Adjust-e-Lume® Output Intensity	A9 (Standard), A8, A7, A6, A5, A4, A3, A2, A1 <small>Please see Adjust-e-Lume® photometry to determine desired intensity. (Choose factory setting)</small>
Finish	See pages 406-407 for Finish choices
Lens Type	12/Soft Focus Lens 13/Rectilinear Lens
Shielding	11/Honeycomb Baffle
Cap Style	A/45° D/45° (less weephole) B/90° E/90° (less weephole) C/Flush F/90° Cutoff with Flush Lens

SIGN STAR™

SN



MR16 Halogen

Series	SN/Sign Star™
Stem Length	18", 24", 30", 36", 42", or 48" (Specify in Inches)
Style	A/Dual Bend, 90° Radius B/180° Radius C/Straight Mount L/90° Radius
Source	MR/MR16 Halogen
Lamp Type	See page 387 for MR16 Halogen Lamp choices
Finish	See pages 406-407 for Finish choices
Lens Type*	9/Clear Lens (Standard) 12/Soft Focus Lens 10/Spread Lens 13/Rectilinear Lens
Shielding*	11/Honeycomb Baffle <small>*Accommodates only 2 Lens/Shielding media</small>
Cap Style	A/45° D/45° (less weephole) B/90° E/90° (less weephole) C/Flush F/90° Cutoff with Flush Lens

TWIN SIGN STAR™

ST



Adjust-e-Lume®
(BKSSL®)

Series	ST/Twin Sign Star™
Stem Length	18", 24", 30", 36", 42", or 48" (Specify in Inches)
Style	A/Dual Bend, 90° Radius B/180° Radius C/Straight Mount
Source	LED/e' Technology with Integral Dimming Driver <small>Designed for use with a BKSSL® Transformer 25W min. load when dimmed. Requires magnetic Low Voltage dimmer.</small>
LED Type	e36/8WLED/2.7K e23/8WLED/4K e22/8WLED/3K e27/8WLED/Amber <small>See pages 381-384 for Adjust-e-Lume® Lamp Data information</small>
Optics	NSP/Narrow Spot (14°) MFL/Medium Flood (25°) SP/Spot (18°) WFL/Wide Flood (36°)
Adjust-e-Lume® Output Intensity	A9 (Standard), A8, A7, A6, A5, A4, A3, A2, A1 <small>Please see Adjust-e-Lume® photometry to determine desired intensity. (Choose factory setting)</small>
Finish	See pages 406-407 for Finish choices
Lens Type	12/Soft Focus Lens 13/Rectilinear Lens
Shielding	11/Honeycomb Baffle
Cap Style	A/45° D/45° (less weephole) B/90° E/90° (less weephole) C/Flush F/90° Cutoff with Flush Lens

TWIN SIGN STAR™

ST



MR16 Halogen

Series	ST/Twin Sign Star™
Stem Length	18", 24", 30", 36", 42", or 48" (Specify in Inches)
Style	A/Dual Bend, 90° Radius B/180° Radius C/Straight Mount
Source	MR/MR16 Halogen
Lamp Type	See page 387 for MR16 Halogen Lamp choices
Finish	See pages 406-407 for Finish choices
Lens Type*	9/Clear Lens (Standard) 12/Soft Focus Lens 10/Spread Lens 13/Rectilinear Lens
Shielding*	11/Honeycomb Baffle <small>*Accommodates only 2 Lens/Shielding media</small>
Cap Style	A/45° D/45° (less weephole) B/90° E/90° (less weephole) C/Flush F/90° Cutoff with Flush Lens

SIGN STAR™ SN-D



Adjust-e-Lume®
(BKSSL®)

Series	SN/Sign Star™
Stem Length	18", 24", 30", 36", 42", or 48" (Specify in Inches)
Style	D/Dual Bend, 90° Radius with 45° RLM Reflector
Source	LED/e' Technology with Integral Dimming Driver <small>Designed for use with a BKSSL® Transformer 25W min. load when dimmed. Requires magnetic Low Voltage dimmer.</small>
LED Type	e36/8WLED/2.7K e23/8WLED/4K e22/8WLED/3K e27/8WLED/Amber <small>See pages 381-384 for Adjust-e-Lume® Lamp Data Information</small>
Optics	NSP/Narrow Spot (14°) MFL/Medium Flood (25°) SP/Spot (18°) WFL/Wide Flood (36°)
Adjust-e-Lume® Output Intensity	A9 (Standard), A8, A7, A6, A5, A4, A3, A2, A1 <small>Please see Adjust-e-Lume® photometry to determine desired intensity. (Choose factory setting)</small>
Finish	See pages 406-407 for Finish choices
Lens Type	12/Soft Focus Lens 13/Rectilinear Lens
Shielding	11/Honeycomb Baffle

SIGN STAR™ SN-D



MR16 Halogen

Series	SN/Sign Star™
Stem Length	18", 24", 30", 36", 42", or 48" (Specify in Inches)
Style	D/Dual Bend, 90° Radius with 45° RLM Reflector
Source	MR/MR16 Halogen
Lamp Type	See page 387 for MR16 Halogen Lamp choices
Finish	See pages 406-407 for Finish choices
Lens Type*	9/Clear Lens (Standard) 12/Soft Focus Lens 10/Spread Lens 13/Rectilinear Lens
Shielding*	11/Honeycomb Baffle <small>*Accommodates only 2 Lens/Shielding media</small>

SIGN STAR™ SN-E



Incandescent

Series	SN/Sign Star™
Stem Length	18", 24", 30", 36", 42", or 48" (Specify in Inches)
Style	E/Dual Bend, 90° Radius with 45° RLM Reflector
Source	INC/Incandescent
Lamp Type	0/By others
Finish	See pages 406-407 for Finish choices

DENALI SERIES™ SIGN STAR™ SN-DE



Power of 'X'
(BKSSL®)

Series	SN/Sign Star™
Stem Length	24", 30", 36", 42", or 48" (Specify in Inches)
Style	A/Dual Bend, 90° Radius B/180° Radius L/90° Radius
Fixture	DE/Denali Series™
Source	LED/'X' Module with Cold Phosphor Technology
LED Type	x30/18WLED/2.7K x33/29WLED/2.7K x31/18WLED/3K x34/29WLED/3k x32/18WLED/4K x35/29WLED/4k <small>See page 384 for Power of 'X' Lamp Data Information</small>
Optics	SP/Spot (20°) FL/Flood (40°) WFL/Wide Flood (60°)
Finish	See pages 406-407 for Finish choices
Lens Type*	9/Clear (Standard) 12/Soft Focus Lens 10/Spread Lens 13/Rectilinear Lens
Shielding*	11/Honeycomb Baffle <small>*Accommodates up to 2 Lens/Shielding media</small>
Cap Style	A/45° D/45° (less weephole) B/90° E/90° (less weephole) C/Flush
Driver Housing	Requires Remote Driver See pages 375-377 for Driver choices

DENALI SERIES™ TWIN SIGN STAR™ ST-DE




Power of 'X'
(BKSSL®)

Series	ST/Twin Sign Star™
Stem Length	24", 30", 36", 42", or 48" (Specify in Inches)
Style	A/Dual Bend, 90° Radius B/180° Radius C/Straight Mount
Fixture	DE/Denali Series™
Source	LED/'X' Module with Cold Phosphor Technology
LED Type	x30/18WLED/2.7K x33/29WLED/2.7K x31/18WLED/3K x34/29WLED/3k x32/18WLED/4K x35/29WLED/4k <small>See page 384 for Power of 'X' Lamp Data Information</small>
Optics	SP/Spot (20°) FL/Flood (40°) WFL/Wide Flood (60°)
Finish	See pages 406-407 for Finish choices
Lens Type*	9/Clear (Standard) 12/Soft Focus Lens 10/Spread Lens 13/Rectilinear Lens
Shielding*	11/Honeycomb Baffle <small>*Accommodates up to 2 Lens/Shielding media</small>
Cap Style	A/45° D/45° (less weephole) B/90° E/90° (less weephole) C/Flush
Driver Housing	Requires Remote Driver See pages 375-377 for Driver choices

MICRO NITE™
SIGN STAR™

SN-MN




Series	SN/Sign Star™
Stem Length	18", 24", 30", 36", 42", or 48" (Specify in Inches)
Style	A/Dual Bend, 90° Radius B/180° Radius C/Straight Mount L/90° Radius
Fixture	MN/Micro Nite Star™
Source	LED/'e' Technology with Integral Driver  <small>Designed for use with a BKSSL* Transformer</small>
LED Type	e37/8WLED/2.7K e16/8WLED/3K e17/8WLED/4K e21/8WLED/Amber <small>See page 380 for Power of 'e' Lamp Data information</small>
Optics	SP/Spot (20°) NFL/Narrow Flood (25°) FL/Flood (30°)
Finish	See pages 406-407 for Finish choices
Lens Type	12/Soft Focus Lens 13/Rectilinear Lens
Shielding	11/Honeycomb Baffle
Cap Style	A/45° D/45° (less weephole) B/90° E/90° (less weephole) C/Flush

MICRO NITE™
SIGN STAR™

SN-MN




Series	SN/Sign Star™
Stem Length	18", 24", 30", 36", 42", or 48" (Specify in Inches)
Style	A/Dual Bend, 90° Radius B/180° Radius C/Straight Mount L/90° Radius
Fixture	MN/Micro Nite Star™
Source	MR/MR11 Halogen 
Lamp Type	See page 386 for MR11 Halogen Lamp choices
Finish	See pages 406-407 for Finish choices
Lens Type*	9/Clear Lens (Standard) 12/Soft Focus Lens 10/Spread Lens 13/Rectilinear Lens
Shielding*	11/Honeycomb Baffle <small>* Accommodates only 2 Lenses/Shielding media</small>
Cap Style	A/45° D/45° (less weephole) B/90° E/90° (less weephole) C/Flush

MICRO NITE™
TWIN SIGN STAR™

ST-MN




Series	ST/Twin Sign Star™
Stem Length	18", 24", 30", 36", 42", or 48" (Specify in Inches)
Style	A/Dual Bend, 90° Radius B/180° Radius C/Straight Mount
Fixture	MN/Micro Nite Star™
Source	LED/'e' Technology with Integral Driver  <small>Designed for use with a BKSSL* Transformer</small>
LED Type	e37/8WLED/2.7K e16/8WLED/3K e17/8WLED/4K e21/8WLED/Amber <small>See page 380 for Power of 'e' Lamp Data information</small>
Optics	SP/Spot (20°) NFL/Narrow Flood (25°) FL/Flood (30°)
Finish	See pages 406-407 for Finish choices
Lens Type	12/Soft Focus Lens 13/Rectilinear Lens
Shielding	11/Honeycomb Baffle
Cap Style	A/45° D/45° (less weephole) B/90° E/90° (less weephole) C/Flush

MICRO NITE™
TWIN SIGN STAR™

ST-MN



Series	ST/Twin Sign Star™
Stem Length	18", 24", 30", 36", 42", or 48" (Specify in Inches)
Style	A/Dual Bend, 90° Radius B/180° Radius C/Straight Mount
Fixture	MN/Micro Nite Star™
Source	MR/MR11 Halogen 
Lamp Type	See page 386 for MR11 Halogen Lamp choices
Finish	See pages 406-407 for Finish choices
Lens Type*	9/Clear Lens (Standard) 12/Soft Focus Lens 10/Spread Lens 13/Rectilinear Lens
Shielding*	11/Honeycomb Baffle <small>* Accommodates only 2 Lenses/Shielding media</small>
Cap Style	A/45° D/45° (less weephole) B/90° E/90° (less weephole) C/Flush

LOUVERED

BOLLARD STAR™

BSL



Series	BSL/Louvered Bollard Star™ Pathlight
Source	LED/'e' Technology with Integral Driver <i>Designed for use with a BKSSL* Transformer</i>
LED Type	e36/8WLED/2.7K e22/8WLED/3K e23/8WLED/4K e27/8WLED/Amber <i>See pages 381-384 for Adjust-e-Lume* Lamp Data information</i>
Adjust-e-Lume® Output Intensity	A9 (Standard), A8, A7, A6, A5, A4, A3, A2, A1 <i>Please see Adjust-e-Lume* photometry to determine desired intensity. (Choose factory setting)</i>
Finish	See pages 406-407 for Finish choices
Louver	C/Round 30°
Overall Height	12", 18", 24", or 30" (Specify in Inches)
Transformer Options	T/Integral TRe20 Electronic Transformer <i>(105-300 VAC 50/60Hz. Non-Dimming)</i>

LOUVERED

BOLLARD STAR™

BSL



Series	BSL/Louvered Bollard Star™ Pathlight
Source	MR/MR16 Halogen
Lamp Type	See page 387 for MR16 Halogen Lamp choices
Finish	See pages 406-407 for Finish choices
Louver	C/Round 30°
Overall Height	12", 18", 24", or 30" (Specify in Inches)
Options	L75E-120/Integral 75VA Electronic 120V Transformer L75E-230/Integral 75VA Electronic 230V Transformer L75E-277/Integral 75VA Electronic 277V Transformer L150E-120/Integral 150VA Electronic 120V Transformer L150E-230/Integral 150VA Electronic 230V Transformer L150E-277/Integral 150VA Electronic 277V Transformer

CAMINO STAR™

CS



Material	__ Aluminum B/Brass (Style 'D' Only)
Series	CS/Camino Star™ Pathlight
Source	LED/'e' Technology with Integral Driver <i>Designed for use with a BKSSL* Transformer</i>
LED Type	e39/3WLED/2.7K e40/3WLED/3K e41/3WLED/4K e45/3WLED/Amber <i>See page 380 for Power of 'e' Lamp Data information</i>
Finish	See pages 406-407 for Finish choices
Style	C, D*, E, G, G1, G2, H, K <i>*Also available in Brass</i>
Base	6/6" with Anchor Base (Standard) 12/12" with Anchor Base 18/18" with Anchor Base 24/24" with Anchor Base (Specify in Inches)
Mounting Options	PP12/12" Power Pipe™ Stake Mounting PP18/18" Power Pipe™ Stake Mounting SF/Stability Flange <i>(for use with Power Pipe™)</i>
Transformer Options	TRe20/Integral TRe20 Electronic Transformer <i>(105-300 VAC 50/60Hz. Non-Dimming)</i>

CAMINO STAR™

CS



Material	__ Aluminum B/Brass (Style 'D' Only)
Series	CS/Camino Star™ Pathlight
Source	LV/Low Voltage T4 Halogen
Lamp Type	See page 391 for T4 Halogen Lamp choices
Finish	See pages 406-407 for Finish choices
Style	C, D*, E, G, G1, G2, H, K <i>*Also available in Brass</i>
Base	6/6" with Anchor Base (Standard) 12/12" with Anchor Base 18/18" with Anchor Base 24/24" with Anchor Base (Specify in Inches)
Mounting Options	PP12/12" Power Pipe™ Stake Mounting PP18/18" Power Pipe™ Stake Mounting SF/Stability Flange <i>(for use with Power Pipe™)</i>
Transformer	L75E-120/Integral 75VA Electronic 120V Transformer L75E-230/Integral 75VA Electronic 230V Transformer L75E-277/Integral 75VA Electronic 277V Transformer

GLACIER™

GA



T4 Halogen

Series	GA/Glacier Series™
Source	LV/Low Voltage T4 Halogen 1:∞
Lamp Type	See page 391 for T4 Halogen Lamp choices
Finish	See pages 406-407 for Finish choices
Lens Type	9/Clear (Standard) 10/Spread 12/Soft Focus Lens 13/Rectilinear Lens
Shielding	11/Honeycomb Baffle
Accessories	CV/Cutoff Visor
Stem Length	6", 12", 18", or 24" (Specify in Inches)
Mounting	A18/18" Power Pipe™ with 18" Adjustable Stem. <i>Allows for variable mounting height. For use with remote transformer.</i> PP18B/18" Power Pipe™ stake with 'B' Cap <i>(for use with remote transformer)</i> PP-L75E-120/Power Pipe™ "T" option with 18" stake and 120V Transformer PP-L75E-230/Power Pipe™ "T" option with 18" stake and 230V Transformer PP-L75E-277/Power Pipe™ "T" option with 18" stake and 277V Transformer
Options	SF/Stability Flange <i>(for use with Power Pipe™)</i>

GLOW STAR™

GL



Adjust-e-Lume®
(BKSSL®)

Material	__ Aluminum B/Brass (Style 'E' Only) S/Stainless Steel (Style 'E' Only)
Series	GL/Glow Star™ Pathlight
Source	LED/'e' Technology with Integral Driver 1:∞ <i>Designed for use with a BKSSL® Transformer</i>
LED Type	e36/8WLED/2.7K e22/8WLED/3K e23/8WLED/4K e27/8WLED/Amber <i>See pages 381-384 for Adjust-e-Lume® Lamp Data information</i>
Adjust-e-Lume® Output Intensity	A9 (Standard), A8, A7, A6, A5, A4, A3, A2, A1 <i>Please see Adjust-e-Lume® photometry to determine desired intensity. (Choose factory setting)</i>
Finish	See pages 406-407 for Finish choices
Style	E*, G, J, K, L, N1, P1, R1 <i>*Also available in Brass and Stainless Steel</i>
Base	2/2" with female Pipe Thread Base (Standard) 6/6" with Anchor Base 12/12" with Anchor Base 18/18" with Anchor Base 24/24" with Anchor Base (Specify in Inches)
Mounting Options	For 2" Base Models: PP12B/12" Power Pipe™ Stake Mounting with B Cap PP18B/18" Power Pipe™ Stake Mounting with B Cap For 6-24" Base Models: PP12/12" Power Pipe™ Stake Mounting PP18/18" Power Pipe™ Stake Mounting SF/Stability Flange <i>(for use with Power Pipe™)</i>
Transformer Options	__/Less Transformer T/Integral TRe20 Electronic Transformer <i>(105-300 VAC 50/60Hz. Non-Dimming)</i>
Options	ART/Laser Engraved Graphics <i>(Available on style 'G' only. Requires vector based graphics file by others.)</i>

GLOW STAR™

GL



MR16 Halogen

Material	__ Aluminum B/Brass (Style 'E' Only)
Series	GL/Glow Star™ Pathlight
Source	MR/MR16 Halogen 1:∞
Lamp Type	See page 387 for MR16 Halogen Lamp choices
Finish	See pages 406-407 for Finish choices
Style	E*, G, J, K, L, N1, P1, R1 *Also available in Brass
Base	2/2" with female Pipe Thread Base (Standard) 6/6" with Anchor Base 12/12" with Anchor Base 18/18" with Anchor Base 24/24" with Anchor Base (Specify in Inches)
Mounting Options	For 2" Base Models: PP12B/12" Power Pipe™ Stake Mounting with B Cap PP18B/18" Power Pipe™ Stake Mounting with B Cap SF/Stability Flange (for use with Power Pipe™) For 6-24" Base Models: PP12/12" Power Pipe™ Stake Mounting PP18/18" Power Pipe™ Stake Mounting
Transformer Options	__/Less Transformer T/ Integral 75VA Electronic Transformer
Input Voltage	120/120 VAC Input 230/230 VAC Input (Non-Dimming) 277/277 VAC Input (Non-Dimming)
Options	ART/Laser Engraved Graphics <i>(Available on style 'G' only. Requires vector based graphics file by others.)</i>

LITESTICK®

LT



Power of 'e'
(BKSSL®)

Material	__ Aluminum B/Brass S/Stainless Steel
Series	LT/Litestick® Pathlight
Stem Length	3", 6", 12", 18", or 24" (Specify in Inches)
Source	LED/'e' Technology with Integral Driver 1:∞ <i>Designed for use with a BKSSL® Transformer</i>
LED Type	e39/3WLED/2.7K e40/3WLED/3K e41/3WLED/4K e45/3WLED/Amber <i>See page 380 for Power of 'e' Lamp Data information</i>
Finish	See pages 406-407 for Finish choices
Mounting	A18/18" Power Pipe™ with 18" Adjustable Stem. Allows for variable mounting height <i>(for use with remote BKSSL® transformer. Must be specified with 18" stem)</i> PP18B/18" Power Pipe™ stake with 'B' Cap <i>(for use with remote BKSSL® transformer)</i> PP-TRe20/Power Pipe™ "T" option with 18" stake and TRe20 Electronic Transformer <i>(105-300 VAC, 50/60Hz, Non-Dimming)</i>
Options	GS/Adjustable Glare Shield SF/Stability Flange (for use with Power Pipe™)

LITESTICK®

LT



T3 Halogen

Material	__ Aluminum B/Brass
Series	LT/Litestick® Pathlight
Stem Length	3", 6", 12", 18", or 24" (Specify in Inches)
Source	LV/Low Voltage T3 Halogen 1:∞
Lamp Type	See page 391 for T3 Halogen Lamp choices
Finish	See pages 406-407 for Finish choices
Mounting	A18/18" Power Pipe™ with 18" Adjustable Stem. Allows for variable mounting height <i>(for use with remote transformer)</i> PP18B/18" Power Pipe™ stake with 'B' Cap <i>(for use with remote transformer)</i> PP-L75E-120/Power Pipe™ "T" option with 18" stake and 120V Transformer PP-L75E-230/Power Pipe™ "T" option with 18" stake and 230V Transformer PP-L75E-277/Power Pipe™ "T" option with 18" stake and 277V Transformer
Options	GS/Adjustable Glare Shield SF/Stability Flange (for use with Power Pipe™)

STYLE L LITESTICK®

LT-L



Power of 'e'
(BKSSL®)

Series	LT-L/Litestick® Pathlight Style L (with 90° Radius)
Stem Length	3", 6", 12", 18", or 24" (Specify in Inches)
Source	LED/'e' Technology with Integral Driver <i>Designed for use with a BKSSL® Transformer</i>
LED Type	e39/3WLED/2.7K e40/3WLED/3K e41/3WLED/4K e45/3WLED/Amber <i>See page 380 for Power of 'e' Lamp Data information</i>
Finish	See pages 406-407 for Finish choices
Mounting	A18/18" Power Pipe™ with 18" Adjustable Stem. Allows for variable mounting height <i>(for use with remote BKSSL® transformer. Must be specified with 18" stem)</i> PP18B/18" Power Pipe™ stake with 'B' Cap <i>(for use with remote BKSSL® transformer)</i> PP-TRe20/Power Pipe™ "T" option with 18" stake and TRe20 Electronic Transformer <i>(105-300 VAC, 50/60Hz, Non-Dimming)</i>
Options	SF/Stability Flange <i>(for use with Power Pipe™)</i>

PATH STAR™

PS



Adjust-e-Lume®
(BKSSL®)

Series	PS/Path Star™ Pathlight
Source	LED/'e' Technology with Integral Driver <i>Designed for use with a BKSSL® Transformer</i>
LED Type	e36/8WLED/2.7K e22/8WLED/3K e23/8WLED/4K e27/8WLED/Amber <i>See pages 381-384 for Adjust-e-Lume® Lamp Data information</i>
Adjust-e-Lume® Output Intensity	A9 (Standard), A8, A7, A6, A5, A4, A3, A2, A1 <i>Please see Adjust-e-Lume® photometry to determine desired intensity. (Choose factory setting)</i>
Finish	See pages 406-407 for Finish choices
Style	A/Short (68° Cutoff) B/Long (90° Cutoff)
Options	___/Standard Aluminum Base PP/Standard Aluminum Base with 12" Power Pipe™ Stake SF/Stability Flange <i>(for use with Power Pipe™)</i>
Transformer Options	T/Integral TRe20 Electronic Transformer <i>(105-300 VAC 50/60Hz, Non-Dimming)</i>

STYLE T LITESTICK®

LT-T



Power of 'e'
(BKSSL®)

Series	LT-T/Litestick® Pathlight Style T
Stem Length	3", 6", 12", 18", or 24" (Specify in Inches)
Source	LED/'e' Technology with Integral Driver <i>Designed for use with a BKSSL® Transformer</i>
LED Type	e39/3WLED/2.7K e40/3WLED/3K e41/3WLED/4K e45/3WLED/Amber <i>See page 380 for Power of 'e' Lamp Data information</i>
Finish	See pages 406-407 for Finish choices
Mounting	A18/18" Power Pipe™ with 18" Adjustable Stem. Allows for variable mounting height <i>(for use with remote BKSSL® transformer. Must be specified with 18" stem)</i> PP18B/18" Power Pipe™ stake with 'B' Cap <i>(for use with remote BKSSL® transformer)</i> PP-TRe20/Power Pipe™ "T" option with 18" stake and TRe20 Electronic Transformer <i>(105-300 VAC, 50/60Hz, Non-Dimming)</i>
Options	SF/Stability Flange <i>(for use with Power Pipe™)</i>

PATH STAR™

PS



MR16 Halogen

Series	PS/Path Star™ Pathlight
Source	MR/MR16 Halogen
Lamp Type	See page 387 for MR16 Halogen Lamp choices
Finish	See pages 406-407 for Finish choices
Style	A/Short (68° Cutoff) B/Long (90° Cutoff)
Options	AJ/Adjustable Lamp Bracket ___/Standard Aluminum Base PP/Standard Aluminum Base with 12" Power Pipe™ Stake SF/Stability Flange <i>(for use with Power Pipe™)</i> L75E-120/Integral 75VA Electronic 120V Transformer L75E-230/Integral 75VA Electronic 230V Transformer L75E-277/Integral 75VA Electronic 277V Transformer L150E-120/Integral 150VA Electronic 120V Transformer L150E-230/Integral 150VA Electronic 230V Transformer L150E-277/Integral 150VA Electronic 277V Transformer

LOUVERED PATH STAR™

PSL



Adjust-e-Lume®
(BKSSL®)

Series	PSL/Louvered Path Star™ Pathlight
Source	LED/'e' Technology with Integral Driver 1:∞ <i>Designed for use with a BKSSL® Transformer</i>
LED Type	e36/8WLED/2.7K e22/8WLED/3K e23/8WLED/4K e27/8WLED/Amber <i>See pages 381-384 for Adjust-e-Lume® Lamp Data information</i>
Adjust-e-Lume® Output Intensity	A9 (Standard), A8, A7, A6, A5, A4, A3, A2, A1 <i>Please see Adjust-e-Lume® photometry to determine desired intensity. (Choose factory setting)</i>
Finish	See pages 406-407 for Finish choices
Louver	C/Round 30°
Options	___/Standard Aluminum Base PP/Standard Aluminum Base with 12" Power Pipe™ Stake SF/Stability Flange <i>(for use with Power Pipe™)</i>
Transformer Options	T/Integral TRe20 Electronic Transformer <i>(105-300 VAC 50/60Hz, Non-Dimming)</i>

LOUVERED PATH STAR™

PSL



MR16 Halogen

Series	PSL/Louvered Path Star™ Pathlight
Source	MR/MR16 Halogen 1:∞
Lamp Type	See page 387 for MR16 Halogen Lamp choices
Finish	See pages 406-407 for Finish choices
Louver	C/Round 30°
Options	___/Standard Aluminum Base PP/Standard Aluminum Base with 12" Power Pipe™ Stake SF/Stability Flange <i>(for use with Power Pipe™)</i> L75E-120/Integral 75VA Electronic 120V Transformer L75E-230/Integral 75VA Electronic 230V Transformer L75E-277/Integral 75VA Electronic 277V Transformer L150E-120/Integral 150VA Electronic 120V Transformer L150E-230/Integral 150VA Electronic 230V Transformer L150E-277/Integral 150VA Electronic 277V Transformer

STAFF STAR™

SF



Adjust-e-Lume®
(BKSSL®)

Series	SF/Staff Star™ Pathlight
Stem Length	24", 30", 36", 42", 48", *54",*60",*66", or *72" <i>(Specify in Inches) *For use with Standard Anchor Base Only</i>
Style	B/180° Radius C/Straight Mount L/90° Radius
Source	LED/'e' Technology with Integral Driver 1:∞ <i>Designed for use with a BKSSL® Transformer</i>
LED Type	e36/8WLED/2.7K e23/8WLED/4K e22/8WLED/3K e27/8WLED/Amber <i>See pages 381-384 for Adjust-e-Lume® Lamp Data information</i>
Optics	NSP/Narrow Spot (14°) MFL/Medium Flood (25°) SP/Spot (18°) WFL/Wide Flood (36°)
Adjust-e-Lume® Output Intensity	A9 (Standard), A8, A7, A6, A5, A4, A3, A2, A1 <i>Please see Adjust-e-Lume® photometry to determine desired intensity. (Choose factory setting)</i>
Finish	See pages 406-407 for Finish choices
Lens Type	12/Soft Focus Lens 13/Rectilinear Lens
Shielding	11/Honeycomb Baffle
Cap Style	A/45° D/45° (less weep hole) B/90° E/90° (less weep hole) C/Flush F/90° Cutoff with Flush Lens
Options	___/Anchor Base <i>(Standard, for use with remote transformer)</i> PP18B/18" Power Pipe™ stake with 'B' Cap <i>(for use with remote transformer)</i> PP-TRe20/Power Pipe™ "T" option with 18" stake and TRe20 Electronic Transformer* <i>(150-300 VAC, 50/60 Hz, Non-Dimming)</i> <i>*For use with up to 48" maximum stem length</i> SF/Stability Flange <i>(for use with Power Pipe™)</i>

TWIN STAFF STAR™

TF



Adjust-e-Lume®
(BKSSL®)

Series	TF/Twin Staff Star™ Pathlight
Stem Length	24", 30", 36", 42", 48", *54",*60",*66", or *72" <i>(Specify in Inches) *For use with Standard Anchor Base Only</i>
Style	B/180° Radius C/Straight Mount
Source	LED/'e' Technology with Integral Driver 1:∞ <i>Designed for use with a BKSSL® Transformer</i>
LED Type	e36/8WLED/2.7K e23/8WLED/4K e22/8WLED/3K e27/8WLED/Amber <i>See pages 381-384 for Adjust-e-Lume® Lamp Data information</i>
Optics	NSP/Narrow Spot (14°) MFL/Medium Flood (25°) SP/Spot (18°) WFL/Wide Flood (36°)
Adjust-e-Lume® Output Intensity	A9 (Standard), A8, A7, A6, A5, A4, A3, A2, A1 <i>Please see Adjust-e-Lume® photometry to determine desired intensity. (Choose factory setting)</i>
Finish	See pages 406-407 for Finish choices
Lens Type	12/Soft Focus Lens 13/Rectilinear Lens
Shielding	11/Honeycomb Baffle
Cap Style	A/45° D/45° (less weep hole) B/90° E/90° (less weep hole) C/Flush F/90° Cutoff with Flush Lens
Options	___/Anchor Base <i>(Standard, for use with remote transformer)</i> PP18B/18" Power Pipe™ stake with 'B' Cap <i>(for use with remote transformer)</i> PP-TRe20/Power Pipe™ "T" option with Transformer SF/Stability Flange <i>(for use with Power Pipe™)</i>

STAFF STAR™

SF



MR16 Halogen

Series	SF/Staff Star™ Pathlight
Stem Length	24", 30", 36", 42", 48", *54", *60", *66", or *72" (Specify in Inches) *For use with Standard Anchor Base Only
Style	B/180° Radius C/Straight Mount L/90° Radius
Source	MR/MR16 Halogen 1:∞
Lamp Type	See page 387 for MR16 Halogen Lamp choices
Finish	See pages 406-407 for Finish choices
Lens Type*	9/Clear Lens (Standard) 12/Soft Focus Lens 10/Spread Lens 13/Rectilinear Lens
Shielding*	11/Honeycomb Baffle *Accommodates only 2 Lens/Shielding media
Cap Style	A/45° D/45° (less weephole) B/90° E/90° (less weephole) C/Flush F/90° Cutoff with Flush Lens
Options	___/Anchor Base (Standard, for use with remote transformer) PP18B/18" Power Pipe™ stake with 'B' Cap (for use with remote transformer) PP-L75E-120/Power Pipe™ "T" option 18" stake and 120V with Transformer PP-L75E-230/Power Pipe™ "T" option 18" stake and 230V with Transformer PP-L75E-277/Power Pipe™ "T" option 18" stake and 277V with Transformer SF/Stability Flange (for use with Power Pipe™)

TWIN STAFF STAR™

TF



MR16 Halogen

Series	TF/Twin Staff Star™ Pathlight
Stem Length	24", 30", 36", 42", 48", *54", *60", *66", or *72" (Specify in Inches) *For use with Standard Anchor Base Only
Style	B/180° Radius C/Straight Mount
Source	MR/MR16 Halogen 1:∞
Lamp Type	See page 387 for MR16 Halogen Lamp choices
Finish	See pages 406-407 for Finish choices
Lens Type*	9/Clear Lens (Standard) 12/Soft Focus Lens 10/Spread Lens 13/Rectilinear Lens
Shielding*	11/Honeycomb Baffle *Accommodates only 2 Lens/Shielding media
Cap Style	A/45° D/45° (less weephole) B/90° E/90° (less weephole) C/Flush F/90° Cutoff with Flush Lens
Options	___/Anchor Base (Standard, for use with remote transformer) PP18B/18" Power Pipe™ stake with 'B' Cap (for use with remote transformer) PPII-L150E-120/Power Pipe II™ "T" option 18" stake and 120V with Transformer PPII-L150E-230/Power Pipe II™ "T" option 18" stake and 230V with Transformer PPII-L150-277/Power Pipe II™ "T" option 18" stake and 277V with Transformer SF/Stability Flange (for use with Power Pipe™)

DENALI SERIES™ STAFF STAR™

SF-DE



Power of 'X'
(BKSSL*)

Series	SF/Staff Star™ Pathlight
Stem Length	24", 30", 36", 42", 48", *54", *60", *66", or *72" (Specify in Inches) *For use with HP2 Driver Housing Only
Style	B/180° Radius L/90° Radius
Fixture	DE/Denali Series™
Source	LED/'X' Module with Cold Phosphor Technology 1:1
LED Type	x30/18WLED/2.7K x33/29WLED/2.7K x31/18WLED/3K x34/29WLED/3k x32/18WLED/4K x35/29WLED/4k <i>See page 384 for Power of 'X' Lamp Data Information</i>
Optics	SP/Spot (20°) FL/Flood (40°) WFL/Wide Flood (60°)
Finish	See pages 406-407 for Finish choices
Lens Type*	9/Clear (Standard) 12/Soft Focus Lens 10/Spread Lens 13/Rectilinear Lens
Shielding*	11/Honeycomb Baffle *Accommodates up to 2 Lens/Shielding media
Cap Style	A/45° D/45° (less weephole) B/90° E/90° (less weephole) C/Flush
Options	HP2/In-Grade (Flush) Driver Housing PPII18B/18" Power Pipe II™ stake with 'B' Cap SF/Stability Flange (for use with Power Pipe™)
Driver Housing	Requires Remote Driver See pages 375-377 for Driver choices

DENALI SERIES™ TWIN STAFF STAR™

TF-DE



Power of 'X'
(BKSSL*)

Series	TF/Twin Staff Star™ Pathlight
Stem Length	24", 30", 36", 42", 48", *54", *60", *66", or *72" (Specify in Inches) *For use with HP2 Driver Housing Only
Style	B/180° Radius C/Straight Mount
Fixture	DE/Denali Series™
Source	LED/'X' Module with Cold Phosphor Technology 1:1
LED Type	x30/18WLED/2.7K x33/29WLED/2.7K x31/18WLED/3K x34/29WLED/3k x32/18WLED/4K x35/29WLED/4k <i>See page 384 for Power of 'X' Lamp Data Information</i>
Optics	SP/Spot (20°) FL/Flood (40°) WFL/Wide Flood (60°)
Finish	See pages 406-407 for Finish choices
Lens Type*	9/Clear (Standard) 12/Soft Focus Lens 10/Spread Lens 13/Rectilinear Lens
Shielding*	11/Honeycomb Baffle *Accommodates up to 2 Lens/Shielding media
Cap Style	A/45° D/45° (less weephole) B/90° E/90° (less weephole) C/Flush
Options	HP2/In-Grade (Flush) Driver Housing PPII18B/18" Power Pipe II™ stake with 'B' Cap SF/Stability Flange (for use with Power Pipe™)
Driver Housing	Requires Remote Driver See pages 375-377 for Driver choices

MICRO NITE™ STAFF STAR™

SF-MN



Series	SF/Staff Star™ Pathlight
Stem Length	24", 30", 36", 42", 48", *54", *60", *66", or *72" (Specify in Inches) *For use with Standard Anchor Base Only
Style	B/180° Radius L/90° Radius C/Straight Mount
Fixture	MN/Micro Nite Star™ Floodlight
Source	LED/'e' Technology with Integral Driver 1:∞ <i>Designed for use with a BKSSL* Transformer</i>
LED Type	e37/8WLED/2.7K e17/8WLED/4K e16/8WLED/3K e21/8WLED/Amber <i>See page 380 for Power of 'e' Lamp Data information</i>
Optics	SP/Spot (20°) FL/Flood (30°) NFL/Narrow Flood (25°)
Finish	See pages 406-407 for Finish choices
Lens Type	12/Soft Focus Lens 13/Rectilinear Lens
Shielding	11/Honeycomb Baffle
Cap Style	A/45° D/45° (less weephole) B/90° E/90° (less weephole) C/Flush
Options	___/Anchor Base (Standard, for use with remote transformer) PP18B/18" Power Pipe™ stake with 'B' Cap <i>(for use with remote transformer)</i> PP-TRe20/Power Pipe™ "T" option with 18" stake and TRe20 Electronic Transformer* <i>(105-300 VAC 50/60Hz. Non-Dimming)</i> <i>*For use with up to 48" maximum stem length</i> SF/Stability Flange <i>(for use with Power Pipe™)</i>

MICRO NITE™ TWIN STAFF STAR™

TF-MN



Series	TF/Twin Staff Star™ Pathlight
Stem Length	24", 30", 36", 42", 48", *54", *60", *66", or *72" (Specify in Inches) *For use with Standard Anchor Base Only
Style	B/180° Radius C/Straight Mount
Fixture	MN/Micro Nite Star™ Floodlight
Source	LED/'e' Technology with Integral Driver 1:∞ <i>Designed for use with a BKSSL* Transformer</i>
LED Type	e37/8WLED/2.7K e17/8WLED/4K e16/8WLED/3K e21/8WLED/Amber <i>See page 380 for Power of 'e' Lamp Data information</i>
Optics	SP/Spot (20°) FL/Flood (30°) NFL/Narrow Flood (25°)
Finish	See pages 406-407 for Finish choices
Lens Type	12/Soft Focus Lens 13/Rectilinear Lens
Shielding	11/Honeycomb Baffle
Cap Style	A/45° D/45° (less weephole) B/90° E/90° (less weephole) C/Flush
Options	___/Anchor Base (Standard, for use with remote transformer) PP18B/18" Power Pipe™ stake with 'B' Cap <i>(for use with remote transformer)</i> PP-TRe20/Power Pipe™ "T" option with 18" stake and TRe20 Electronic Transformer* <i>(105-300 VAC 50/60Hz. Non-Dimming)</i> <i>*For use with up to 48" maximum stem length</i>

MICRO NITE™ STAFF STAR™

SF-MN



Series	SF/Staff Star™ Pathlight
Stem Length	24", 30", 36", 42", 48", *54", *60", *66", or *72" (Specify in Inches) *For use with Standard Anchor Base Only
Style	B/180° Radius L/90° Radius C/Straight Mount
Source	MR/MR11 Halogen 1:∞
Lamp Type	See page 386 for MR11 Halogen Lamp choices
Finish	See pages 406-407 for Finish choices
Lens Type*	9/Clear Lens (Standard) 12/Soft Focus Lens 10/Spread Lens 13/Rectilinear Lens
Shielding*	11/Honeycomb Baffle <i>*Accommodates only 2 Lens/Shielding media</i>
Cap Style	A/45° D/45° (less weephole) B/90° E/90° (less weephole) C/Flush
Options	___/Anchor Base (Standard, for use with remote transformer) PP18B/18" Power Pipe™ stake with 'B' Cap <i>(for use with remote transformer)</i> PP-L75E-120/Power Pipe™ "T" option 18" stake and 120V with Transformer PP-L75E-230/Power Pipe™ "T" option 18" stake and 230V with Transformer PP-L75E-277/Power Pipe™ "T" option 18" stake and 277V with Transformer SF/Stability Flange <i>(for use with Power Pipe™)</i>

MICRO NITE™ TWIN STAFF STAR™

SF-MN



Series	TF/Twin Staff Star™ Pathlight
Stem Length	24", 30", 36", 42", 48", *54", *60", *66", or *72" (Specify in Inches) *For use with Standard Anchor Base Only
Style	B/180° Radius C/Straight Mount
Source	MR/MR11 Halogen 1:∞
Lamp Type	See page 386 for MR11 Halogen Lamp choices
Finish	See pages 406-407 for Finish choices
Lens Type*	9/Clear Lens (Standard) 12/Soft Focus Lens 10/Spread Lens 13/Rectilinear Lens
Shielding*	11/Honeycomb Baffle <i>*Accommodates only 2 Lens/Shielding media</i>
Cap Style	A/45° D/45° (less weephole) B/90° E/90° (less weephole) C/Flush
Options	___/Anchor Base (Standard, for use with remote transformer) PP18B/18" Power Pipe™ stake with 'B' Cap <i>(for use with remote transformer)</i> PP-L75E-120/Power Pipe™ "T" option 18" stake and 120V with Transformer PP-L75E-230/Power Pipe™ "T" option 18" stake and 230V with Transformer PP-L75E-277/Power Pipe™ "T" option 18" stake and 277V with Transformer SF/Stability Flange <i>(for use with Power Pipe™)</i>

MINI-MICRO™ STAFF STAR™

SF-MM



Power of 'e'
(BKSSL®)

Series	SF/Staff Star™ Pathlight
Stem Length	24", 30", 36", 42", 48", *54", *60", *66", or *72" (Specify in Inches) *For use with Standard Anchor Base Only
Style	B/180° Radius L/90° Radius
Fixture	MM/Mini-Micro™ Floodlight
Source	LED/'e' Technology with Integral Driver <i>Designed for use with a BKSSL® Transformer</i>
LED Type	e38/3WLED/2.7K e11/3WLED/4K e10/3WLED/3K e15/3WLED/Amber <i>See page 380 for Power of 'e' Lamp Data information</i>
Optics	SP/Spot (16°) FL/Flood (33°)
Finish	See pages 406-407 for Finish choices
Lens Type	12/Soft Focus Lens 13/Rectilinear Lens
Shielding	11/Honeycomb Baffle
Cap Style	A/45° D/45° (less weephole) B/90° E/90° (less weephole) C/Flush
Options	___/Anchor Base (Standard, for use with remote transformer) PP18B/18" Power Pipe™ stake with 'B' Cap <i>(for use with remote transformer)</i> PP-TRe20/Power Pipe™ "T" option with 18" stake and TRe20 Electronic Transformer* <i>(105-300 VAC 50/60Hz. Non-Dimming)</i> <i>*For use with up to 48" maximum stem length</i> SF/Stability Flange (for use with Power Pipe™)

MINI-MICRO™ TWIN STAFF STAR™

TF-MM



Power of 'e'
(BKSSL®)

Series	TF/Twin Staff Star™ Pathlight
Stem Length	24", 30", 36", 42", 48", *54", *60", *66", or *72" (Specify in Inches) *For use with Standard Anchor Base Only
Style	B/180° Radius C/Straight Mount
Fixture	MM/Mini-Micro™ Floodlight
Source	LED/'e' Technology with Integral Driver <i>Designed for use with a BKSSL® Transformer</i>
LED Type	e38/3WLED/2.7K e11/3WLED/4K e10/3WLED/3K e15/3WLED/Amber <i>See page 380 for Power of 'e' Lamp Data information</i>
Optics	SP/Spot (16°) FL/Flood (33°)
Finish	See pages 406-407 for Finish choices
Lens Type	12/Soft Focus Lens 13/Rectilinear Lens
Shielding	11/Honeycomb Baffle
Cap Style	A/45° D/45° (less weephole) B/90° E/90° (less weephole) C/Flush
Options	___/Anchor Base (Standard, for use with remote transformer) PP18B/18" Power Pipe™ stake with 'B' Cap <i>(for use with remote transformer)</i> PP-TRe20/Power Pipe™ "T" option with 18" stake and TRe20 Electronic Transformer* <i>(105-300 VAC 50/60Hz. Non-Dimming)</i> <i>*For use with up to 48" maximum stem length</i> SF/Stability Flange (for use with Power Pipe™)

INTEGRAL DRIVESTAR2™

DR2-LED



Power of 'e'
(BKSSL®)

Material	___ Aluminum B/Brass S/Stainless Steel
Faceplate	DR2/DriveStar2™
OptiLock®	LED/'e' Technology with Integral Driver
Housing	TR/Integral Transformer
LED Type	e57/6WLED/2.7K e58/6WLED/3K e59/6WLED/4K <i>See page 380 for Power of 'e' Lamp Data information</i>
Finish	See pages 406-407 for Finish choices
Optical Openings	1/Single 2/2 at 180° 4/4 at 90°
Input Voltage	MT/105-300 VAC Input

REMOTE DEEP DRIVESTAR2™

DR2-LED



Power of 'e'
(BKSSL®)

Material	___ Aluminum B/Brass S/Stainless Steel
Faceplate	DR2/DriveStar2™
OptiLock®	LED/'e' Technology with Integral Dimming Driver <i>Designed for use with a BKSSL® Transformer</i> <i>25W min. load when dimmed. Requires magnetic Low Voltage dimmer.</i>
Housing	RD/Remote Deep Housing <i>(Requires Remote Transformer)</i>
LED Type	e57/6WLED/2.7K e58/6WLED/3K e59/6WLED/4K <i>See page 380 for Power of 'e' Lamp Data information</i>
Finish	See pages 406-407 for Finish choices
Optical Openings	1/Single 2/2 at 180° 4/4 at 90°

REMOTE SHALLOW DRIVESTAR2™

DR2-LED



Power of 'e'
(BKSSL®)

Material	___ Aluminum B/Brass S/Stainless Steel
Faceplate	DR2/DriveStar2™
OptiLock®	LED/'e' Technology with Integral Dimming Driver <i>Designed for use with a BKSSL® Transformer</i> <i>25W min. load when dimmed. Requires magnetic Low Voltage dimmer.</i>
Housing	RS/Remote Shallow Housing <i>(Requires Remote Transformer)</i>
LED Type	e57/6WLED/2.7K e58/6WLED/3K e59/6WLED/4K <i>See page 380 for Power of 'e' Lamp Data information</i>
Finish	See pages 406-407 for Finish choices
Optical Openings	1/Single 2/2 at 180° 4/4 at 90°

MINI-MICRO™ DRIVESTAR™

MD



Power of 'e'
(BKSSL®)

Material		__ Aluminum	B/Brass	S/Stainless Steel
Series		MD/Mini-Micro™ DriveStar™		
Source		LED/e' Technology with Integral Driver 1:∞ <i>Designed for use with a BKSSL® Transformer</i>		
LED Type		e39/3WLED/2.7K e40/3WLED/3K	e41/3WLED/4K e45/3WLED/Amber	
Installation		F/Flush	S/Surface Mount	
Finish		See pages 406-407 for Finish choices		
Optical Openings		1/Single	2/2 at 180°	4/4 at 90°
Faceplate Style		A/Solid	B/Round Accent	

INTEGRAL DRIVESTAR2™

DR2-T4



T4 Halogen

Material		__ Aluminum	B/Brass	S/Stainless Steel
Faceplate		DR2/DriveStar™		
OptiLock®		T4/T4 Halogen		
Housing		TR/Integral Transformer		
Lamp Type		See page 391 for T4 Halogen Lamp choices		
Finish		See pages 406-407 for Finish choices		
Optical Openings		1/Single	2/2 at 180°	4/4 at 90°
Input Voltage		120/120 VAC Input	277/277 VAC Input	

REMOTE DEEP DRIVESTAR2™

DR2-T4



T4 Halogen

Material		__ Aluminum	B/Brass	S/Stainless Steel
Faceplate		DR2/DriveStar™		
OptiLock®		T4/T4 Halogen		
Housing		RD/Remote Deep Housing 1:∞	<i>(Requires Remote Transformer)</i>	
Lamp Type		See page 391 for T4 Halogen Lamp choices		
Finish		See pages 406-407 for Finish choices		
Optical Openings		1/Single	2/2 at 180°	4/4 at 90°

REMOTE SHALLOW DRIVESTAR2™

DR2-T4



T4 Halogen

Material		__ Aluminum	B/Brass	S/Stainless Steel
Faceplate		DR2/DriveStar™		
OptiLock®		T4/T4 Halogen		
Housing		RS/Remote Shallow Housing 1:∞	<i>(Requires Remote Transformer)</i>	
Lamp Type		See page 391 for T4 Halogen Lamp choices		
Finish		See pages 406-407 for Finish choices		
Optical Openings		1/Single	2/2 at 180°	4/4 at 90°

INTEGRAL DRIVESTAR2™

DR2-T6



T4.5 Metal Halide



T6 Metal Halide

Material		__ Aluminum	B/Brass	S/Stainless Steel
Faceplate		DR2/DriveStar™ (T4.5 or T6 Metal Halide)		
OptiLock®		T4520/T4.5 Metal Halide (20W) T4535/T4.5 Metal Halide (35W) T635/T6 Metal Halide (35W)		
Housing		TR/Integral Ballast Housing		
Lamp Type		See page 402 for T4.5 Metal Halide Lamp choices See page 402 for T6 Metal Halide Lamp choices		
Finish		See pages 406-407 for Finish choices		
Optical Openings		1/Single	2/2 at 180°	4/4 at 90°
Input Voltage		120/120 VAC Input	277/277 VAC Input	

REMOTE DEEP DRIVESTAR2™

DR2-T6



T6 Metal Halide

Material		__ Aluminum	B/Brass	S/Stainless Steel
Faceplate		DR2/DriveStar™ (T6 Metal Halide)		
OptiLock®		T635/T6 Metal Halide (35W) 1:1		
Housing		RD/Remote Deep Housing	<i>(Requires Remote Ballast)</i>	
Lamp Type		See page 402 for T6 Metal Halide Lamp choices		
Finish		See pages 406-407 for Finish choices		
Optical Openings		1/Single	2/2 at 180°	4/4 at 90°
Ballast Housing		Requires Remote Ballast See pages 371-374 for Ballast choices		

REMOTE SHALLOW DRIVESTAR2™

DR2-T6



T6 Metal Halide

Material		__ Aluminum	B/Brass	S/Stainless Steel
Faceplate		DR2/DriveStar™ (T6 Metal Halide)		
OptiLock®		T635/T6 Metal Halide (35W) 1:1		
Housing		RS/Remote Shallow Housing	<i>(Requires Remote Ballast)</i>	
Lamp Type		See page 402 for T6 Metal Halide Lamp choices		
Finish		See pages 406-407 for Finish choices		
Optical Openings		1/Single	2/2 at 180°	4/4 at 90°
Ballast Housing		Requires Remote Ballast See pages 371-374 for Ballast choices		

INTEGRAL HP2™

HP2-LED



Adjust-e-Lume®
(BKSSL®)

Material	__ Aluminum B/Brass S/Stainless Steel
Faceplate	HP2/Flush
OptiLock®	LED/e' Technology with Integral Driver
Housing	TR/Integral Transformer Housing
LED Type	e36/8WLED/2.7K e23/8WLED/4K e22/8WLED/3K e27/8WLED/Amber <i>See pages 381-384 for Adjust-e-Lume® Lamp Data information</i>
Optics	NSP/Narrow Spot (14°) MFL/Medium Flood (25°) SP/Spot (18°) WFL/Wide Flood (36°)
Adjust-e-Lume® Output Intensity	A9 (Standard), A8, A7, A6, A5, A4, A3, A2, A1 <i>Please see Adjust-e-Lume® photometry to determine desired intensity. (Choose factory setting)</i>
Finish	See pages 406-407 for Finish choices
Accessory	11/Honeycomb Baffle 12/Soft Focus Lens 13/Rectilinear Lens <i>(Select up to 2. Requires Accessory Holder)</i>
Transformer Type	TRe20/TRe20 Electronic Transformer* <i>(*105-300 VAC, 50/60 Hz, Non-Dimming.)</i>
Option	AH/Accessory Holder DG/Dome Glass Lens <i>(Replaces Flat Glass. Not Driveover Rated)</i> GM-R/Round Grout Mask GM-S/Square Grout Mask GS/Glare Shield* HD/Half Dome* RG/Rock Guard* RO/Rock Guard with Optical Opening* <i>*Furnished in copper free aluminum. Finish to Match Faceplate. Dome lens included.</i>

REMOTE DEEP HP2™

HP2-LED



Adjust-e-Lume®
(BKSSL®)

Material	__ Aluminum B/Brass S/Stainless Steel
Faceplate	HP2/Flush
OptiLock®	LED/e' Technology with Integral Dimming Driver 1:∞ <i>Designed for use with a BKSSL® Transformer 25W min. load when dimmed. Requires magnetic Low Voltage dimmer.</i>
Housing	RD/Remote Deep Housing <i>(Requires Remote Transformer)</i>
LED Type	e36/8WLED/2.7K e23/8WLED/4K e22/8WLED/3K e27/8WLED/Amber <i>See pages 381-384 for Adjust-e-Lume® Lamp Data information</i>
Optics	NSP/Narrow Spot (14°) MFL/Medium Flood (25°) SP/Spot (18°) WFL/Wide Flood (36°)
Adjust-e-Lume® Output Intensity	A9 (Standard), A8, A7, A6, A5, A4, A3, A2, A1 <i>Please see Adjust-e-Lume® photometry to determine desired intensity. (Choose factory setting)</i>
Finish	See pages 406-407 for Finish choices
Accessory	11/Honeycomb Baffle 12/Soft Focus Lens 13/Rectilinear Lens <i>(Select up to 2. Requires Accessory Holder)</i>
Option	AH/Accessory Holder DG/Dome Glass Lens <i>(Replaces Flat Glass. Not Driveover Rated)</i> GM-R/Round Grout Mask GM-S/Square Grout Mask GS/Glare Shield* HD/Half Dome* RG/Rock Guard* RO/Rock Guard with Optical Opening* <i>*Furnished in copper free aluminum. Finish to Match Faceplate. Dome lens included.</i>

INTEGRAL CO2™

CO2-LED



Adjust-e-Lume®
(BKSSL®)

Material	__ Aluminum B/Brass S/Stainless Steel
Faceplate	CO2/Flange
OptiLock®	LED/e' Technology with Integral Driver
Housing	TR/Integral Transformer Housing
LED Type	e36/8WLED/2.7K e23/8WLED/4K e22/8WLED/3K e27/8WLED/Amber <i>See pages 381-384 for Adjust-e-Lume® Lamp Data information</i>
Optics	NSP/Narrow Spot (14°) MFL/Medium Flood (25°) SP/Spot (18°) WFL/Wide Flood (36°)
Adjust-e-Lume® Output Intensity	A9 (Standard), A8, A7, A6, A5, A4, A3, A2, A1 <i>Please see Adjust-e-Lume® photometry to determine desired intensity. (Choose factory setting)</i>
Finish	See pages 406-407 for Finish choices
Accessory	11/Honeycomb Baffle 12/Soft Focus Lens 13/Rectilinear Lens <i>(Select up to 2. Requires Accessory Holder)</i>
Transformer Type	TRe20/TRe20 Electronic Transformer* <i>(*105-300 VAC, 50/60 Hz, Non-Dimming.)</i>
Option	AH/Accessory Holder DG/Dome Glass Lens <i>(Replaces Flat Glass. Not Driveover Rated)</i> GM-R/Round Grout Mask GM-S/Square Grout Mask

REMOTE DEEP CO2™

CO2-LED



Adjust-e-Lume®
(BKSSL®)

Material	__ Aluminum B/Brass S/Stainless Steel
Faceplate	CO2/Flange
OptiLock®	LED/e' Technology with Integral Dimming Driver 1:∞ <i>Designed for use with a BKSSL® Transformer 25W min. load when dimmed. Requires magnetic Low Voltage dimmer.</i>
Housing	RD/Remote Deep Housing <i>(Requires Remote Transformer)</i>
LED Type	e36/8WLED/2.7K e23/8WLED/4K e22/8WLED/3K e27/8WLED/Amber <i>See pages 381-384 for Adjust-e-Lume® Lamp Data information</i>
Optics	NSP/Narrow Spot (14°) MFL/Medium Flood (25°) SP/Spot (18°) WFL/Wide Flood (36°)
Adjust-e-Lume® Output Intensity	A9 (Standard), A8, A7, A6, A5, A4, A3, A2, A1 <i>Please see Adjust-e-Lume® photometry to determine desired intensity. (Choose factory setting)</i>
Finish	See pages 406-407 for Finish choices
Accessory	11/Honeycomb Baffle 12/Soft Focus Lens 13/Rectilinear Lens <i>(Select up to 2. Requires Accessory Holder)</i>
Option	AH/Accessory Holder DG/Dome Glass Lens <i>(Replaces Flat Glass. Not Driveover Rated)</i> GM-R/Round Grout Mask GM-S/Square Grout Mask

REMOTE SHALLOW HP2™

HP2-LED



Adjust-e-Lume®
(BKSSL®)

Material	__ Aluminum B/Brass S/Stainless Steel
Faceplate	HP2/Flush
OptiLock®	LED/e' Technology with Integral Dimming Driver <i>Designed for use with a BKSSL® Transformer 25W min. load when dimmed. Requires magnetic Low Voltage dimmer.</i>
Housing	RS/Remote Shallow Housing <i>(Requires Remote Transformer)</i>
LED Type	e36/8WLED/2.7K e23/8WLED/4K e22/8WLED/3K e27/8WLED/Amber <i>See pages 381-384 for Adjust-e-Lume® Lamp Data information</i>
Optics	NSP/Narrow Spot (14°) MFL/Medium Flood (25°) SP/Spot (18°) WFL/Wide Flood (36°)
Adjust-e-Lume® Output Intensity	A9 (Standard), A8, A7, A6, A5, A4, A3, A2, A1 <i>Please see Adjust-e-Lume® photometry to determine desired intensity. (Choose factory setting)</i>
Finish	See pages 406-407 for Finish choices
Accessory	11/Honeycomb Baffle 12/Soft Focus Lens 13/Rectilinear Lens <i>(Select up to 2. Requires Accessory Holder)</i>
Option	AH/Accessory Holder DG/Dome Glass Lens <i>(Replaces Flat Glass. Not Driveover Rated)</i> GM-R/Round Grout Mask GM-S/Square Grout Mask GS/Glare Shield* HD/Half Dome* RG/Rock Guard* RO/Rock Guard with Optical Opening* <i>* Furnished in copper free aluminum. Finish to Match Faceplate. Dome lens included.</i>

REMOTE SHALLOW CO2™

CO2-LED



Adjust-e-Lume®
(BKSSL®)

Material	__ Aluminum B/Brass S/Stainless Steel
Faceplate	CO2/Flange
OptiLock®	LED/e' Technology with Integral Dimming Driver <i>Designed for use with a BKSSL® Transformer 25W min. load when dimmed. Requires magnetic Low Voltage dimmer.</i>
Housing	RS/Remote Shallow Housing <i>(Requires Remote Transformer)</i>
LED Type	e36/8WLED/2.7K e23/8WLED/4K e22/8WLED/3K e27/8WLED/Amber <i>See pages 381-384 for Adjust-e-Lume® Lamp Data information</i>
Optics	NSP/Narrow Spot (14°) MFL/Medium Flood (25°) SP/Spot (18°) WFL/Wide Flood (36°)
Adjust-e-Lume® Output Intensity	A9 (Standard), A8, A7, A6, A5, A4, A3, A2, A1 <i>Please see Adjust-e-Lume® photometry to determine desired intensity. (Choose factory setting)</i>
Finish	See pages 406-407 for Finish choices
Accessory	11/Honeycomb Baffle 12/Soft Focus Lens 13/Rectilinear Lens <i>(Select up to 2. Requires Accessory Holder)</i>
Option	AH/Accessory Holder DG/Dome Glass Lens <i>(Replaces Flat Glass. Not Driveover Rated)</i> GM-R/Round Grout Mask GM-S/Square Grout Mask

INTEGRAL OFFSET HP2™

HP2-LED



Adjust-e-Lume®
(BKSSL®)

Material	__ Aluminum B/Brass S/Stainless Steel
Faceplate	HP2/Flush
Style	OS/Offset Lens
OptiLock®	LED/e' Technology with Integral Driver
Housing	TR/Integral Transformer Housing
LED Type	e36/8WLED/2.7K e23/8WLED/4K e22/8WLED/3K e27/8WLED/Amber <i>See pages 381-384 for Adjust-e-Lume® Lamp Data information</i>
Optics	NSP/Narrow Spot (14°) MFL/Medium Flood (25°) SP/Spot (18°) WFL/Wide Flood (36°)
Adjust-e-Lume® Output Intensity	A9 (Standard), A8, A7, A6, A5, A4, A3, A2, A1 <i>Please see Adjust-e-Lume® photometry to determine desired intensity. (Choose factory setting)</i>
Finish	See pages 406-407 for Finish choices
Accessory	11/Honeycomb Baffle 12/Soft Focus Lens 13/Rectilinear Lens <i>(Select up to 2. Requires Accessory Holder)</i>
Transformer Type	TRe20/TRe20 Electronic Transformer* <i>(*105-300 VAC, 50/60 Hz, Non-Dimming.)</i>
Option	AH/Accessory Holder DG/Dome Glass Lens <i>(Replaces Flat Glass. Not Driveover Rated)</i> GM-R/Round Grout Mask GM-S/Square Grout Mask GS/Glare Shield* HD/Half Dome* RG/Rock Guard* RO/Rock Guard with Optical Opening* <i>* Furnished in copper free aluminum. Finish to Match Faceplate. Dome lens included.</i>

INTEGRAL OFFSET CO2™

CO2-LED



Adjust-e-Lume®
(BKSSL®)

Material	__ Aluminum B/Brass S/Stainless Steel
Faceplate	CO2/Flange
Style	OS/Offset Lens
OptiLock®	LED/e' Technology with Integral Driver
Housing	TR/Integral Transformer Housing
LED Type	e36/8WLED/2.7K e23/8WLED/4K e22/8WLED/3K e27/8WLED/Amber <i>See pages 381-384 for Adjust-e-Lume® Lamp Data information</i>
Optics	NSP/Narrow Spot (14°) MFL/Medium Flood (25°) SP/Spot (18°) WFL/Wide Flood (36°)
Adjust-e-Lume® Output Intensity	A9 (Standard), A8, A7, A6, A5, A4, A3, A2, A1 <i>Please see Adjust-e-Lume® photometry to determine desired intensity. (Choose factory setting)</i>
Finish	See pages 406-407 for Finish choices
Accessory	11/Honeycomb Baffle 12/Soft Focus Lens 13/Rectilinear Lens <i>(Select up to 2. Requires Accessory Holder)</i>
Transformer Type	TRe20/TRe20 Electronic Transformer* <i>(*105-300 VAC, 50/60 Hz, Non-Dimming.)</i>
Option	AH/Accessory Holder DG/Dome Glass Lens <i>(Replaces Flat Glass. Not Driveover Rated)</i> GM-R/Round Grout Mask GM-S/Square Grout Mask

REMOTE DEEP OFFSET HP2™

HP2-OS



Adjust-e-Lume®
(BKSSL®)

Material	__ Aluminum B/Brass S/Stainless Steel
Faceplate	HP2/Flush
Style	OS/Offset Lens
OptiLock®	LED/e' Technology with Integral Dimming Driver 1:∞ <i>Designed for use with a BKSSL® Transformer 25W min. load when dimmed. Requires magnetic Low Voltage dimmer.</i>
Housing	RD/Remote Deep Housing <i>(Requires Remote Transformer)</i>
LED Type	e36/8WLED/2.7K e23/8WLED/4K e22/8WLED/3K e27/8WLED/Amber <i>See pages 381-384 for Adjust-e-Lume® Lamp Data information</i>
Optics	NSP/Narrow Spot (14°) MFL/Medium Flood (25°) SP/Spot (18°) WFL/Wide Flood (36°)
Adjust-e-Lume® Output Intensity	A9 (Standard), A8, A7, A6, A5, A4, A3, A2, A1 <i>Please see Adjust-e-Lume® photometry to determine desired intensity. (Choose factory setting.)</i>
Finish	See pages 406-407 for Finish choices
Accessory	11/Honeycomb Baffle 12/Soft Focus Lens 13/Rectilinear Lens <i>(Select up to 2. Requires Accessory Holder)</i>
Option	AH/Accessory Holder DG/Dome Glass Lens <i>(Replaces Flat Glass. Not Driveover Rated)</i> GM-R/Round Grout Mask GM-S/Square Grout Mask GS/Glare Shield* HD/Half Dome* RG/Rock Guard* RO/Rock Guard with Optical Opening* <i>* Furnished in copper free aluminum. Finish to Match Faceplate. Dome lens included.</i>

INTEGRAL HP2™

HP2-LED



Power of 'X'
(BKSSL®)

Material	__ Aluminum B/Brass S/Stainless Steel
Faceplate	HP2/Flush
OptiLock®	LED/'X' Module with Cold Phosphor Technology
Housing	TR/Integral Driver Housing
LED Type	x30/18WLED/2.7K x32/18WLED/4K x31/18WLED/3K <i>See page 384 for Power of 'X' Lamp Data information</i>
Optics	SP/Spot (20°) WFL/Wide Flood (60°) FL/Flood (40°)
Finish	See pages 406-407 for Finish choices
Accessory	10/Spread Lens 12/Soft Focus Lens 11/Honeycomb Baffle 13/Rectilinear Lens <i>(Select up to 2. Requires Accessory Holder)</i>
Driver Type	D18NC/18W Dimming Driver <i>(for use with Incandescent Dimmer. 120V only)</i>
Input Voltage	MT/120-277 VAC Input
Option	AH/Accessory Holder DG/Dome Glass Lens <i>(Replaces Flat Glass. Not Driveover Rated)</i> GM-R/Round Grout Mask GM-S/Square Grout Mask GS/Glare Shield* HD/Half Dome* RG/Rock Guard* RO/Rock Guard with Optical Opening* TC/Traction Control Lens <i>(Replaces Flat Glass)</i> <i>* Furnished in copper free aluminum. Finish to Match Faceplate. Dome lens included.</i>

REMOTE DEEP OFFSET CO2™

CO2-OS



Adjust-e-Lume®
(BKSSL®)

Material	__ Aluminum B/Brass S/Stainless Steel
Faceplate	CO2/Flange
Style	OS/Offset Lens
OptiLock®	LED/e' Technology with Integral Dimming Driver 1:∞ <i>Designed for use with a BKSSL® Transformer 25W min. load when dimmed. Requires magnetic Low Voltage dimmer.</i>
Housing	RD/Remote Deep Housing <i>(Requires Remote Transformer)</i>
LED Type	e36/8WLED/2.7K e23/8WLED/4K e22/8WLED/3K e27/8WLED/Amber <i>See pages 381-384 for Adjust-e-Lume® Lamp Data information</i>
Optics	NSP/Narrow Spot (14°) MFL/Medium Flood (25°) SP/Spot (18°) WFL/Wide Flood (36°)
Adjust-e-Lume® Output Intensity	A9 (Standard), A8, A7, A6, A5, A4, A3, A2, A1 <i>Please see Adjust-e-Lume® photometry to determine desired intensity. (Choose factory setting.)</i>
Finish	See pages 406-407 for Finish choices
Accessory	11/Honeycomb Baffle 12/Soft Focus Lens 13/Rectilinear Lens <i>(Select up to 2. Requires Accessory Holder)</i>
Option	AH/Accessory Holder DG/Dome Glass Lens <i>(Replaces Flat Glass. Not Driveover Rated)</i> GM-R/Round Grout Mask GM-S/Square Grout Mask

INTEGRAL CO2™

CO2-LED



Power of 'X'
(BKSSL®)

Material	__ Aluminum B/Brass S/Stainless Steel
Faceplate	CO2/Flange
OptiLock®	LED/'X' Module with Cold Phosphor Technology
Housing	TR/Integral Driver Housing
LED Type	x30/18WLED/2.7K x32/18WLED/4K x31/18WLED/3K <i>See page 384 for Power of 'X' Lamp Data information</i>
Optics	SP/Spot (20°) WFL/Wide Flood (60°) FL/Flood (40°)
Finish	See pages 406-407 for Finish choices
Accessory	10/Spread Lens 12/Soft Focus Lens 11/Honeycomb Baffle 13/Rectilinear Lens <i>(Select up to 2. Requires Accessory Holder)</i>
Driver Type	D18NC/18W Dimming Driver <i>(for use with Incandescent Dimmer. 120V only)</i>
Input Voltage	MT/120-277 VAC Input
Option	AH/Accessory Holder DG/Dome Glass Lens <i>(Replaces Flat Glass. Not Driveover Rated)</i> GM-R/Round Grout Mask GM-S/Square Grout Mask TC/Traction Control Lens <i>(Replaces Flat Glass)</i>

B-K LIGHTING | TECHNICAL INFORMATION

INTEGRAL HP2™

HP2-LED



Material	__ Aluminum B/Brass S/Stainless Steel
Faceplate	HP2/Flush
OptiLock®	LED/'C' Module with Color Tuning Technology
Housing	TR/Integral Driver Housing
LED Type	C25/25WLED/2.7K-6K + Saturation and Hue <i>See page 385 for Power of 'X' Lamp Data information</i>
Optics	SP/Spot (15°) WFL/Wide Flood (45°) FL/Flood (30°)
Finish	See pages 406-407 for Finish choices
Accessory	11/Honeycomb Baffle
Driver Type	DC25/25W Driver
Control	010/0-10V Wired Installation <i>Requires 2 sets of 0-10V controls. Sold separately</i> WRL/Wireless <i>Requires Light Commissioning Tool. Sold separately.</i>
Input Voltage	120/120 VAC Input 277/277 VAC Input
Option	DG/Dome Glass Lens <i>(Replaces Flat Glass. Not Driveover Rated)</i> GM-R/Round Grout Mask GM-S/Square Grout Mask GS/Glare Shield* HD/Half Dome* RG/Rock Guard* RO/Rock Guard with Optical Opening* TC/Traction Control Lens <i>(Replaces Flat Glass)</i> <i>*Furnished in copper free aluminum. Finish to Match Faceplate. Dome lens included.</i>

INTEGRAL HP2™

HP2-MR



Material	__ Aluminum B/Brass S/Stainless Steel
Faceplate	HP2/Flush
OptiLock®	MR/MR16 Halogen
Housing	TR/Integral Transformer Housing
Lamp Type	See page 387 for MR16 Halogen Lamp choices
Finish	See pages 406-407 for Finish choices
Accessory	10/Spread Lens 12/Soft Focus Lens 11/Honeycomb Baffle 13/Rectilinear Lens <i>(Select up to 2. Requires Accessory Holder)</i>
Input Voltage	120/120 VAC Input 277/277 VAC Input
Option	AH/Accessory Holder DG/Dome Glass Lens <i>(Replaces Flat Glass. Not Driveover Rated)</i> GM-R/Round Grout Mask GM-S/Square Grout Mask GS/Glare Shield* HD/Half Dome* ICEE/ICEE™ Lens <i>(See pages 286-287 for details)</i> RG/Rock Guard* RO/Rock Guard with Optical Opening* <i>*Furnished in copper free aluminum. Finish to Match Faceplate. Dome lens included.</i>

INTEGRAL CO2™

CO2-LED



Material	__ Aluminum B/Brass S/Stainless Steel
Faceplate	CO2/Flange
OptiLock®	LED/'C' Module with Color Tuning Technology
Housing	TR/Integral Driver Housing
LED Type	C25/25WLED/2.7K-6K + Saturation and Hue <i>See page 385 for Power of 'X' Lamp Data information</i>
Optics	SP/Spot (15°) WFL/Wide Flood (45°) FL/Flood (30°)
Finish	See pages 406-407 for Finish choices
Accessory	11/Honeycomb Baffle
Driver Type	DC25/25W Driver
Control	010/0-10V Wired Installation <i>Requires 2 sets of 0-10V controls. Sold separately</i> WRL/Wireless <i>Requires Light Commissioning Tool. Sold separately.</i>
Input Voltage	120/120 VAC Input 277/277 VAC Input
Option	DG/Dome Glass Lens <i>(Replaces Flat Glass. Not Driveover Rated)</i> GM-R/Round Grout Mask GM-S/Square Grout Mask TC/Traction Control Lens <i>(Replaces Flat Glass)</i>

INTEGRAL CO2™

CO2-MR



Material	__ Aluminum B/Brass S/Stainless Steel
Faceplate	CO2/Flange
OptiLock®	MR/MR16 Halogen
Housing	TR/Integral Transformer
Lamp Type	See page 387 for MR16 Halogen Lamp choices
Finish	See pages 406-407 for Finish choices
Accessory	10/Spread Lens 12/Soft Focus Lens 11/Honeycomb Baffle 13/Rectilinear Lens <i>(Select up to 2. Requires Accessory Holder)</i>
Input Voltage	120/120 VAC Input 277/277 VAC Input
Option	AH/Accessory Holder DG/Dome Glass Lens <i>(Replaces Flat Glass. Not Driveover Rated)</i> GM-R/Round Grout Mask GM-S/Square Grout Mask

REMOTE DEEP HP2™

HP2-MR



MR16 Halogen

Material	__ Aluminum B/Brass S/Stainless Steel
Faceplate	HP2/Flush
OptiLock®	MR/MR16 Halogen 1:∞
Housing	RD/Remote Deep Housing <i>(Requires Remote Transformer)</i>
Lamp Type	See page 387 for MR16 Halogen Lamp choices
Finish	See pages 406-407 for Finish choices
Accessory	10/Spread Lens 11/Honeycomb Baffle 12/Soft Focus Lens 13/Rectilinear Lens <i>(Select up to 2. Requires Accessory Holder)</i>
Option	AH/Accessory Holder DG/Dome Glass Lens <i>(Replaces Flat Glass. Not Driveover Rated)</i> GM-R/Round Grout Mask GM-S/Square Grout Mask GS/Glare Shield* HD/Half Dome* ICEE/ICEE™ Lens <i>(See pages 286-287 for details)</i> RG/Rock Guard* RO/Rock Guard with Optical Opening* <i>* Furnished in copper free aluminum. Finish to Match Faceplate. Dome lens included.</i>

REMOTE SHALLOW HP2™

HP2-MR



MR16 Halogen

Material	__ Aluminum B/Brass S/Stainless Steel
Faceplate	HP2/Flush
OptiLock®	MR/MR16 Halogen 1:∞
Housing	RS/Remote Shallow Housing <i>(Requires Remote Transformer)</i>
Lamp Type	See page 387 for MR16 Halogen Lamp choices
Finish	See pages 406-407 for Finish choices
Accessory	10/Spread Lens 11/Honeycomb Baffle 12/Soft Focus Lens 13/Rectilinear Lens <i>(Select up to 2. Requires Accessory Holder)</i>
Option	AH/Accessory Holder DG/Dome Glass Lens <i>(Replaces Flat Glass. Not Driveover Rated)</i> GM-R/Round Grout Mask GM-S/Square Grout Mask GS/Glare Shield* HD/Half Dome* ICEE/ICEE™ Lens <i>(See pages 286-287 for details)</i> RG/Rock Guard* RO/Rock Guard with Optical Opening* <i>* Furnished in copper free aluminum. Finish to Match Faceplate. Dome lens included.</i>

REMOTE DEEP CO2™

CO2-MR



MR16 Halogen

Material	__ Aluminum B/Brass S/Stainless Steel
Faceplate	CO2/Flange
OptiLock®	MR/MR16 Halogen 1:∞
Housing	RD/Remote Deep Housing <i>(Requires Remote Transformer)</i>
Lamp Type	See page 387 for MR16 Halogen Lamp choices
Finish	See pages 406-407 for Finish choices
Accessory	10/Spread Lens 11/Honeycomb Baffle 12/Soft Focus Lens 13/Rectilinear Lens <i>(Select up to 2. Requires Accessory Holder)</i>
Option	AH/Accessory Holder DG/Dome Glass Lens <i>(Replaces Flat Glass. Not Driveover Rated)</i> GM-R/Round Grout Mask GM-S/Square Grout Mask

REMOTE SHALLOW CO2™

CO2-MR



MR16 Halogen

Material	__ Aluminum B/Brass S/Stainless Steel
Faceplate	CO2/Flange
OptiLock®	MR/MR16 Halogen 1:∞
Housing	RS/Remote Shallow Housing <i>(Requires Remote Transformer)</i>
Lamp Type	See page 387 for MR16 Halogen Lamp choices
Finish	See pages 406-407 for Finish choices
Accessory	10/Spread Lens 11/Honeycomb Baffle 12/Soft Focus Lens 13/Rectilinear Lens <i>(Select up to 2. Requires Accessory Holder)</i>
Option	AH/Accessory Holder DG/Dome Glass Lens <i>(Replaces Flat Glass. Not Driveover Rated)</i> GM-R/Round Grout Mask GM-S/Square Grout Mask

INTEGRAL
OFFSET
HP2™

HP2-OS



MR16 Halogen

Material		__ Aluminum	B/Brass	S/Stainless Steel
Faceplate		HP2/Flush		
Style		OS/Offset Lens		
OptiLock®		MR/MR16 Halogen		
Housing		TR/Integral Transformer		
Lamp Type		See page 387 for MR16 Halogen Lamp choices		
Finish		See pages 406-407 for Finish choices		
Accessory		10/Spread Lens 11/Honeycomb Baffle 12/Soft Focus Lens 13/Rectilinear Lens <i>(Select up to 2. Requires Accessory Holder)</i>		
Input Voltage		120/120 VAC Input 277/277 VAC Input		
Option		AH/Accessory Holder DG/Dome Glass Lens <i>(Replaces Flat Glass. Not Driveover Rated)</i> GM-R/Round Grout Mask GM-S/Square Grout Mask		

REMOTE DEEP
OFFSET
HP2™

HP2-OS



MR16 Halogen

Material		__ Aluminum	B/Brass	S/Stainless Steel
Faceplate		HP2/Flush		
Style		OS/Offset Lens		
OptiLock®		MR/MR16 Halogen	1:∞	
Housing		RD/Remote Deep Housing <i>(Requires Remote Transformer)</i>		
Lamp Type		See page 387 for MR16 Halogen Lamp choices		
Finish		See pages 406-407 for Finish choices		
Accessory		10/Spread Lens 11/Honeycomb Baffle 12/Soft Focus Lens 13/Rectilinear Lens <i>(Select up to 2. Requires Accessory Holder)</i>		
Option		AH/Accessory Holder DG/Dome Glass Lens <i>(Replaces Flat Glass. Not Driveover Rated)</i> GM-R/Round Grout Mask GM-S/Square Grout Mask		

INTEGRAL
OFFSET
CO2™

CO2-OS



MR16 Halogen

Material		__ Aluminum	B/Brass	S/Stainless Steel
Faceplate		CO2/Flange		
Style		OS/Offset Lens		
OptiLock®		MR/MR16 Halogen		
Housing		TR/Integral Transformer		
Lamp Type		See page 387 for MR16 Halogen Lamp choices		
Finish		See pages 406-407 for Finish choices		
Accessory		10/Spread Lens 11/Honeycomb Baffle 12/Soft Focus Lens 13/Rectilinear Lens <i>(Select up to 2. Requires Accessory Holder)</i>		
Input Voltage		120/120 VAC Input 277/277 VAC Input		
Option		AH/Accessory Holder DG/Dome Glass Lens <i>(Replaces Flat Glass. Not Driveover Rated)</i> GM-R/Round Grout Mask GM-S/Square Grout Mask		

REMOTE DEEP
OFFSET
CO2™

CO2-OS



MR16 Halogen

Material		__ Aluminum	B/Brass	S/Stainless Steel
Faceplate		CO2/Flange		
Style		OS/Offset Lens		
OptiLock®		MR/MR16 Halogen	1:∞	
Housing		RD/Remote Deep Housing <i>(Requires Remote Transformer)</i>		
Lamp Type		See page 387 for MR16 Halogen Lamp choices		
Finish		See pages 406-407 for Finish choices		
Accessory		10/Spread Lens 11/Honeycomb Baffle 12/Soft Focus Lens 13/Rectilinear Lens <i>(Select up to 2. Requires Accessory Holder)</i>		
Option		AH/Accessory Holder DG/Dome Glass Lens <i>(Replaces Flat Glass. Not Driveover Rated)</i> GM-R/Round Grout Mask GM-S/Square Grout Mask		

INTEGRAL HP2™

HP2-AR



PAR36 Halogen



AR111 Halogen

Material	__ Aluminum B/Brass S/Stainless Steel
Faceplate	HP2/Flush
OptiLock®	AR/PAR36 or AR111 Halogen
Housing	TR/Integral Transformer
Lamp Type	See page 388 for PAR36 Halogen Lamp choices See pages 389-390 for AR111 Halogen Lamp choices
Finish	See pages 406-407 for Finish choices
Accessory	10/Spread Lens 11/Honeycomb Baffle 12/Soft Focus Lens 13/Rectilinear Lens <i>(Select up to 2. Requires Accessory Holder)</i>
Input Voltage	120/120 VAC Input 277/277 VAC Input
Option	AH/Accessory Holder DG/Dome Glass Lens <i>(Replaces Flat Glass. Not Driveover Rated)</i> GM-R/Round Grout Mask GM-S/Square Grout Mask GS/Glare Shield* HD/Half Dome* ICEE/ICEE™ Lens <i>(See pages 286-287 for details)</i> RG/Rock Guard* RO/Rock Guard with Optical Opening* TC/Traction Control Lens <i>(Replaces Flat Glass)</i> <i>* Furnished in copper free aluminum. Finish to Match Faceplate. Dome lens included.</i>

REMOTE DEEP HP2™

HP2-AR



PAR36 Halogen



AR111 Halogen

Material	__ Aluminum B/Brass S/Stainless Steel
Faceplate	HP2/Flush
OptiLock®	AR/PAR36 or AR111 Halogen 1:∞
Housing	RD/Remote Deep Housing <i>(Requires Remote Transformer)</i>
Lamp Type	See page 388 for PAR36 Halogen Lamp choices See pages 389-390 for AR111 Halogen Lamp choices
Finish	See pages 406-407 for Finish choices
Accessory	10/Spread Lens 11/Honeycomb Baffle 12/Soft Focus Lens 13/Rectilinear Lens <i>(Select up to 2. Requires Accessory Holder)</i>
Option	AH/Accessory Holder DG/Dome Glass Lens <i>(Replaces Flat Glass. Not Driveover Rated)</i> GM-R/Round Grout Mask GM-S/Square Grout Mask GS/Glare Shield* HD/Half Dome* ICEE/ICEE™ Lens <i>(See pages 286-287 for details)</i> RG/Rock Guard* RO/Rock Guard with Optical Opening* TC/Traction Control Lens <i>(Replaces Flat Glass)</i> <i>* Furnished in copper free aluminum. Finish to Match Faceplate. Dome lens included.</i>

INTEGRAL CO2™

CO2-AR



PAR36 Halogen



AR111 Halogen

Material	__ Aluminum B/Brass S/Stainless Steel
Faceplate	CO2/Flange
OptiLock®	AR/PAR36 or AR111 Halogen
Housing	TR/Integral Transformer
Lamp Type	See page 388 for PAR36 Halogen Lamp choices See pages 389-390 for AR111 Halogen Lamp choices
Finish	See pages 406-407 for Finish choices
Accessory	10/Spread Lens 11/Honeycomb Baffle 12/Soft Focus Lens 13/Rectilinear Lens <i>(Select up to 2. Requires Accessory Holder)</i>
Input Voltage	120/120 VAC Input 277/277 VAC Input
Option	AH/Accessory Holder DG/Dome Glass Lens <i>(Replaces Flat Glass. Not Driveover Rated)</i> GM-R/Round Grout Mask GM-S/Square Grout Mask TC/Traction Control Lens <i>(Replaces Flat Glass)</i>

REMOTE DEEP CO2™

CO2-AR



PAR36 Halogen



AR111 Halogen

Material	__ Aluminum B/Brass S/Stainless Steel
Faceplate	CO2/Flange
OptiLock®	AR/PAR36 or AR111 Halogen 1:∞
Housing	RD/Remote Deep Housing <i>(Requires Remote Transformer)</i>
Lamp Type	See page 388 for PAR36 Halogen Lamp choices See pages 389-390 for AR111 Halogen Lamp choices
Finish	See pages 406-407 for Finish choices
Accessory	10/Spread Lens 11/Honeycomb Baffle 12/Soft Focus Lens 13/Rectilinear Lens <i>(Select up to 2. Requires Accessory Holder)</i>
Option	AH/Accessory Holder DG/Dome Glass Lens <i>(Replaces Flat Glass. Not Driveover Rated)</i> GM-R/Round Grout Mask GM-S/Square Grout Mask TC/Traction Control Lens <i>(Replaces Flat Glass)</i>

REMOTE SHALLOW HP2™

HP2-AR



PAR36 Halogen



AR111 Halogen

Material		__ Aluminum	B/Brass	S/Stainless Steel
Faceplate		HP2/Flush		
OptiLock®		AR/PAR36 or AR111 Halogen		
Housing		RS/Remote Shallow Housing <i>(Requires Remote Transformer)</i>		
Lamp Type		See page 388 for PAR36 Halogen Lamp choices See pages 389-390 for AR111 Halogen Lamp choices		
Finish		See pages 406-407 for Finish choices		
Accessory		10/Spread Lens 11/Honeycomb Baffle 12/Soft Focus Lens 13/Rectilinear Lens <i>(Select up to 2. Requires Accessory Holder)</i>		
Option		AH/Accessory Holder DG/Dome Glass Lens <i>(Replaces Flat Glass. Not Driveover Rated)</i> GM-R/Round Grout Mask GM-S/Square Grout Mask GS/Glare Shield* HD/Half Dome* ICEE/ICEE™ Lens (See pages 286-287 for details) RG/Rock Guard* RO/Rock Guard with Optical Opening* TC/Traction Control Lens <i>(Replaces Flat Glass)</i> <i>* Furnished in copper free aluminum. Finish to Match Faceplate. Dome lens included.</i>		

DEEP HOUSING HP2™

HP2-GU



GU10 Line Voltage

Material		__ Aluminum	B/Brass	S/Stainless Steel
Faceplate		HP2/Flush		
OptiLock®		GU/GU10 Line Voltage		
Lamp Type		See page 392 for GU10 Line Voltage Lamp choices		
Finish		See pages 406-407 for Finish choices		
Accessory		10/Spread Lens 11/Honeycomb Baffle 12/Soft Focus Lens 13/Rectilinear Lens <i>(Select up to 2. Requires Accessory Holder)</i>		
Option		AH/Accessory Holder DG/Dome Glass Lens <i>(Replaces Flat Glass. Not Driveover Rated)</i> GM-R/Round Grout Mask GM-S/Square Grout Mask GS/Glare Shield* HD/Half Dome* ICEE/ICEE™ Lens (See pages 286-287 for details) RG/Rock Guard* RO/Rock Guard with Optical Opening* <i>* Furnished in copper free aluminum. Finish to Match Faceplate. Dome lens included.</i>		

REMOTE SHALLOW CO2™

CO2-AR



PAR36 Halogen



AR111 Halogen

Material		__ Aluminum	B/Brass	S/Stainless Steel
Faceplate		CO2/Flange		
OptiLock®		AR/PAR36 or AR111 Halogen		
Housing		RS/Remote Shallow Housing <i>(Requires Remote Transformer)</i>		
Lamp Type		See page 388 for PAR36 Halogen Lamp choices See pages 389-390 for AR111 Halogen Lamp choices		
Finish		See pages 406-407 for Finish choices		
Accessory		10/Spread Lens 11/Honeycomb Baffle 12/Soft Focus Lens 13/Rectilinear Lens <i>(Select up to 2. Requires Accessory Holder)</i>		
Option		AH/Accessory Holder DG/Dome Glass Lens <i>(Replaces Flat Glass. Not Driveover Rated)</i> GM-R/Round Grout Mask GM-S/Square Grout Mask TC/Traction Control Lens <i>(Replaces Flat Glass)</i>		

DEEP HOUSING CO2™

CO2-GU



GU10 Line Voltage

Material		__ Aluminum	B/Brass	S/Stainless Steel
Faceplate		CO2/Flange		
OptiLock®		GU/GU10 Line Voltage		
Lamp Type		See page 392 for GU10 Line Voltage Lamp choices		
Finish		See pages 406-407 for Finish choices		
Accessory		10/Spread Lens 11/Honeycomb Baffle 12/Soft Focus Lens 13/Rectilinear Lens <i>(Select up to 2. Requires Accessory Holder)</i>		
Option		AH/Accessory Holder DG/Dome Glass Lens <i>(Replaces Flat Glass. Not Driveover Rated)</i> GM-R/Round Grout Mask GM-S/Square Grout Mask		

DEEP HOUSING
OFFSET
HP2™

HP2-OS



GU10 Line Voltage

Material		__ Aluminum	B/Brass	S/Stainless Steel
Faceplate		HP2/Flush		
Style		OS/Offset Lens		
OptiLock®		GU/GU10 Line Voltage		
Lamp Type		See page 392 for GU10 Line Voltage Lamp choices		
Finish		See pages 406-407 for Finish choices		
Accessory		10/Spread Lens 11/Honeycomb Baffle 12/Soft Focus Lens 13/Rectilinear Lens <i>(Select up to 2. Requires Accessory Holder)</i>		
Option		AH/Accessory Holder <i>(Accommodates up to 2 media)</i> DG/Dome Glass Lens <i>(Replaces Flat Glass. Not Driveover Rated)</i> GM-R/Round Grout Mask GM-S/Square Grout Mask		

DEEP HOUSING
HP2™

HP2-PAR



PAR20 Halogen



PAR30 Halogen

Material		__ Aluminum	B/Brass	S/Stainless Steel
Faceplate		HP2/Flush		
OptiLock®		PAR20/PAR20 Halogen PAR30/PAR30 Halogen		
Lamp Type		See page 393 for PAR20 Halogen Lamp choices See page 394 for PAR30 Halogen Lamp choices		
Finish		See pages 406-407 for Finish choices		
Accessory		10/Spread Lens 11/Honeycomb Baffle 12/Soft Focus Lens 13/Rectilinear Lens <i>(Select up to 2. Requires Accessory Holder)</i>		
Option		AH/Accessory Holder DG/Dome Glass Lens <i>(Replaces Flat Glass. Not Driveover Rated)</i> GM-R/Round Grout Mask GM-S/Square Grout Mask GS/Glare Shield* HD/Half Dome* ICEE/ICEE™ Lens <i>(See pages 286-287 for details)</i> RG/Rock Guard* RO/Rock Guard with Optical Opening* TC/Traction Control Lens <i>(Replaces Flat Glass)</i> <i>* Furnished in copper free aluminum. Finish to Match Faceplate. Dome lens included.</i>		

DEEP HOUSING
OFFSET
CO2™

CO2-OS



GU10 Line Voltage

Material		__ Aluminum	B/Brass	S/Stainless Steel
Faceplate		CO2/Flange		
Style		OS/Offset Lens		
OptiLock®		GU/GU10 Line Voltage		
Lamp Type		See page 392 for GU10 Line Voltage Lamp choices		
Finish		See pages 406-407 for Finish choices		
Accessory		10/Spread Lens 11/Honeycomb Baffle 12/Soft Focus Lens 13/Rectilinear Lens <i>(Select up to 2. Requires Accessory Holder)</i>		
Option		AH/Accessory Holder <i>(Accommodates up to 2 media)</i> DG/Dome Glass Lens <i>(Replaces Flat Glass. Not Driveover Rated)</i> GM-R/Round Grout Mask GM-S/Square Grout Mask		

DEEP HOUSING
CO2™

CO2-PAR



PAR20 Halogen



PAR30 Halogen

Material		__ Aluminum	B/Brass	S/Stainless Steel
Faceplate		CO2/Flange		
OptiLock®		PAR20/PAR20 Halogen PAR30/PAR30 Halogen		
Lamp Type		See page 393 for PAR20 Halogen Lamp choices See page 394 for PAR30 Halogen Lamp choices		
Finish		See pages 406-407 for Finish choices		
Accessory		10/Spread Lens 11/Honeycomb Baffle 12/Soft Focus Lens 13/Rectilinear Lens <i>(Select up to 2. Requires Accessory Holder)</i>		
Option		AH/Accessory Holder DG/Dome Glass Lens <i>(Replaces Flat Glass. Not Driveover Rated)</i> GM-R/Round Grout Mask GM-S/Square Grout Mask TC/Traction Control Lens <i>(Replaces Flat Glass)</i>		

INTEGRAL HP2™

HP2-CF



Compact Fluorescent

Material	__ Aluminum B/Brass S/Stainless Steel
Faceplate	HP2/Flush
OptiLock®	CF18/Compact Fluorescent (18W) CF26/Compact Fluorescent (26W) CF32/Compact Fluorescent (32W) CF42/Compact Fluorescent (42W)
Housing	TR/Integral Ballast
Lamp Type	See page 403 for Compact Fluorescent Lamp choices
Finish	See pages 406-407 for Finish choices
Accessory	10/Spread Lens 11/Honeycomb Baffle 12/Soft Focus Lens <i>(Select up to 2. Requires Accessory Holder)</i> <i>(Accessory not available with ICEE™ lens option)</i>
Input Voltage	120/120 VAC Input 277/277 VAC Input
Option	AH/Accessory Holder DG/Dome Glass Lens <i>(Replaces Flat Glass. Not Driveover Rated)</i> GM-R/Round Grout Mask GM-S/Square Grout Mask GS/Glare Shield* HD/Half Dome* ICEE/ICEE™ Lenses <i>(See pages 286-287 for details)</i> <i>(Accessory not available with ICEE™ lens option)</i> RG/Rock Guard* RO/Rock Guard with Optical Opening* TC/Traction Control Lens <i>(Replaces Flat Glass)</i> <i>*Furnished in copper free aluminum. Finish to Match Faceplate. Dome lens included.</i>

INTEGRAL HP2™

HP2-ES16



ES16 Metal Halide

Material	__ Aluminum B/Brass S/Stainless Steel
Faceplate	HP2/Flush
OptiLock®	ES20/ES16 Metal Halide (20W) ES35/ES16 Metal Halide (35W)
Housing	TR/Integral Ballast
Lamp Type	See page 400 for ES16 Metal Halide Lamp choices
Finish	See pages 406-407 for Finish choices
Accessory	10/Spread Lens 11/Honeycomb Baffle 12/Soft Focus Lens 13/Rectilinear Lens <i>(Select up to 2. Requires Accessory Holder)</i>
Input Voltage	120/120 VAC Input 277/277 VAC Input
Option	AH/Accessory Holder DG/Dome Glass Lens <i>(Replaces Flat Glass. Not Driveover Rated)</i> GM-R/Round Grout Mask GM-S/Square Grout Mask GS/Glare Shield* HD/Half Dome* ICEE/ICEE™ Lenses <i>(See pages 286-287 for details)</i> RG/Rock Guard* RO/Rock Guard with Optical Opening* TC/Traction Control Lens <i>(Replaces Flat Glass)</i> <i>*Furnished in copper free aluminum. Finish to Match Faceplate. Dome lens included.</i>

INTEGRAL CO2™

CO2-CF



Compact Fluorescent

Material	__ Aluminum B/Brass S/Stainless Steel
Faceplate	CO2/Flange
OptiLock®	CF18/Compact Fluorescent (18W) CF26/Compact Fluorescent (26W) CF32/Compact Fluorescent (32W) CF42/Compact Fluorescent (42W)
Housing	TR/Integral Ballast
Lamp Type	See page 403 for Compact Fluorescent Lamp choices
Finish	See pages 406-407 for Finish choices
Accessory	10/Spread Lens 11/Honeycomb Baffle 12/Soft Focus Lens <i>(Select up to 2. Requires Accessory Holder)</i>
Input Voltage	120/120 VAC Input 277/277 VAC Input
Option	AH/Accessory Holder DG/Dome Glass Lens <i>(Replaces Flat Glass. Not Driveover Rated)</i> GM-R/Round Grout Mask GM-S/Square Grout Mask TC/Traction Control Lens <i>(Replaces Flat Glass)</i>

INTEGRAL CO2™

CO2-ES16



ES16 Metal Halide

Material	__ Aluminum B/Brass S/Stainless Steel
Faceplate	CO2/Flange
OptiLock®	ES20/ES16 Metal Halide (20W) ES35/ES16 Metal Halide (35W)
Housing	TR/Integral Ballast
Lamp Type	See page 400 for ES16 Metal Halide Lamp choices
Finish	See pages 406-407 for Finish choices
Accessory	10/Spread Lens 11/Honeycomb Baffle 12/Soft Focus Lens 13/Rectilinear Lens <i>(Select up to 2. Requires Accessory Holder)</i>
Input Voltage	120/120 VAC Input 277/277 VAC Input
Option	AH/Accessory Holder DG/Dome Glass Lens <i>(Replaces Flat Glass. Not Driveover Rated)</i> GM-R/Round Grout Mask GM-S/Square Grout Mask

REMOTE DEEP HP2™

HP2-ES16



ES16 Metal Halide

Material	__ Aluminum B/Brass S/Stainless Steel
Faceplate	HP2/Flush
OptiLock®	ES35/ES16 Metal Halide (35W) 1:1
Housing	RD/Remote Deep Housing <i>(Requires Remote Ballast)</i>
Lamp Type	See page 400 for ES16 Metal Halide Lamp choices
Finish	See pages 406-407 for Finish choices
Accessory	10/Spread Lens 11/Honeycomb Baffle 12/Soft Focus Lens 13/Rectilinear Lens <i>(Select up to 2. Requires Accessory Holder)</i>
Option	AH/Accessory Holder DG/Dome Glass Lens <i>(Replaces Flat Glass. Not Driveover Rated)</i> GM-R/Round Grout Mask GM-S/Square Grout Mask GS/Glare Shield* HD/Half Dome* ICEE/ICEE™ Lens (See pages 286-287 for details) RG/Rock Guard* RO/Rock Guard with Optical Opening* <i>* Furnished in copper free aluminum. Finish to Match Faceplate. Dome lens included.</i>
Ballast Housing	Requires Remote Ballast See pages 371-374 for Ballast choices

INTEGRAL OFFSET HP2™

HP2-OS



ES16 Metal Halide

Material	__ Aluminum B/Brass S/Stainless Steel
Faceplate	HP2/Flush
Style	OS/Offset Lens
OptiLock®	ES20/ES16 Metal Halide (20W) ES35/ES16 Metal Halide (35W)
Housing	TR/Integral Ballast
Lamp Type	See page 400 for ES16 Metal Halide Lamp choices
Finish	See pages 406-407 for Finish choices
Accessory	10/Spread Lens 11/Honeycomb Baffle 12/Soft Focus Lens 13/Rectilinear Lens <i>(Select up to 2. Requires Accessory Holder)</i>
Input Voltage	120/120 VAC Input 277/277 VAC Input
Option	AH/Accessory Holder <i>(Accommodates up to 2 Media)</i> DG/Dome Glass Lens <i>(Replaces Flat Glass. Not Driveover Rated)</i> GM-R/Round Grout Mask GM-S/Square Grout Mask

REMOTE DEEP CO2™

CO2-ES16



ES16 Metal Halide

Material	__ Aluminum B/Brass S/Stainless Steel
Faceplate	CO2/Flange
OptiLock®	ES35/ES16 Metal Halide (35W) 1:1
Housing	RD/Remote Deep Housing <i>(Requires Remote Ballast)</i>
Lamp Type	See page 400 for ES16 Metal Halide Lamp choices
Finish	See pages 406-407 for Finish choices
Accessory	10/Spread Lens 11/Honeycomb Baffle 12/Soft Focus Lens 13/Rectilinear Lens <i>(Select up to 2. Requires Accessory Holder)</i>
Option	AH/Accessory Holder DG/Dome Glass Lens <i>(Replaces Flat Glass. Not Driveover Rated)</i> GM-R/Round Grout Mask GM-S/Square Grout Mask
Ballast Housing	Requires Remote Ballast See pages 371-374 for Ballast choices

INTEGRAL OFFSET CO2™

CO2-OS



ES16 Metal Halide

Material	__ Aluminum B/Brass S/Stainless Steel
Faceplate	CO2/Flange
Style	OS/Offset Lens
OptiLock®	ES20/ES16 Metal Halide (20W) ES35/ES16 Metal Halide (35W)
Housing	TR/Integral Ballast
Lamp Type	See page 400 for ES16 Metal Halide Lamp choices
Finish	See pages 406-407 for Finish choices
Accessory	10/Spread Lens 11/Honeycomb Baffle 12/Soft Focus Lens 13/Rectilinear Lens <i>(Select up to 2. Requires Accessory Holder)</i>
Input Voltage	120/120 VAC Input 277/277 VAC Input
Option	AH/Accessory Holder <i>(Accommodates up to 2 Media)</i> DG/Dome Glass Lens <i>(Replaces Flat Glass. Not Driveover Rated)</i> GM-R/Round Grout Mask GM-S/Square Grout Mask

REMOTE DEEP
OFFSET
HP2™

HP2-OS



ES16 Metal Halide

Material	__ Aluminum B/Brass S/Stainless Steel
Faceplate	HP2/Flush
Style	OS/Offset Lens
OptiLock®	ES35/ES16 Metal Halide (35W) 1:1
Housing	RD/Remote Deep Housing <i>(Requires Remote Ballast)</i>
Lamp Type	See page 400 for ES16 Metal Halide Lamp choices
Finish	See pages 406-407 for Finish choices
Accessory	10/Spread Lens 11/Honeycomb Baffle 12/Soft Focus Lens 13/Rectilinear Lens <i>(Select up to 2. Requires Accessory Holder)</i>
Option	AH/Accessory Holder <i>(Accommodates up to 2 Media)</i> DG/Dome Glass Lens <i>(Replaces Flat Glass. Not Driveover Rated)</i> GM-R/Round Grout Mask GM-S/Square Grout Mask
Ballast Housing	Requires Remote Ballast See pages 371-374 for Ballast choices

REMOTE DEEP
OFFSET
CO2™

CO2-OS



ES16 Metal Halide

Material	__ Aluminum B/Brass S/Stainless Steel
Faceplate	CO2/Flange
Style	OS/Offset Lens
OptiLock®	ES35/ES16 Metal Halide (35W) 1:1
Housing	RD/Remote Deep Housing <i>(Requires Remote Ballast)</i>
Lamp Type	See page 400 for ES16 Metal Halide Lamp choices
Finish	See pages 406-407 for Finish choices
Accessory	10/Spread Lens 11/Honeycomb Baffle 12/Soft Focus Lens 13/Rectilinear Lens <i>(Select up to 2. Requires Accessory Holder)</i>
Option	AH/Accessory Holder <i>(Accommodates up to 2 Media)</i> DG/Dome Glass Lens <i>(Replaces Flat Glass. Not Driveover Rated)</i> GM-R/Round Grout Mask GM-S/Square Grout Mask
Ballast Housing	Requires Remote Ballast See pages 371-374 for Ballast choices

INTEGRAL
HP2™

HP2-PAR



PAR20 Metal Halide



PAR30 Metal Halide

Material	__ Aluminum B/Brass S/Stainless Steel
Faceplate	HP2/Flush
OptiLock®	PAR2020/PAR20 Metal Halide (20W) PAR2035/PAR2035 Metal Halide (35W) PAR3035/PAR3035 Metal Halide (35W)
Housing	TR/Integral Ballast
Lamp Type	See page 396 for PAR20 Metal Halide Lamp choices See page 397 for PAR30 Metal Halide Lamp choices
Finish	See pages 406-407 for Finish choices
Accessory	10/Spread Lens 11/Honeycomb Baffle 12/Soft Focus Lens 13/Rectilinear Lens <i>(Select up to 2. Requires Accessory Holder)</i>
Input Voltage	120/120 VAC Input 277/277 VAC Input
Option	AH/Accessory Holder DG/Dome Glass Lens <i>(Replaces Flat Glass. Not Driveover Rated)</i> GM-R/Round Grout Mask GM-S/Square Grout Mask GS/Glare Shield* HD/Half Dome* ICEE/CEE™ Lens <i>(See pages 286-287 for details)</i> RG/Rock Guard* RO/Rock Guard with Optical Opening* TC/Traction Control Lens <i>(Replaces Flat Glass)</i>

*Furnished in copper free aluminum. Finish to Match Faceplate. Dome lens included.

INTEGRAL
CO2™

CO2-PAR



PAR20 Metal Halide



PAR30 Metal Halide

Material	__ Aluminum B/Brass S/Stainless Steel
Faceplate	CO2/Flange
OptiLock®	PAR2020/PAR20 Metal Halide (20W) PAR2035/PAR2035 Metal Halide (35W) PAR3035/PAR3035 Metal Halide (35W)
Housing	TR/Integral Ballast
Lamp Type	See page 396 for PAR20 Metal Halide Lamp choices See page 397 for PAR30 Metal Halide Lamp choices
Finish	See pages 406-407 for Finish choices
Accessory	10/Spread Lens 11/Honeycomb Baffle 12/Soft Focus Lens 13/Rectilinear Lens <i>(Select up to 2. Requires Accessory Holder)</i>
Input Voltage	120/120 VAC Input 277/277 VAC Input
Option	AH/Accessory Holder DG/Dome Glass Lens <i>(Replaces Flat Glass. Not Driveover Rated)</i> GM-R/Round Grout Mask GM-S/Square Grout Mask TC/Traction Control Lens <i>(Replaces Flat Glass)</i>

REMOTE DEEP HP2™

HP2-PAR



Material	__ Aluminum B/Brass S/Stainless Steel
Faceplate	HP2/Flush
OptiLock®	PAR2035/PAR20 Metal Halide (35W) PAR3035/PAR30 Metal Halide (35W) PAR3070/PAR30 Metal Halide (70W)
Housing	RD/Remote Deep Housing 1:1 <i>(Requires Remote Ballast)</i>
Lamp Type	See page 396 for PAR20 Metal Halide Lamp choices See page 397 for PAR30 Metal Halide Lamp choices
Finish	See pages 406-407 for Finish choices
Accessory	10/Spread Lens 11/Honeycomb Baffle 12/Soft Focus Lens 13/Rectilinear Lens <i>(Select up to 2. Requires Accessory Holder)</i>
Option	AH/Accessory Holder DG/Dome Glass Lens <i>(Replaces Flat Glass. Not Driveover Rated)</i> GM-R/Round Grout Mask GM-S/Square Grout Mask GS/Glare Shield* HD/Half Dome* ICEE/ICEE™ Lens <i>(See pages 286-287 for details)</i> RG/Rock Guard* RO/Rock Guard with Optical Opening* TC/Traction Control Lens <i>(Replaces Flat Glass)</i> <i>* Furnished in copper free aluminum. Finish to Match Faceplate. Dome lens included.</i>
Ballast Housing	Requires Remote Ballast See pages 371-374 for Ballast choices

REMOTE DEEP CO2™

CO2-PAR



Material	__ Aluminum B/Brass S/Stainless Steel
Faceplate	CO2/Flange
OptiLock®	PAR2035/PAR20 Metal Halide (35W) PAR3035/PAR30 Metal Halide (35W) PAR3070/PAR30 Metal Halide (70W)
Housing	RD/Remote Deep Housing 1:1 <i>(Requires Remote Ballast)</i>
Lamp Type	See page 396 for PAR20 Metal Halide Lamp choices See page 397 for PAR30 Metal Halide Lamp choices
Finish	See pages 406-407 for Finish choices
Accessory	10/Spread Lens 11/Honeycomb Baffle 12/Soft Focus Lens 13/Rectilinear Lens <i>(Select up to 2. Requires Accessory Holder)</i>
Option	AH/Accessory Holder DG/Dome Glass Lens <i>(Replaces Flat Glass. Not Driveover Rated)</i> GM-R/Round Grout Mask GM-S/Square Grout Mask TC/Traction Control Lens <i>(Replaces Flat Glass)</i>
Ballast Housing	Requires Remote Ballast See pages 371-374 for Ballast choices

INTEGRAL HP2™

HP2-T6



Material	__ Aluminum B/Brass S/Stainless Steel
Faceplate	HP2/Flush
OptiLock®	T4520/T4.5 Metal Halide (20W) T4535/T4.5 Metal Halide (35W) T635/T6 Metal Halide (35W)
Reflector	SP/Spot MS/Medium Spot FL/ Flood
Housing	TR/Integral Ballast
Lamp Type	See page 402 for T4.5 Metal Halide Lamp choices See page 402 for T6 Metal Halide Lamp choices
Finish	See pages 406-407 for Finish choices
Accessory	10/Spread Lens 11/Honeycomb Baffle 12/Soft Focus Lens 13/Rectilinear Lens <i>(Select up to 2. Requires Accessory Holder)</i>
Input Voltage	120/120 VAC Input 277/277 VAC Input
Option	AH/Accessory Holder DG/Dome Glass Lens <i>(Replaces Flat Glass. Not Driveover Rated)</i> GM-R/Round Grout Mask GM-S/Square Grout Mask GS/Glare Shield* HD/Half Dome* RG/Rock Guard* RO/Rock Guard with Optical Opening* TC/Traction Control Lens <i>(Replaces Flat Glass)</i> <i>* Furnished in copper free aluminum. Finish to Match Faceplate. Dome lens included.</i>

INTEGRAL CO2™

CO2-T6



Material	__ Aluminum B/Brass S/Stainless Steel
Faceplate	CO2/Flange
OptiLock®	T4520/T4.5 Metal Halide (20W) T4535/T4.5 Metal Halide (35W) T635/T6 Metal Halide (35W)
Reflector	SP/Spot MS/Medium Spot FL/ Flood
Housing	TR/Integral Ballast
Lamp Type	See page 402 for T4.5 Metal Halide Lamp choices See page 402 for T6 Metal Halide Lamp choices
Finish	See pages 406-407 for Finish choices
Accessory	10/Spread Lens 11/Honeycomb Baffle 12/Soft Focus Lens 13/Rectilinear Lens <i>(Select up to 2. Requires Accessory Holder)</i>
Input Voltage	120/120 VAC Input 277/277 VAC Input
Option	AH/Accessory Holder DG/Dome Glass Lens <i>(Replaces Flat Glass. Not Driveover Rated)</i> GM-R/Round Grout Mask GM-S/Square Grout Mask TC/Traction Control Lens <i>(Replaces Flat Glass)</i>

REMOTE DEEP HP2™

HP2-T6



T6 Metal Halide

Material	__ Aluminum B/Brass S/Stainless Steel
Faceplate	HP2/Flush
OptiLock®	T635/T6 Metal Halide (35W) T670/T6 Metal Halide (70W)
Reflector	SP/Spot MS/Medium Spot FL/Flood
Housing	RD/Remote Deep Housing 1:1 <i>(Requires Remote Ballast)</i>
Lamp Type	See page 402 for T6 Metal Halide Lamp choices
Finish	See pages 406-407 for Finish choices
Accessory	10/Spread Lens 11/Honeycomb Baffle 12/Soft Focus Lens 13/Rectilinear Lens <i>(Select up to 2. Requires Accessory Holder)</i>
Option	AH/Accessory Holder DG/Dome Glass Lens <i>(Replaces Flat Glass. Not Driveover Rated)</i> GM-R/Round Grout Mask GM-S/Square Grout Mask GS/Glare Shield* HD/Half Dome* ICEE/ICEE™ Lens <i>(See pages 286-287 for details)</i> RG/Rock Guard* RO/Rock Guard with Optical Opening* TC/Traction Control Lens <i>(Replaces Flat Glass)</i> <i>* Furnished in copper free aluminum. Finish to Match Faceplate. Dome lens included.</i>
Ballast Housing	Requires Remote Ballast See pages 371-374 for Ballast choices

REMOTE DEEP HP2™

HP2-E17



E17 Metal Halide

Material	__ Aluminum B/Brass S/Stainless Steel
Faceplate	HP2/Flush
OptiLock®	EH50/E17 Metal Halide (50W) EH70/E17 Metal Halide (70W)
Reflector	SP/Spot MS/Medium Spot FL/Flood
Housing	RD/Remote Deep Housing 1:1 <i>(Requires Remote Ballast)</i>
Lamp Type	See page 403 for E17 Metal Halide Lamp choices
Finish	See pages 406-407 for Finish choices
Accessory	10/Spread Lens 11/Honeycomb Baffle 12/Soft Focus Lens 13/Rectilinear Lens <i>(Select up to 2. Requires Accessory Holder)</i>
Option	AH/Accessory Holder DG/Dome Glass Lens <i>(Replaces Flat Glass. Not Driveover Rated)</i> GM-R/Round Grout Mask GM-S/Square Grout Mask GS/Glare Shield* HD/Half Dome* ICEE/ICEE™ Lens <i>(See pages 286-287 for details)</i> RG/Rock Guard* RO/Rock Guard with Optical Opening* TC/Traction Control Lens <i>(Replaces Flat Glass)</i> <i>* Furnished in copper free aluminum. Finish to Match Faceplate. Dome lens included.</i>
Ballast Housing	Requires Remote Ballast See pages 371-374 for Ballast choices

REMOTE DEEP CO2™

CO2-T6



T6 Metal Halide

Material	__ Aluminum B/Brass S/Stainless Steel
Faceplate	CO2/Flange
OptiLock®	T635/T6 Metal Halide (35W) T670/T6 Metal Halide (70W)
Reflector	SP/Spot MS/Medium Spot FL/Flood
Housing	RD/Remote Deep Housing 1:1 <i>(Requires Remote Ballast)</i>
Lamp Type	See page 402 for T6 Metal Halide Lamp choices
Finish	See pages 406-407 for Finish choices
Accessory	10/Spread Lens 11/Honeycomb Baffle 12/Soft Focus Lens 13/Rectilinear Lens <i>(Select up to 2. Requires Accessory Holder)</i>
Option	AH/Accessory Holder DG/Dome Glass Lens <i>(Replaces Flat Glass. Not Driveover Rated)</i> GM-R/Round Grout Mask GM-S/Square Grout Mask TC/Traction Control Lens <i>(Replaces Flat Glass)</i>
Ballast Housing	Requires Remote Ballast See pages 371-374 for Ballast choices

REMOTE DEEP CO2™

CO2-E17



E17 Metal Halide

Material	__ Aluminum B/Brass S/Stainless Steel
Faceplate	CO2/Flange
OptiLock®	EH50/E17 Metal Halide (50W) EH70/E17 Metal Halide (70W)
Reflector	SP/Spot MS/Medium Spot FL/Flood
Housing	RD/Remote Deep Housing 1:1 <i>(Requires Remote Ballast)</i>
Lamp Type	See page 403 for E17 Metal Halide Lamp choices
Finish	See pages 406-407 for Finish choices
Accessory	10/Spread Lens 11/Honeycomb Baffle 12/Soft Focus Lens 13/Rectilinear Lens <i>(Select up to 2. Requires Accessory Holder)</i>
Option	AH/Accessory Holder DG/Dome Glass Lens <i>(Replaces Flat Glass. Not Driveover Rated)</i> GM-R/Round Grout Mask GM-S/Square Grout Mask TC/Traction Control Lens <i>(Replaces Flat Glass)</i>
Ballast Housing	Requires Remote Ballast See pages 371-374 for Ballast choices

INTEGRAL HP2™

HP2-CDM



CDM-R111 Metal Halide

Material	__ Aluminum B/Brass S/Stainless Steel
Faceplate	HP2/Flush
OptiLock®	AR20/CDM-R111 Metal Halide (20W) AR35/CDM-R111 Metal Halide (35W)
Housing	TR/Integral Ballast
Lamp Type	See page 401 for CDM-R111 Metal Halide Lamp choices
Finish	See pages 406-407 for Finish choices
Accessory	10/Spread Lens 11/Honeycomb Baffle 12/Soft Focus Lens 13/Rectilinear Lens <i>(Select up to 2. Requires Accessory Holder)</i>
Input Voltage	120/120 VAC Input 277/277 VAC Input
Option	AH/Accessory Holder DG/Dome Glass Lens <i>(Replaces Flat Glass. Not Driveover Rated)</i> GM-R/Round Grout Mask GM-S/Square Grout Mask GS/Glare Shield* HD/Half Dome* ICEE/ICEE™ Lenses (See pages 286-287 for details) RG/Rock Guard* RO/Rock Guard with Optical Opening* TC/Traction Control Lens <i>(Replaces Flat Glass)</i> <i>* Furnished in copper free aluminum. Finish to Match Faceplate. Dome lens included.</i>

REMOTE DEEP HP2™

HP2-CDM



CDM-R111 Metal Halide

Material	__ Aluminum B/Brass S/Stainless Steel
Faceplate	HP2/Flush
OptiLock®	AR35/CDM-R111 Metal Halide (35W) AR70/CDM-R111 Metal Halide (70W)
Housing	RD/Remote Deep Housing 1:1 <i>(Requires Remote Ballast)</i>
Lamp Type	See page 401 for CDM-R111 Metal Halide Lamp choices
Finish	See pages 406-407 for Finish choices
Accessory	10/Spread Lens 11/Honeycomb Baffle 12/Soft Focus Lens 13/Rectilinear Lens <i>(Select up to 2. Requires Accessory Holder)</i>
Option	AH/Accessory Holder DG/Dome Glass Lens <i>(Replaces Flat Glass. Not Driveover Rated)</i> GM-R/Round Grout Mask GM-S/Square Grout Mask GS/Glare Shield* HD/Half Dome* ICEE/ICEE™ Lenses (See pages 286-287 for details) RG/Rock Guard* RO/Rock Guard with Optical Opening* TC/Traction Control Lens <i>(Replaces Flat Glass)</i> <i>* Furnished in copper free aluminum. Finish to Match Faceplate. Dome lens included.</i>
Ballast Housing	Requires Remote Ballast See pages 371-374 for Ballast choices

INTEGRAL CO2™

HP2-CDM



CDM-R111 Metal Halide

Material	__ Aluminum B/Brass S/Stainless Steel
Faceplate	CO2/Flange
OptiLock®	AR20/CDM-R111 Metal Halide (20W) AR35/CDM-R111 Metal Halide (35W)
Housing	TR/Integral Ballast
Lamp Type	See page 401 for CDM-R111 Metal Halide Lamp choices
Finish	See pages 406-407 for Finish choices
Accessory	10/Spread Lens 11/Honeycomb Baffle 12/Soft Focus Lens 13/Rectilinear Lens <i>(Select up to 2. Requires Accessory Holder)</i>
Input Voltage	120/120 VAC Input 277/277 VAC Input
Option	AH/Accessory Holder DG/Dome Glass Lens <i>(Replaces Flat Glass. Not Driveover Rated)</i> GM-R/Round Grout Mask GM-S/Square Grout Mask TC/Traction Control Lens <i>(Replaces Flat Glass)</i>

REMOTE DEEP CO2™

CO2-CDM



CDM-R111 Metal Halide

Material	__ Aluminum B/Brass S/Stainless Steel
Faceplate	CO2/Flange
OptiLock®	AR35/CDM-R111 Metal Halide (35W) AR70/CDM-R111 Metal Halide (70W)
Housing	RD/Remote Deep Housing 1:1 <i>(Requires Remote Ballast)</i>
Lamp Type	See page 401 for CDM-R111 Metal Halide Lamp choices
Finish	See pages 406-407 for Finish choices
Accessory	10/Spread Lens 11/Honeycomb Baffle 12/Soft Focus Lens 13/Rectilinear Lens <i>(Select up to 2. Requires Accessory Holder)</i>
Option	AH/Accessory Holder DG/Dome Glass Lens <i>(Replaces Flat Glass. Not Driveover Rated)</i> GM-R/Round Grout Mask GM-S/Square Grout Mask TC/Traction Control Lens <i>(Replaces Flat Glass)</i>
Ballast Housing	Requires Remote Ballast See pages 371-374 for Ballast choices

ARTISTAR™ RECESSED UPLIGHT™



Material		__ Aluminum	B/Brass	S/Stainless Steel
Series		UL/Recessed Uplight		
Fixture		ArtiStar™		
Source		LED/e' Technology with Integral Dimming Driver		
		<small>Designed for use with a BKSSL® Transformer 25W min. load when dimmed. Requires magnetic Low Voltage dimmer.</small>		
LED Type		e36/8WLED/2.7K e22/8WLED/3K e23/8WLED/4K e27/8WLED/Amber		
		<small>See pages 381-384 for Adjust-e-Lume® Lamp Data information</small>		
Optics		NSP/Narrow Spot (14°) SP/Spot (18°) MFL/Medium Flood (25°) WFL/Wide Flood (36°)		
Adjust-e-Lume® Output Intensity		A9 (Standard), A8, A7, A6, A5, A4, A3, A2, A1		
		<small>Please see Adjust-e-Lume® photometry to determine desired intensity. (Choose factory setting)</small>		
Finish		See pages 406-407 for Finish choices		
Lens		12/Soft Focus Lens 13/Rectilinear Lens		
Shielding		11/Honeycomb Baffle		

MINI-MICRO™ RECESSED UPLIGHT™



Material		__ Aluminum	B/Brass	S/Stainless Steel
Series		UL/Recessed Uplight		
Fixture		Mini-Micro™		
Source		LED/e' Technology with Integral Driver		
		<small>Designed for use with a BKSSL® Transformer</small>		
LED Type		e38/3WLED/2.7K e10/3WLED/3K e11/3WLED/4K e15/3WLED/Amber		
		<small>See page 380 for Power of 'e' Lamp Data information</small>		
Optics		SP/Spot (16°) FL/Flood (33°)		
Finish		See pages 406-407 for Finish choices		
Lens		12/Soft Focus Lens 13/Rectilinear Lens		
Shielding		11/Honeycomb Baffle		

DENALI SERIES™ RECESSED UPLIGHT™



Material		__ Aluminum	B/Brass	S/Stainless Steel
Series		UL/Recessed Uplight		
Fixture		Denali Series™		
Source		LED/'X' Module with Cold Phosphor Technology		
LED Type		x30/18WLED/2.7K	x33/29WLED/2.7K	
		x31/18WLED/3K	x34/29WLED/3k	
		x32/18WLED/4K	x35/29WLED/4k	
		<small>See page 384 for Power of 'X' Lamp Data information</small>		
Optics		SP/Spot (20°) FL/Flood (40°) WFL/Wide Flood (60°)		
Finish		See pages 406-407 for Finish choices		
Lens		9/Clear Standard 10/Spread Lens 12/Soft Focus Lens 13/Rectilinear Lens		
Shielding		11/Honeycomb Baffle		
Driver Housing		Requires Remote Driver See pages 375-377 for Driver choices		

TY2™

TY2-LED



Power of 'X'
(BKSSL™)

Material	__ Aluminum B/Brass S/Stainless Steel												
Faceplate	TY2/Flush (Integral Concrete Pour Cover)												
OptiLock®	LED/'X' Technology with Chip on Board Construction												
LED Type	<table border="0"> <tr> <td>x43/31WLED/2.7K</td> <td>x49/52WLED/2.7K</td> </tr> <tr> <td>x44/31WLED/3K</td> <td>x50/52WLED/3K</td> </tr> <tr> <td>x45/31WLED/4K</td> <td>x51/52WLED/4K</td> </tr> <tr> <td>x46/42WLED/2.7K</td> <td></td> </tr> <tr> <td>x47/42WLED/3K</td> <td></td> </tr> <tr> <td>x48/42WLED/4K</td> <td></td> </tr> </table> <p><i>See page 385 for Power of 'X' Lamp Data information</i></p>	x43/31WLED/2.7K	x49/52WLED/2.7K	x44/31WLED/3K	x50/52WLED/3K	x45/31WLED/4K	x51/52WLED/4K	x46/42WLED/2.7K		x47/42WLED/3K		x48/42WLED/4K	
x43/31WLED/2.7K	x49/52WLED/2.7K												
x44/31WLED/3K	x50/52WLED/3K												
x45/31WLED/4K	x51/52WLED/4K												
x46/42WLED/2.7K													
x47/42WLED/3K													
x48/42WLED/4K													
Optics	<p>NSP/Narrow Spot (18°) <i>Only available for x43, x44 and x45</i></p> <p>NFL/Narrow Flood (25°)</p> <p>FL/Flood (40°)</p> <p>WFL/Wide Flood (60°)</p> <p>WW/Wall Wash <i>Only available for x43, x44 and x45</i></p>												
Finish	See pages 406-407 for Finish choices												
Accessory	<table border="0"> <tr> <td>10/Spread Lens</td> <td>12/Soft Focus Lens</td> </tr> <tr> <td>11/Honeycomb Baffle</td> <td>13/Rectilinear Lens</td> </tr> </table> <p><i>(Select up to 2. Requires Accessory Holder.)</i></p>	10/Spread Lens	12/Soft Focus Lens	11/Honeycomb Baffle	13/Rectilinear Lens								
10/Spread Lens	12/Soft Focus Lens												
11/Honeycomb Baffle	13/Rectilinear Lens												
Driver Type	<table border="0"> <tr> <td>D31/31W Dimming Driver</td> <td>D31ARC/31W Dimming Driver</td> </tr> <tr> <td>D42/42W Dimming Driver</td> <td>D42ARC/42W Dimming Driver</td> </tr> <tr> <td>D52/52W Dimming Driver</td> <td></td> </tr> </table> <p><i>For use with 0-10 Dimmer.</i></p>	D31/31W Dimming Driver	D31ARC/31W Dimming Driver	D42/42W Dimming Driver	D42ARC/42W Dimming Driver	D52/52W Dimming Driver							
D31/31W Dimming Driver	D31ARC/31W Dimming Driver												
D42/42W Dimming Driver	D42ARC/42W Dimming Driver												
D52/52W Dimming Driver													
Input Voltage	MT/120-277 VAC Input												
Option	<p>AH/Accessory Holder</p> <p>DG/Dome Glass Lens <i>(Replaces Flat Glass. Not Driveover Rated)</i></p> <p>GM-R/Round Grout Mask</p> <p>GM-S/Square Grout Mask</p> <p>GS/Glare Shield*</p> <p>HD/Half Dome*</p> <p>IC/Internal Cutoff Louver</p> <p>RG/Rock Guard*</p> <p>RO/Rock Guard with Optical Opening*</p> <p>TC/Traction Control Lens <i>(Replaces Flat Glass)</i></p> <p>XL/Extra Load Lens <i>(Rated for 55,000 lb. GVW drive-over load)</i></p> <p><i>* Furnished in copper free aluminum. Finish to Match Faceplate. Dome lens included.</i></p>												

TY2™

TY2-AR



PAR36 Halogen



AR111 Halogen

Material	__ Aluminum B/Brass S/Stainless Steel				
Faceplate	TY2/Flush (Integral Concrete Pour Cover)				
OptiLock®	AR/PAR36 or AR111 Halogen				
Lamp Type	See page 388 for PAR36 Halogen Lamp choices See pages 389-390 for AR111 Halogen Lamp choices				
Finish	See pages 406-407 for Finish choices				
Accessory	<table border="0"> <tr> <td>10/Spread Lens</td> <td>12/Soft Focus Lens</td> </tr> <tr> <td>11/Honeycomb Baffle</td> <td>13/Rectilinear Lens</td> </tr> </table> <p><i>(Select up to 2. Requires Accessory Holder.)</i></p>	10/Spread Lens	12/Soft Focus Lens	11/Honeycomb Baffle	13/Rectilinear Lens
10/Spread Lens	12/Soft Focus Lens				
11/Honeycomb Baffle	13/Rectilinear Lens				
Input Voltage	120/120 VAC Input 277/277 VAC Input				
Option	<p>AH/Accessory Holder</p> <p>DG/Dome Glass Lens <i>(Replaces Flat Glass. Not Driveover Rated)</i></p> <p>GM-R/Round Grout Mask</p> <p>GM-S/Square Grout Mask</p> <p>GS/Glare Shield*</p> <p>HD/Half Dome*</p> <p>IC/Internal Cutoff Louver</p> <p>ICEE/ICEE™ Lens <i>(See pages 286-287 for details)</i></p> <p>RG/Rock Guard*</p> <p>RO/Rock Guard with Optical Opening*</p> <p>TC/Traction Control Lens <i>(Replaces Flat Glass)</i></p> <p>XL/Extra Load Lens <i>(Rated for 55,000 lb. GVW drive-over load)</i></p> <p><i>* Furnished in copper free aluminum. Finish to Match Faceplate. Dome lens included.</i></p>				

TY2™

TY2-MR



MR16 Halogen

Material	__ Aluminum B/Brass S/Stainless Steel				
Faceplate	TY2/Flush (Integral Concrete Pour Cover)				
OptiLock®	4MR/MR16 Halogen Quad Array				
Lamp Type	See page 387 for MR16 Halogen Lamp choices <i>(Select 4)</i>				
Finish	See pages 406-407 for Finish choices				
Accessory	<table border="0"> <tr> <td>10/Spread Lens</td> <td>12/Soft Focus Lens</td> </tr> <tr> <td>11/Honeycomb Baffle</td> <td>13/Rectilinear Lens</td> </tr> </table> <p><i>(Select up to 2 per lamp. Requires Accessory Holder per lamp)</i></p>	10/Spread Lens	12/Soft Focus Lens	11/Honeycomb Baffle	13/Rectilinear Lens
10/Spread Lens	12/Soft Focus Lens				
11/Honeycomb Baffle	13/Rectilinear Lens				
Input Voltage	120/120 VAC Input 277/277 VAC Input				
Option	<p>AH/Accessory Holder <i>(Requires Accessory Holder per lamp)</i></p> <p>DG/Dome Glass Lens <i>(Replaces Flat Glass. Not Driveover Rated)</i></p> <p>GM-R/Round Grout Mask</p> <p>GM-S/Square Grout Mask</p> <p>GS/Glare Shield*</p> <p>HD/Half Dome*</p> <p>IC/Internal Cutoff Louver</p> <p>ICEE/ICEE™ Lens <i>(See pages 286-287 for details)</i></p> <p>RG/Rock Guard*</p> <p>RO/Rock Guard with Optical Opening*</p> <p>TC/Traction Control Lens <i>(Replaces Flat Glass)</i></p> <p>XL/Extra Load Lens <i>(Rated for 55,000 lb. GVW drive-over load)</i></p> <p><i>* Furnished in copper free aluminum. Finish to Match Faceplate. Dome lens included.</i></p>				

TY2™

TY2-PAR



PAR30 Halogen



PAR38 Halogen

Material	__ Aluminum B/Brass S/Stainless Steel				
Faceplate	TY2/Flush (Integral Concrete Pour Cover)				
OptiLock®	PAR30/PAR30 Halogen PAR38/PAR38 Halogen				
Lamp Type	See page 394 for PAR30 Halogen Lamp choices See page 395 for PAR38 Halogen Lamp choices				
Finish	See pages 406-407 for Finish choices				
Accessory	<table border="0"> <tr> <td>10/Spread Lens</td> <td>12/Soft Focus Lens</td> </tr> <tr> <td>11/Honeycomb Baffle</td> <td>13/Rectilinear Lens</td> </tr> </table> <p><i>(Select up to 2 per lamp. Requires Accessory Holder per lamp)</i></p>	10/Spread Lens	12/Soft Focus Lens	11/Honeycomb Baffle	13/Rectilinear Lens
10/Spread Lens	12/Soft Focus Lens				
11/Honeycomb Baffle	13/Rectilinear Lens				
Option	<p>AH/Accessory Holder</p> <p>DG/Dome Glass Lens <i>(Replaces Flat Glass. Not Driveover Rated)</i></p> <p>GM-R/Round Grout Mask</p> <p>GM-S/Square Grout Mask</p> <p>GS/Glare Shield*</p> <p>HD/Half Dome*</p> <p>IC/Internal Cutoff Louver</p> <p>ICEE/ICEE™ Lens <i>(See pages 286-287 for details)</i></p> <p>RG/Rock Guard*</p> <p>RO/Rock Guard with Optical Opening*</p> <p>TC/Traction Control Lens <i>(Replaces Flat Glass)</i></p> <p>XL/Extra Load Lens <i>(Rated for 55,000 lb. GVW drive-over load)</i></p> <p><i>* Furnished in copper free aluminum. Finish to Match Faceplate. Dome lens included.</i></p>				

TY2™

TY2-CF



Compact Fluorescent

Material	__ Aluminum B/Brass S/Stainless Steel
Faceplate	TY2/Flush (Integral Concrete Pour Cover)
OptiLock®	CF18/Compact Fluorescent (18W) CF26/Compact Fluorescent (26W) CF32/Compact Fluorescent (32W) CF42/Compact Fluorescent (42W)
Reflector	FL/Flood WFL/Wide Flood
Lamp Type	See page 403 for Compact Fluorescent Lamp choices
Finish	See pages 406-407 for Finish choices
Accessory	10/Spread Lens 12/Soft Focus Lens 11/Honeycomb Baffle <i>(Select up to 2. Requires Accessory Holder.)</i>
Input Voltage	120/120 VAC Input 277/277 VAC Input
Option	AH/Accessory Holder DG/Dome Glass Lens <i>(Replaces Flat Glass. Not Driveover Rated)</i> GM-R/Round Grout Mask GM-S/Square Grout Mask GS/Glare Shield* HD/Half Dome* IC/Internal Cutoff Louver ICEE/ICEE™ Lens <i>(See pages 286-287 for details)</i> RG/Rock Guard* RO/Rock Guard with Optical Opening* TC/Traction Control Lens <i>(Replaces Flat Glass)</i> XL/Extra Load Lens <i>(Rated for 55,000 lb. GVW drive-over load)</i> <i>* Furnished in copper free aluminum. Finish to Match Faceplate. Dome lens included.</i>

TY2™

TY2-T6



T6 Metal Halide

Material	__ Aluminum B/Brass S/Stainless Steel
Faceplate	TY2/Flush (Integral Concrete Pour Cover)
OptiLock®	T635/T6 Metal Halide (35W) T670/T6 Metal Halide (70W) T6150/T6 Metal Halide (150W)
Reflector	NSP/Narrow Spot WFL/Wide Flood SP/Spot WW/Wall Wash FL/Flood
Lamp Type	See page 402 for T6 Metal Halide Lamp choices
Finish	See pages 406-407 for Finish choices
Accessory	10/Spread Lens* 12/Soft Focus Lens* 11/Honeycomb Baffle* 13/Rectilinear Lens* <i>(Select up to 2. Requires Accessory Holder.)</i> <i>*Not available with Wall Wash Reflector</i>
Ballast Type	H35E/35W Electronic H150E/150W Electronic H70E/70W Electronic
Input Voltage	MT/(120/208/240/277) Multi Volt
Option	AH/Accessory Holder DG/Dome Glass Lens <i>(Replaces Flat Glass. Not Driveover Rated)</i> GM-R/Round Grout Mask GM-S/Square Grout Mask GS/Glare Shield* HD/Half Dome* IC/Internal Cutoff Louver ICEE/ICEE™ Lens <i>(See pages 286-287 for details)</i> RG/Rock Guard* RO/Rock Guard with Optical Opening* TC/Traction Control Lens <i>(Replaces Flat Glass)</i> XL/Extra Load Lens <i>(Rated for 55,000 lb. GVW drive-over load)</i> <i>* Furnished in copper free aluminum. Finish to Match Faceplate. Dome lens included.</i>

TY2™

TY2-PAR



PAR30 Metal Halide



PAR38 Metal Halide

Material	__ Aluminum B/Brass S/Stainless Steel
Faceplate	TY2/Flush (Integral Concrete Pour Cover)
OptiLock®	PAR3035/PAR-30 Metal Halide (35W) PAR3070/PAR-30 Metal Halide (70W) PAR3870/PAR-38 Metal Halide (70W) PAR38100/PAR-38 Metal Halide (100W) PAR38150/PAR-38 Metal Halide (150W)
Lamp Type	See page 397 for PAR30 Metal Halide Lamp choices See pages 398-399 for PAR38 Metal Halide Lamp choices
Finish	See pages 406-407 for Finish choices
Accessory	10/Spread Lens 12/Soft Focus Lens 11/Honeycomb Baffle 13/Rectilinear Lens <i>(Select up to 2. Requires Accessory Holder.)</i>
Ballast Type	H35E/35W Electronic H100E/100W Electronic H70E/70W Electronic H150E/150W Electronic
Input Voltage	MT/(120/208/240/277) Multi Volt
Option	AH/Accessory Holder DG/Dome Glass Lens <i>(Replaces Flat Glass. Not Driveover Rated)</i> GM-R/Round Grout Mask GM-S/Square Grout Mask GS/Glare Shield* HD/Half Dome* IC/Internal Cutoff Louver ICEE/ICEE™ Lens <i>(See pages 286-287 for details)</i> RG/Rock Guard* RO/Rock Guard with Optical Opening* TC/Traction Control Lens <i>(Replaces Flat Glass)</i> XL/Extra Load Lens <i>(Rated for 55,000 lb. GVW drive-over load)</i> <i>* Furnished in copper free aluminum. Finish to Match Faceplate. Dome lens included.</i>

TY2™

TY2-E17



E17 Metal Halide

Material	__ Aluminum B/Brass S/Stainless Steel
Faceplate	TY2/Flush (Integral Concrete Pour Cover)
OptiLock®	EH50/E-17 Metal Halide (50W) EH70/E-17 Metal Halide (70W) EH100/E-17 Metal Halide (100W) EH150/E-17 Metal Halide (150W)
Reflector	NSP/Narrow Spot WFL/Wide Flood SP/Spot WW/Wall Wash FL/Flood
Lamp Type	See page 403 for E17 Metal Halide Lamp choices
Finish	See pages 406-407 for Finish choices
Accessory	10/Spread Lens* 12/Soft Focus Lens 11/Honeycomb Baffle 13/Rectilinear Lens <small>(Select up to 2. Requires Accessory Holder. *Not available with Wall Wash Reflector)</small>
Ballast Type	H50E/50W Electronic H100E/100W Electronic H70E/70W Electronic H150E/150W Electronic
Input Voltage	MT/(120/208/240/277) Multi Volt
Option	AH/Accessory Holder DG/Dome Glass Lens <small>(Replaces Flat Glass. Not Driveover Rated)</small> GM-R/Round Grout Mask GM-S/Square Grout Mask GS/Glare Shield* HD/Half Dome* IC/Internal Cutoff Louver ICEE/ICEE™ Lens <small>(See pages 286-287 for details)</small> RG/Rock Guard* RO/Rock Guard with Optical Opening* TC/Traction Control Lens <small>(Replaces Flat Glass)</small> XL/Extra Load Lens <small>(Rated for 55,000 lb. GVW drive-over load)</small> <small>*Furnished in copper free aluminum. Finish to Match Faceplate. Dome lens included.</small>

TY2™

TY2-CDM



CDM-R111 Metal Halide

Material	__ Aluminum B/Brass S/Stainless Steel
Faceplate	TY2/Flush (Integral Concrete Pour Cover)
OptiLock®	AR35/CDM-R111 Metal Halide (35W) AR70/CDM-R111 Metal Halide (70W)
Lamp Type	See page 401 for CDM-R111 Metal Halide Lamp choices
Finish	See pages 406-407 for Finish choices
Accessory	10/Spread Lens 12/Soft Focus Lens 11/Honeycomb Baffle 13/Rectilinear Lens <small>(Select up to 2. Requires Accessory Holder.)</small>
Ballast Type	H35E/35W Electronic H70E/70W Electronic
Input Voltage	MT/(120/208/240/277) Multi Volt
Option	AH/Accessory Holder DG/Dome Glass Lens <small>(Replaces Flat Glass. Not Driveover Rated)</small> GM-R/Round Grout Mask GM-S/Square Grout Mask GS/Glare Shield* HD/Half Dome* IC/Internal Cutoff Louver ICEE/ICEE™ Lens <small>(See pages 286-287 for details)</small> RG/Rock Guard* RO/Rock Guard with Optical Opening* TC/Traction Control Lens <small>(Replaces Flat Glass)</small> XL/Extra Load Lens <small>(Rated for 55,000 lb. GVW drive-over load)</small> <small>*Furnished in copper free aluminum. Finish to Match Faceplate. Dome lens included.</small>

WELL STAR™

WS



Adjust-e-Lume®
(BKSSL™)

Series	WS/Well Star™
Source	LED/e' Technology with Integral Dimming Driver <small>Designed for use with a BKSSL™ Transformer 25W min. load when dimmed. Requires magnetic Low Voltage dimmer.</small>
LED Type	e36/8WLED/2.7K e22/8WLED/3K e23/8WLED/4K e27/8WLED/Amber <small>See pages 381-384 for Adjust-e-Lume® Lamp Data information</small>
Optics	NSP/Narrow Spot (14°) SP/Spot (18°) MFL/Medium Flood (25°) WFL/Wide Flood (36°)
Adjust-e-Lume® Output Intensity	A9 (Standard), A8, A7, A6, A5, A4, A3, A2, A1 <small>Please see Adjust-e-Lume® photometry to determine desired intensity. (Choose factory setting)</small>
Finish	See pages 406-407 for Finish choices
Lens	12/Soft Focus Lens 13/Rectilinear Lens
Shielding	11/Honeycomb Baffle

WELL STAR™

WS




MR16 Halogen

Series	WS/Well Star™
Source	MR/MR16 Halogen
Lamp Type	See page 387 for MR16 Halogen Lamp choices
Finish	See pages 406-407 for Finish choices
Lens	9/Clear (Standard) 10/Spread Lens 12/Soft Focus Lens 13/Rectilinear Lens
Shielding	11/Honeycomb Baffle <small>*Accommodates up to 2 Lens/Shielding media</small>

ADJUSTABLE WELL STAR™

AW




Series	AW/Adjustable Well Star™
Source	LED/e' Technology with Integral Dimming Driver  <i>Designed for use with a BKSSL® Transformer 25W min. load when dimmed. Requires magnetic Low Voltage dimmer.</i>
LED Type	e36/8WLED/2.7K e22/8WLED/3K e23/8WLED/4K e27/8WLED/Amber <i>See pages 381-384 for Adjust-e-Lume® Lamp Data information</i>
Optics	NSP/Narrow Spot (14°) SP/Spot (18°) MFL/Medium Flood (25°) WFL/Wide Flood (36°)
Adjust-e-Lume® Output Intensity	A9 (Standard), A8, A7, A6, A5, A4, A3, A2, A1 <i>Please see Adjust-e-Lume® photometry to determine desired intensity. (Choose factory setting)</i>
Finish	See pages 406-407 for Finish choices
Lens	12/Soft Focus Lens 13/Rectilinear Lens
Shielding	11/Honeycomb Baffle
Options	CPC/Concrete Pour Collar <i>(Must be factory installed)</i>

SQUARE ADJUSTABLE WELL STAR™

SW




Series	SW/Square Adjustable Well Star™
Source	LED/e' Technology with Integral Dimming Driver  <i>Designed for use with a BKSSL® Transformer 25W min. load when dimmed. Requires magnetic Low Voltage dimmer.</i>
LED Type	e36/8WLED/2.7K e22/8WLED/3K e23/8WLED/4K e27/8WLED/Amber <i>See pages 381-384 for Adjust-e-Lume® Lamp Data information</i>
Optics	NSP/Narrow Spot (14°) SP/Spot (18°) MFL/Medium Flood (25°) WFL/Wide Flood (36°)
Adjust-e-Lume® Output Intensity	A9 (Standard), A8, A7, A6, A5, A4, A3, A2, A1 <i>Please see Adjust-e-Lume® photometry to determine desired intensity. (Choose factory setting)</i>
Finish	See pages 406-407 for Finish choices
Lens	12/Soft Focus Lens 13/Rectilinear Lens
Shielding	11/Honeycomb Baffle

ADJUSTABLE WELL STAR™

AW




Series	AW/Adjustable Well Star™
Source	MR/MR16 Halogen 
Lamp Type	See page 387 for MR16 Halogen Lamp choices
Finish	See pages 406-407 for Finish choices
Lens*	9/Clear (Standard) 10/Spread Lens 12/Soft Focus Lens 13/Rectilinear Lens
Shielding*	11/Honeycomb Baffle <i>*Accommodates up to 2 Lens/Shielding media</i>
Options	CPC/Concrete Pour Collar <i>(Must be factory installed)</i>

SQUARE ADJUSTABLE WELL STAR™

SW



Series	SW/Square Adjustable Well Star™
Source	MR/MR16 Halogen 
Lamp Type	See page 387 for MR16 Halogen Lamp choices
Finish	See pages 406-407 for Finish choices
Lens*	9/Clear (Standard) 10/Spread Lens 12/Soft Focus Lens 13/Rectilinear Lens
Shielding*	11/Honeycomb Baffle <i>*Accommodates up to 2 Lens/Shielding media</i>

BRICK STAR™ BQ



Material	__ Aluminum B/Brass
Installation	__ Back Box CD/Core Drill
Series	BQ/Brick Star™
Source	LED/e' Technology with Integral Dimming Driver 1:∞ <small>Designed for use with a BKSSL® Transformer 25W min. load when dimmed. Requires magnetic Low Voltage dimmer.</small>
LED Type	e36/8WLED/2.7K e22/8WLED/3K e23/8WLED/4K e27/8WLED/Amber <small>See pages 381-384 for Adjust-e-Lume® Lamp Data information</small>
Adjust-e-Lume® Output Intensity	A9 (Standard), A8, A7, A6, A5, A4, A3, A2, A1 <small>Please see Adjust-e-Lume® photometry to determine desired intensity. (Choose factory setting)</small>
Finish	See pages 406-407 for Finish choices

BRICK STAR™ BQ



Material	__ Aluminum B/Brass
Installation	__ Back Box CD/Core Drill
Series	BQ/Brick Star™
Source	MR/MR16 Halogen 1:∞
Lamp Type	See page 387 for MR16 Halogen Lamp choices
Finish	See pages 406-407 for Finish choices
Options	AJ/Adjustable Lamp Bracket <small>(For use with Back Box installation)</small> TP/Thermal Protection (20W Max. Lamp) <small>(For use with Back Box installation)</small>

BRICK STAR™ BQ



Material	__ Aluminum B/Brass
Installation	CD/Core Drill
Series	BQ/Brick Star™
Source	GU/GU10 Line Voltage MR16
Lamp Type	See page 392 for GU10 Line Voltage Lamp choices
Finish	See pages 406-407 for Finish choices

LOUVERED BRICK STAR™ BQL



Material	__ Aluminum B/Brass S/Stainless Steel
Installation	__ Back Box CD/Core Drill
Series	BQL/Louvered Brick Star™
Source	LED/e' Technology with Integral Dimming Driver 1:∞ <small>Designed for use with a BKSSL® Transformer 25W min. load when dimmed. Requires magnetic Low Voltage dimmer.</small>
LED Type	e36/8WLED/2.7K e23/8WLED/4K e22/8WLED/3K e27/8WLED/Amber <small>See pages 381-384 for Adjust-e-Lume® Lamp Data information</small>
Adjust-e-Lume® Output Intensity	A9 (Standard), A8, A7, A6, A5, A4, A3, A2, A1 <small>Please see Adjust-e-Lume® photometry to determine desired intensity. (Choose factory setting)</small>
Finish	See pages 406-407 for Finish choices
Louver	D/Rectangular, 30°

LOUVERED BRICK STAR™ BQL



Material	__ Aluminum B/Brass S/Stainless Steel
Installation	__ Back Box CD/Core Drill
Series	BQL/Louvered Brick Star™
Source	MR/MR16 Halogen 1:∞
Lamp Type	See page 387 for MR16 Halogen Lamp choices
Finish	See pages 406-407 for Finish choices
Louver	D/Rectangular, 30°
Options	TP/Thermal Protection (20W Max. Lamp)* <small>*For use with Back Box installation</small>

LOUVERED BRICK STAR™ BQL



Material	__ Aluminum B/Brass S/Stainless Steel
Installation	CD/Core Drill
Series	BQL/Louvered Brick Star™
Source	GU/GU10 Line Voltage MR16
Lamp Type	See page 392 for GU10 Line Voltage Lamp choices
Finish	See pages 406-407 for Finish choices
Louver	D/Rectangular, 30°

VERTICAL BRICK STAR™

VB



Adjust-e-Lume®
(BKSSL®)

Material	__ Aluminum B/Brass
Installation	__ Back Box CD/Core Drill
Series	VB/Vertical Brick Star™
Source	LED/'e' Technology with Integral Dimming Driver 1:∞ <i>Designed for use with a BKSSL® Transformer 25W min. load when dimmed. Requires magnetic Low Voltage dimmer.</i>
LED Type	e36/8WLED/2.7K e22/8WLED/3K e23/8WLED/4K e27/8WLED/Amber <i>See pages 381-384 for Adjust-e-Lume® Lamp Data information</i>
Adjust-e-Lume® Output Intensity	A9 (Standard), A8, A7, A6, A5, A4, A3, A2, A1 <i>Please see Adjust-e-Lume® photometry to determine desired intensity. (Choose factory setting)</i>
Finish	See pages 406-407 for Finish choices

VERTICAL BRICK STAR™

VB



MR16 Halogen

Material	__ Aluminum B/Brass
Installation	__ Back Box CD/Core Drill
Series	VB/Vertical Brick Star™
Source	MR/MR16 Halogen 1:∞
Lamp Type	See page 387 for MR16 Halogen Lamp choices
Finish	See pages 406-407 for Finish choices
Options	AJ/Adjustable Lamp Bracket <i>(For use with Back Box installation)</i> TP/Thermal Protection (20W Max. Lamp) <i>(For use with Back Box installation)</i>

VERTICAL BRICK STAR™

VB



GU10 Line Voltage

Material	__ Aluminum B/Brass
Installation	CD/Core Drill
Series	VB/Vertical Brick Star™
Source	GU/GU10 Line Voltage MR16
Lamp Type	See page 392 for GU10 Line Voltage Lamp choices
Finish	See pages 406-407 for Finish choices

LOUVERED VERTICAL BRICK STAR™

VBL



Adjust-e-Lume®
(BKSSL®)

Material	__ Aluminum B/Brass S/Stainless Steel
Installation	__ Back Box CD/Core Drill
Series	VBL/Louvered Vertical Brick Star™
Source	LED/'e' Technology with Integral Dimming Driver 1:∞ <i>Designed for use with a BKSSL® Transformer 25W min. load when dimmed. Requires magnetic Low Voltage dimmer.</i>
LED Type	e36/8WLED/2.7K e22/8WLED/3K e23/8WLED/4K e27/8WLED/Amber <i>See pages 381-384 for Adjust-e-Lume® Lamp Data information</i>
Adjust-e-Lume® Output Intensity	A9 (Standard), A8, A7, A6, A5, A4, A3, A2, A1 <i>Please see Adjust-e-Lume® photometry to determine desired intensity. (Choose factory setting)</i>
Finish	See pages 406-407 for Finish choices
Louver	D/Rectangular, 30°

LOUVERED VERTICAL BRICK STAR™

VBL



MR16 Halogen

Material	__ Aluminum B/Brass S/Stainless Steel
Installation	__ Back Box CD/Core Drill
Series	VBL/Louvered Vertical Brick Star™
Source	MR/MR16 Halogen 1:∞
Lamp Type	See page 387 for MR16 Halogen Lamp choices
Finish	See pages 406-407 for Finish choices
Louver	D/Rectangular, 30°
Options	TP/Thermal Protection (20W Max. Lamp) <i>(For use with Back Box installation)</i>

LOUVERED VERTICAL BRICK STAR™

VBL



GU10 Line Voltage

Material	__ Aluminum B/Brass S/Stainless Steel
Installation	CD/Core Drill
Series	VBL/Louvered Vertical Brick Star™
Source	GU/GU10 Line Voltage MR16
Lamp Type	See page 392 for GU10 Line Voltage Lamp choices
Finish	See pages 406-407 for Finish choices
Louver	D/Rectangular, 30°

CHART STAR™ **CH**



Material	__ Aluminum B/Brass S/Stainless Steel
Series	CH/Chart Star™
Source	LED/'e' Technology with Integral Dimming Driver 1:∞ <i>Designed for use with a BKSSL® Transformer 25W min. load when dimmed. Requires magnetic Low Voltage dimmer.</i>
LED Type	e37/8WLED/2.7K e16/8WLED/3K e17/8WLED/4K e21/8WLED/Amber <i>See page 380 for Power of 'e' Lamp Data information</i>
Optics	SP/Spot (20°) NFL/Narrow Flood (25°) FL/Flood (30°)
Finish	See pages 406-407 for Finish choices
Lens	12/Soft Focus Lens 13/Rectilinear Lens
Shielding	11/Honeycomb Baffle

LOUVERED CHART STAR™ **CHL**



Material	__ Aluminum B/Brass S/Stainless Steel
Series	CHL/Louvered Chart Star™
Source	LED/'e' Technology with Integral Dimming Driver 1:∞ <i>Designed for use with a BKSSL® Transformer 25W min. load when dimmed. Requires magnetic Low Voltage dimmer.</i>
LED Type	e37/8WLED/2.7K e17/8WLED/4K e16/8WLED/3K e21/8WLED/Amber <i>See page 380 for Power of 'e' Lamp Data information</i>
Optics	SP/Spot (20°) NFL/Narrow Flood (25°) FL/Flood (30°)
Finish	See pages 406-407 for Finish choices
Lens	12/Soft Focus Lens 13/Rectilinear Lens
Shielding	11/Honeycomb Baffle
Louver	C/Round, 30° F/Round, 0°

CHART STAR™ **CH**



Material	__ Aluminum B/Brass S/Stainless Steel
Series	CH/Chart Star™
Source	MR/MR11 Halogen 1:∞
Lamp Type	See page 386 for MR11 Halogen Lamp choices
Finish	See pages 406-407 for Finish choices
Lens	9/Clear (Standard) 10/Spread Lens 12/Soft Focus Lens 13/Rectilinear Lens
Shielding	11/Honeycomb Baffle

LOUVERED CHART STAR™ **CHL**



Material	__ Aluminum B/Brass S/Stainless Steel
Series	CHL/Louvered Chart Star™
Source	MR/MR11 Halogen 1:∞
Lamp Type	See page 386 for MR11 Halogen Lamp choices
Finish	See pages 406-407 for Finish choices
Lens	9/Clear (Standard) 10/Spread Lens 12/Soft Focus Lens 13/Rectilinear Lens
Shielding	11/Honeycomb Baffle
Louver	C/Round, 30° F/Round, 0°

GOLD STAR™ GD



Material	__ Aluminum B/Brass S/Stainless Steel
Series	GD/Gold Star™
Source	LED/e' Technology with Integral Dimming Driver 1:∞ <i>Designed for use with a BKSSL® Transformer 25W min. load when dimmed. Requires magnetic Low Voltage dimmer.</i>
LED Type	e36/8WLED/2.7K e23/8WLED/4K e22/8WLED/3K e27/8WLED/Amber <i>See pages 381-384 for Adjust-e-Lume® Lamp Data Information</i>
Optics	NSP/Narrow Spot (14°) MFL/Medium Flood (25°) SP/Spot (18°) WFL/Wide Flood (36°)
Adjust-e-Lume® Output Intensity	A9 (Standard), A8, A7, A6, A5, A4, A3, A2, A1 <i>Please see Adjust-e-Lume® photometry to determine desired intensity. (Choose factory setting)</i>
Finish	See pages 406-407 for Finish choices
Lens Type	12/Soft Focus Lens 13/Rectilinear Lens
Shielding	11/Honeycomb Baffle

SQUARE GOLD STAR™ GQ



Material	__ Aluminum B/Brass S/Stainless Steel
Series	GQ/Square Gold Star™
Source	LED/e' Technology with Integral Dimming Driver 1:∞ <i>Designed for use with a BKSSL® Transformer 25W min. load when dimmed. Requires magnetic Low Voltage dimmer.</i>
LED Type	e36/8WLED/2.7K e22/8WLED/3K e23/8WLED/4K e27/8WLED/Amber <i>See pages 381-384 for Adjust-e-Lume® Lamp Data Information</i>
Optics	NSP/Narrow Spot (14°) MFL/Medium Flood (25°) SP/Spot (18°) WFL/Wide Flood (36°)
Adjust-e-Lume® Output Intensity	A9 (Standard), A8, A7, A6, A5, A4, A3, A2, A1 <i>Please see Adjust-e-Lume® photometry to determine desired intensity. (Choose factory setting)</i>
Finish	See pages 406-407 for Finish choices
Lens Type	12/Soft Focus Lens 13/Rectilinear Lens
Shielding	11/Honeycomb Baffle

GOLD STAR™ GD



Material	__ Aluminum B/Brass S/Stainless Steel
Series	GD/Gold Star™
Source	MR/MR16 Halogen 1:∞
Lamp Type	See page 387 for MR16 Halogen Lamp choices
Finish	See pages 406-407 for Finish choices
Lens Type	9/Clear Lens (Standard) 10/Spread Lens 12/Soft Focus Lens 13/Rectilinear Lens
Shielding	11/Honeycomb Baffle

GOLD STAR™ GD



Material	__ Aluminum B/Brass S/Stainless Steel
Series	GD/Gold Star™
Source	GU/GU10 Line Voltage MR16
Lamp Type	See page 392 for GU10 Line Voltage Lamp choices
Finish	See pages 406-407 for Finish choices
Lens Type	9/Clear Lens (Standard) 10/Spread Lens 12/Soft Focus Lens 13/Rectilinear Lens
Shielding	11/Honeycomb Baffle

MINI-MICRO™ iLUME™

MI



Power of 'e'
(BKSSL®)

Material	__ Aluminum B/Brass S/Stainless Steel
Series	MI/Mini-Micro™ iLUME™
Source	LED/'e' Technology with Integral Driver 1:∞ <i>Designed for use with a BKSSL® Transformer</i>
LED Type	e39/3WLED/2.7K e40/3WLED/3K e41/3WLED/4K e45/3WLED/Amber <i>See page 380 for Power of 'e' Lamp Data information</i>
Installation	I/Invisi™ Mount F/Flush Mount S/Surface Mount
Finish	See pages 406-407 for Finish choices
Optics Openings	1/Single 2/2 at 180° 4/4 at 90°
Faceplate Style	A/Solid B/Round Accent

MINI-MICRO™ RECESSED DOWNLIGHT

DM



Power of 'e'
(BKSSL®)

Material	__ Aluminum B/Brass S/Stainless Steel
Series	DM/Mini-Micro™ Recessed Downlight™
Source	LED/'e' Technology with Integral Driver 1:∞ <i>Designed for use with a BKSSL® Transformer</i>
LED Type	e38/3WLED/2.7K e10/3WLED/3K e11/3WLED/4K e15/3WLED/Amber <i>See page 380 for Power of 'e' Lamp Data information</i>
Optics	SP/Spot (16°) FL/Flood (33°)
Finish	See pages 406-407 for Finish choices
Lens	12/Soft Focus Lens 13/Rectilinear Lens
Shielding	11/Honeycomb Baffle

MINI-MICRO™ STEP STAR™

CM



Power of 'e'
(BKSSL®)

Material	__ Aluminum B/Brass S/Stainless Steel
Series	CM/Mini-Micro™ Step Star™
Source	LED/'e' Technology with Integral Driver 1:∞ <i>Designed for use with a BKSSL® Transformer</i>
LED Type	e38/3WLED/2.7K e11/3WLED/4K e10/3WLED/3K e15/3WLED/Amber <i>See page 380 for Power of 'e' Lamp Data information</i>
Finish	See pages 406-407 for Finish choices

STEP STAR™

SS



Adjust-e-Lume®
(BKSSL®)

Material	__ Aluminum B/Brass
Installation	__ Back Box CD/Core Drill
Series	SS/Step Star™
Source	LED/'e' Technology with Integral Dimming Driver 1:∞ <i>Designed for use with a BKSSL® Transformer 25W min. load when dimmed. Requires magnetic Low Voltage dimmer.</i>
LED Type	e36/8WLED/2.7K e22/8WLED/3K e23/8WLED/4K e27/8WLED/Amber <i>See pages 381-384 for Adjust-e-Lume® Lamp Data information</i>
Adjust-e-Lume® Output Intensity	A9 (Standard), A8, A7, A6, A5, A4, A3, A2, A1 <i>Please see Adjust-e-Lume® photometry to determine desired intensity. (Choose factory setting)</i>
Finish	See pages 406-407 for Finish choices
Cut Off	A/68° Cutoff (Short) B/90° Cutoff (Long)

STEP STAR™

SS



MR16 Halogen

Material	__ Aluminum B/Brass
Installation	__ Back Box CD/Core Drill
Series	SS/Step Star™
Source	MR/MR16 Halogen 1:∞
Lamp Type	See page 387 for MR16 Halogen Lamp choices
Finish	See pages 406-407 for Finish choices
Cut Off	A/68° Cutoff (Short) B/90° Cutoff (Long)
Options	AJ/Adjustable Lamp Bracket <i>(For use with Back Box installation)</i> TP/Thermal Protection (20W Max. Lamp) <i>(For use with Back Box installation)</i>

STEP STAR™

SS



GU10 Line Voltage

Material	__ Aluminum B/Brass
Installation	CD/Core Drill
Series	SS/Step Star™
Source	GU/GU10 Line Voltage MR16
Lamp Type	See page 392 for GU10 Line Voltage Lamp choices
Finish	See pages 406-407 for Finish choices
Cut Off	A/68° Cutoff (Short) B/90° Cutoff (Long)

LOUVERED STEP STAR™

SSL



Material	__ Aluminum B/Brass S/Stainless Steel
Installation	__ Back Box CD/Core Drill
Series	SSL/Louvered Step Star™
Source	LED/'e' Technology with Integral Dimming Driver 1:∞ <i>Designed for use with a BKSSL® Transformer 25W min. load when dimmed. Requires magnetic Low Voltage dimmer.</i>
LED Type	e36/8WLED/2.7K e23/8WLED/4K e22/8WLED/3K e27/8WLED/Amber <i>See pages 381-384 for Adjust-e-Lume® Lamp Data information</i>
Adjust-e-Lume® Output Intensity	A9 (Standard), A8, A7, A6, A5, A4, A3, A2, A1 <i>Please see Adjust-e-Lume® photometry to determine desired intensity. (Choose factory setting)</i>
Finish	See pages 406-407 for Finish choices
Louver	C/Round, 30°

LOUVERED STEP STAR™

SSL



Material	__ Aluminum B/Brass S/Stainless Steel
Installation	__ Back Box CD/Core Drill
Series	SSL/Louvered Step Star™
Source	MR/MR16 Halogen 1:∞
Lamp Type	See page 387 for MR16 Halogen Lamp choices
Finish	See pages 406-407 for Finish choices
Louver	C/Round, 30°
Options	TP/Thermal Protection (20W Max. Lamp) <i>(For use with Back Box installation)</i>

LOUVERED STEP STAR™

SSL



Material	__ Aluminum B/Brass S/Stainless Steel
Installation	CD/Core Drill
Series	SSL/Louvered Step Star™
Source	GU/GU10 Line Voltage MR16
Lamp Type	See page 392 for GU10 Line Voltage Lamp choices
Finish	See pages 406-407 for Finish choices
Louver	C/Round, 30°

SQUARE STEP STAR™

SQ



Material	__ Aluminum B/Brass
Installation	__ Back Box CD/Core Drill
Series	SQ/Square Step Star™
Source	LED/'e' Technology with Integral Dimming Driver 1:∞ <i>Designed for use with a BKSSL® Transformer 25W min. load when dimmed. Requires magnetic Low Voltage dimmer.</i>
LED Type	e36/8WLED/2.7K e23/8WLED/4K e22/8WLED/3K e27/8WLED/Amber <i>See pages 381-384 for Adjust-e-Lume® Lamp Data information</i>
Adjust-e-Lume® Output Intensity	A9 (Standard), A8, A7, A6, A5, A4, A3, A2, A1 <i>Please see Adjust-e-Lume® photometry to determine desired intensity. (Choose factory setting)</i>
Finish	See pages 406-407 for Finish choices

SQUARE STEP STAR™

SQ



Material	__ Aluminum B/Brass
Installation	__ Back Box CD/Core Drill
Series	SQ/Square Step Star™
Source	MR/MR16 Halogen 1:∞
Lamp Type	See page 387 for MR16 Halogen Lamp choices
Finish	See pages 406-407 for Finish choices
Options	AJ/Adjustable Lamp Bracket <i>(For use with Back Box installation)</i> TP/Thermal Protection (20W Max. Lamp) <i>(For use with Back Box installation)</i>

SQUARE STEP STAR™

SQ



Material	__ Aluminum B/Brass
Installation	CD/Core Drill
Series	SQ/Square Step Star™
Source	GU/GU10 Line Voltage MR16
Lamp Type	See page 392 for GU10 Line Voltage Lamp choices
Finish	See pages 406-407 for Finish choices

LOUVERED SQUARE STEP STAR™

SQL



Material	__ Aluminum B/Brass S/Stainless Steel
Installation	__ Back Box CD/Core Drill
Series	SQL/Louvered Square Step Star™
Source	LED/'e' Technology with Integral Dimming Driver 1:∞ <i>Designed for use with a BKSSL® Transformer 25W min. load when dimmed. Requires magnetic Low Voltage dimmer.</i>
LED Type	e36/8WLED/2.7K e23/8WLED/4K e22/8WLED/3K e27/8WLED/Amber <i>See pages 381-384 for Adjust-e-Lume® Lamp Data information</i>
Adjust-e-Lume® Output Intensity	A9 (Standard), A8, A7, A6, A5, A4, A3, A2, A1 <i>Please see Adjust-e-Lume® photometry to determine desired intensity. (Choose factory setting)</i>
Finish	See pages 406-407 for Finish choices
Louver	D/Rectangular, 30°

LOUVERED SQUARE STEP STAR™

SQL



Material	__ Aluminum B/Brass S/Stainless Steel
Installation	__ Back Box CD/Core Drill
Series	SQL/Louvered Square Step Star™
Source	MR/MR16 Halogen 1:∞
Lamp Type	See page 387 for MR16 Halogen Lamp choices
Finish	See pages 406-407 for Finish choices
Louver	D/Rectangular, 30°
Options	TP/Thermal Protection (20W Max. Lamp) <i>(For use with Back Box installation)</i>

LOUVERED SQUARE STEP STAR™

SQL



Material	__ Aluminum B/Brass S/Stainless Steel
Installation	CD/Core Drill
Series	SQL/Louvered Square Step Star™
Source	GU/GU10 Line Voltage MR16
Lamp Type	See page 392 for GU10 Line Voltage Lamp choices
Finish	See pages 406-407 for Finish choices
Louver	D/Rectangular, 30°

VERSA STAR™

VS



Material	__ Aluminum B/Brass S/Stainless Steel
Installation	__ Back Box CD/Core Drill
Series	VS/Versa Star™
Source	LED/'e' Technology with Integral Dimming Driver 1:∞ <i>Designed for use with a BKSSL® Transformer 25W min. load when dimmed. Requires magnetic Low Voltage dimmer.</i>
LED Type	e36/8WLED/2.7K e23/8WLED/4K e22/8WLED/3K e27/8WLED/Amber <i>See pages 381-384 for Adjust-e-Lume® Lamp Data information</i>
Optics	NSP/Narrow Spot (14°) MFL/Medium Flood (25°) SP/Spot (18°) WFL/Wide Flood (36°)
Adjust-e-Lume® Output Intensity	A9 (Standard), A8, A7, A6, A5, A4, A3, A2, A1 <i>Please see Adjust-e-Lume® photometry to determine desired intensity. (Choose factory setting)</i>
Finish	See pages 406-407 for Finish choices
Lens Type	12/Soft Focus Lens 13/Rectilinear Lens
Shielding	11/Honeycomb Baffle

VERSA STAR™

VS



Material	__ Aluminum B/Brass S/Stainless Steel
Installation	__ Back Box CD/Core Drill
Series	VS/Versa Star™
Source	MR/MR16 Halogen 1:∞
Lamp Type	See page 387 for MR16 Halogen Lamp choices
Finish	See pages 406-407 for Finish choices
Lens Type	9/Clear Lens (Standard) 12/Soft Focus Lens 10/Spread Lens 13/Rectilinear Lens
Shielding	11/Honeycomb Baffle
Options	AJ/Adjustable Lamp Bracket <i>(For use with Back Box installation)</i> TP/Thermal Protection (20W Max. Lamp) <i>(For use with Back Box installation)</i>

VERSA STAR™

VS




Material	__ Aluminum B/Brass S/Stainless Steel
Installation	CD/Core Drill
Series	VS/Versa Star™
Source	GU/GU10 Line Voltage MR16
Lamp Type	See page 392 for GU10 Line Voltage Lamp choices
Finish	See pages 406-407 for Finish choices
Lens Type	9/Clear Lens (Standard) 12/Soft Focus Lens 10/Spread Lens 13/Rectilinear Lens
Shielding	11/Honeycomb Baffle

LOUVERED VERSA STAR™ VSL



Adjust-e-Lume®
(BKSSL®)

Material	__ Aluminum B/Brass S/Stainless Steel
Installation	__ Back Box CD/Core Drill
Series	VSL/Louvered Versa Star™
Source	LED/e' Technology with Integral Dimming Driver  <i>Designed for use with a BKSSL® Transformer 25W min. load when dimmed. Requires magnetic Low Voltage dimmer.</i>
LED Type	e36/8WLED/2.7K e23/8WLED/4K e22/8WLED/3K e27/8WLED/Amber <i>See pages 381-384 for Adjust-e-Lume® Lamp Data information</i>
Optics	NSP/Narrow Spot (14°) MFL/Medium Flood (25°) SP/Spot (18°) WFL/Wide Flood (36°)
Adjust-e-Lume® Output Intensity	A9 (Standard), A8, A7, A6, A5, A4, A3, A2, A1 <i>Please see Adjust-e-Lume® photometry to determine desired intensity. (Choose factory setting)</i>
Finish	See pages 406-407 for Finish choices
Lens Type	12/Soft Focus Lens 13/Rectilinear Lens
Shielding	11/Honeycomb Baffle
Louver	C/Round 30° F/Round 0°

LOUVERED VERSA STAR™ VSL




GU10 Line Voltage

Material	__ Aluminum B/Brass S/Stainless Steel
Installation	CD/Core Drill
Series	VSL/Louvered Versa Star™
Source	GU/GU10 Line Voltage MR16
Lamp Type	See page 392 for GU10 Line Voltage Lamp choices
Finish	See pages 406-407 for Finish choices
Lens Type	9/Clear Lens (Standard) 10/Spread Lens 12/Soft Focus Lens 13/Rectilinear Lens
Shielding	11/Honeycomb Baffle
Louver	C/Round 30° F/Round 0°

LOUVERED VERSA STAR™ VSL



MR16 Halogen


Material	__ Aluminum B/Brass S/Stainless Steel
Installation	__ Back Box CD/Core Drill
Series	VSL/Louvered Versa Star™
Source	MR/MR16 Halogen 
Lamp Type	See page 387 for MR16 Halogen Lamp choices
Finish	See pages 406-407 for Finish choices
Lens Type	9/Clear Lens (Standard) 10/Spread Lens 12/Soft Focus Lens 13/Rectilinear Lens
Shielding	11/Honeycomb Baffle
Louver	C/Round 30° F/Round 0°
Options	AJ/Adjustable Lamp Bracket <i>(For use with Back Box installation)</i> TP/Thermal Protection (20W Max. Lamp) <i>(For use with Back Box installation)</i>

SQUARE VERSA STAR™

VQ



Adjust-e-Lume®
(BKSSL®)

Material	__ Aluminum B/Brass S/Stainless Steel				
Installation	__ Back Box CD/Core Drill				
Series	VQ/Square Versa Star™				
Source	LED/e' Technology with Integral Dimming Driver  <i>Designed for use with a BKSSL® Transformer 25W min. load when dimmed. Requires magnetic Low Voltage dimmer.</i>				
LED Type	<table border="0"> <tr> <td>e36/8WLED/2.7K</td> <td>e23/8WLED/4K</td> </tr> <tr> <td>e22/8WLED/3K</td> <td>e27/8WLED/Amber</td> </tr> </table> <i>See pages 381-384 for Adjust-e-Lume® Lamp Data Information</i>	e36/8WLED/2.7K	e23/8WLED/4K	e22/8WLED/3K	e27/8WLED/Amber
e36/8WLED/2.7K	e23/8WLED/4K				
e22/8WLED/3K	e27/8WLED/Amber				
Optics	<table border="0"> <tr> <td>NSP/Narrow Spot (14°)</td> <td>MFL/Medium Flood (25°)</td> </tr> <tr> <td>SP/Spot (18°)</td> <td>WFL/Wide Flood (36°)</td> </tr> </table>	NSP/Narrow Spot (14°)	MFL/Medium Flood (25°)	SP/Spot (18°)	WFL/Wide Flood (36°)
NSP/Narrow Spot (14°)	MFL/Medium Flood (25°)				
SP/Spot (18°)	WFL/Wide Flood (36°)				
Adjust-e-Lume® Output Intensity	A9 (Standard), A8, A7, A6, A5, A4, A3, A2, A1 <i>Please see Adjust-e-Lume® photometry to determine desired intensity. (Choose factory setting)</i>				
Finish	See pages 406-407 for Finish choices				
Lens Type	12/Soft Focus Lens 13/Rectilinear Lens				
Shielding	11/Honeycomb Baffle				

SQUARE VERSA STAR™

VQ



GU10 Line Voltage


Material	__ Aluminum B/Brass S/Stainless Steel
Installation	CD/Core Drill
Series	VQ/Square Versa Star™
Source	GU/GU10 Line Voltage MR16
Lamp Type	See page 392 for GU10 Line Voltage Lamp choices
Finish	See pages 406-407 for Finish choices
Lens Type	9/Clear Lens (Standard) 10/Spread Lens 12/Soft Focus Lens 13/Rectilinear Lens
Shielding	11/Honeycomb Baffle

SQUARE VERSA STAR™

VQ



MR16 Halogen

Material	__ Aluminum B/Brass S/Stainless Steel
Installation	__ Back Box CD/Core Drill
Series	VQ/Square Versa Star™
Source	MR/MR16 Halogen 
Lamp Type	See page 387 for MR16 Halogen Lamp choices
Finish	See pages 406-407 for Finish choices
Lens Type	9/Clear Lens (Standard) 10/Spread Lens 12/Soft Focus Lens 13/Rectilinear Lens
Shielding	11/Honeycomb Baffle
Options	AJ/Adjustable Lamp Bracket <i>(For use with Back Box installation)</i> TP/Thermal Protection (20W Max. Lamp) <i>(For use with Back Box installation)</i>

LOUVERED SQUARE VERSA STAR™

VQL



Material	__ Aluminum B/Brass S/Stainless Steel
Installation	__ Back Box CD/Core Drill
Series	VQL/Louvered Square Versa Star™
Source	LED/e' Technology with Integral Dimming Driver  <i>Designed for use with a BKSSL® Transformer 25W min. load when dimmed. Requires magnetic Low Voltage dimmer.</i>
LED Type	e36/8WLED/2.7K e22/8WLED/3K e23/8WLED/4K e27/8WLED/Amber <i>See pages 381-384 for Adjust-e-Lume® Lamp Data information</i>
Optics	NSP/Narrow Spot (14°) MFL/Medium Flood (25°) SP/Spot (18°) WFL/Wide Flood (36°)
Adjust-e-Lume® Output Intensity	A9 (Standard), A8, A7, A6, A5, A4, A3, A2, A1 <i>Please see Adjust-e-Lume® photometry to determine desired intensity. (Choose factory setting)</i>
Finish	See pages 406-407 for Finish choices
Lens Type	12/Soft Focus Lens 13/Rectilinear Lens
Shielding	11/Honeycomb Baffle
Louver	D/Rectangular, 30° G/Rectangular, 0°

LOUVERED SQUARE VERSA STAR™

VQL




Material	__ Aluminum B/Brass S/Stainless Steel
Installation	CD/Core Drill
Series	VQL/Louvered Square Versa Star™
Source	GU/GU10 Line Voltage MR16
Lamp Type	See page 392 for GU10 Line Voltage Lamp choices
Finish	See pages 406-407 for Finish choices
Lens Type	9/Clear Lens (Standard) 10/Spread Lens 12/Soft Focus Lens 13/Rectilinear Lens
Shielding	11/Honeycomb Baffle
Louver	D/Rectangular, 30° G/Rectangular, 0°

LOUVERED SQUARE VERSA STAR™

VQL



Material	__ Aluminum B/Brass S/Stainless Steel
Installation	__ Back Box CD/Core Drill
Series	VQL/Louvered Square Versa Star™
Source	MR/MR16 Halogen 
Lamp Type	See page 387 for MR16 Halogen Lamp choices
Finish	See pages 406-407 for Finish choices
Lens Type	9/Clear Lens (Standard) 10/Spread Lens 12/Soft Focus Lens 13/Rectilinear Lens
Shielding	11/Honeycomb Baffle
Louver	D/Rectangular, 30° G/Rectangular, 0°
Options	AJ/Adjustable Lamp Bracket <i>(For use with Back Box installation)</i> TP/Thermal Protection (20W Max. Lamp) <i>(For use with Back Box installation)</i>

YACHT STAR™ YS



Material	__ Aluminum B/Brass S/Stainless Steel
Series	YS/Yacht Star™
Source	LED/'e' Technology with Integral Dimming Driver 1:∞ <i>Designed for use with a BKSSL® Transformer</i> <i>25W min. load when dimmed. Requires magnetic Low Voltage dimmer.</i>
LED Type	e37/8WLED/2.7K e16/8WLED/3K e17/8WLED/4K e21/8WLED/Amber <i>See page 380 for Power of 'e' Lamp Data information</i>
Finish	See pages 406-407 for Finish choices

LOUVERED YACHT STAR™ YSL



Material	__ Aluminum B/Brass S/Stainless Steel
Series	YSL/Louvered Yacht Star™
Source	LED/'e' Technology with Integral Dimming Driver 1:∞ <i>Designed for use with a BKSSL® Transformer</i> <i>25W min. load when dimmed. Requires magnetic Low Voltage dimmer.</i>
LED Type	e37/8WLED/2.7K e16/8WLED/3K e17/8WLED/4K e21/8WLED/Amber <i>See page 380 for Power of 'e' Lamp Data information</i>
Finish	See pages 406-407 for Finish choices
Louver	C/Round, 30°

YACHT STAR™ YS



Material	__ Aluminum B/Brass S/Stainless Steel
Series	YS/Yacht Star™
Source	MR/MR11 Halogen 1:∞
Lamp Type	See page 386 for MR11 Halogen Lamp choices
Finish	See pages 406-407 for Finish choices

LOUVERED YACHT STAR™ YSL



Material	__ Aluminum B/Brass S/Stainless Steel
Series	YSL/Louvered Yacht Star™
Source	MR/MR11 Halogen 1:∞
Lamp Type	See page 386 for MR11 Halogen Lamp choices
Finish	See pages 406-407 for Finish choices
Louver	C/Round, 30°

ALPINE™ **AP**



Power of X™
(BKSSL™)

Series	AP/Alpine Series™												
Source	LED/X™ Technology with Chip on Board Construction 1:1												
LED Type	<table border="0"> <tr> <td>x43/31WLED/2.7K</td> <td>x49/52WLED/2.7K</td> </tr> <tr> <td>x44/31WLED/3K</td> <td>x50/52WLED/3K</td> </tr> <tr> <td>x45/31WLED/4K</td> <td>x51/52WLED/4K</td> </tr> <tr> <td>x46/42WLED/2.7K</td> <td></td> </tr> <tr> <td>x47/42WLED/3K</td> <td></td> </tr> <tr> <td>x48/42WLED/4K</td> <td></td> </tr> </table> <p><i>See page 385 for Power of X™ Lamp Data information</i></p>	x43/31WLED/2.7K	x49/52WLED/2.7K	x44/31WLED/3K	x50/52WLED/3K	x45/31WLED/4K	x51/52WLED/4K	x46/42WLED/2.7K		x47/42WLED/3K		x48/42WLED/4K	
x43/31WLED/2.7K	x49/52WLED/2.7K												
x44/31WLED/3K	x50/52WLED/3K												
x45/31WLED/4K	x51/52WLED/4K												
x46/42WLED/2.7K													
x47/42WLED/3K													
x48/42WLED/4K													
Optics	<p>NSP/Narrow Spot (18°) <i>Only available for x43, x44 and x45</i> NFL/Narrow Flood (25°) FL/Flood (40°) WFL/Wide Flood (60°)</p>												
Finish	See pages 406-407 for Finish choices												
Lens Type	12/Soft Focus Lens												
Shielding	11/Honeycomb Baffle												
Cap Style	B/90° C/Flush E/90° (less weephole)* <i>*Interior Use Only</i>												
Driver Housing	Requires Remote Driver See pages 375-377 for Driver choices												

ALPINE™ **AP**



PAR30 Halogen



PAR38 Halogen

Series	AP/Alpine Series™
Source	PAR30/PAR30 Halogen PAR38/PAR38 Halogen
Lamp Type	See page 394 for PAR30 Halogen Lamp choices See page 395 for PAR38 Halogen Lamp choices
Finish	See pages 406-407 for Finish choices
Lens Type*	9/Clear Lens (Standard) 12/Soft Focus Lens 10/Spread Lens 13/Rectilinear Lens
Shielding*	11/Honeycomb Baffle <i>*Accommodates up to 2 Lens/Shielding media</i>
Cap Style	B/90° C/Flush E/90° (less weephole)* <i>*Interior Use Only</i>

ALPINE™ **AP**



PAR30 Metal Halide



PAR38 Metal Halide

Series	AP/Alpine Series™ 1:1
Source	PAR3035/PAR30 Metal Halide (35W) PAR3070/PAR30 Metal Halide (70W) PAR3870/PAR38 Metal Halide (70W) PAR38100/PAR38 Metal Halide (100W) PAR38150/PAR38 Metal Halide (150W)
Lamp Type	See page 397 for PAR30 Metal Halide Lamp choices See pages 398-399 for PAR38 Metal Halide Lamp choices
Finish	See pages 406-407 for Finish choices
Lens Type*	9/Clear Lens (Standard) 12/Soft Focus Lens 10/Spread Lens 13/Rectilinear Lens
Shielding*	11/Honeycomb Baffle <i>*Accommodates up to 2 Lens/Shielding media</i>
Cap Style	B/90° C/Flush E/90° (less weephole)* <i>*Interior Use Only</i>
Ballast Housing	Requires Remote Ballast See pages 372-374 for Ballast choices

CATSKILL™ **CK**



Power of X™
(BKSSL™)

Series	CK/Catskill Series™						
Source	LED/X™ Module with Cold Phosphor Technology 1:1						
LED Type	<table border="0"> <tr> <td>x30/18WLED/2.7K</td> <td>x33/29WLED/2.7K</td> </tr> <tr> <td>x31/18WLED/3K</td> <td>x34/29WLED/3K</td> </tr> <tr> <td>x32/18WLED/4K</td> <td>x35/29WLED/4K</td> </tr> </table> <p><i>See page 384 for Power of X™ Lamp Data information</i></p>	x30/18WLED/2.7K	x33/29WLED/2.7K	x31/18WLED/3K	x34/29WLED/3K	x32/18WLED/4K	x35/29WLED/4K
x30/18WLED/2.7K	x33/29WLED/2.7K						
x31/18WLED/3K	x34/29WLED/3K						
x32/18WLED/4K	x35/29WLED/4K						
Optics	<p>SP/Spot (20°) FL/Flood (40°) WFL/Wide Flood (60°)</p>						
Finish	See pages 406-407 for Finish choices						
Lens Type*	9/Clear Lens (Standard) 12/Soft Focus Lens 10/Spread Lens 13/Rectilinear Lens						
Shielding*	11/Honeycomb Baffle <i>*Accommodates up to 2 Lens/Shielding media</i>						
Cap Style	A/45° D/45° (less weephole)* B/90° E/90° (less weephole)* C/Flush <i>*Interior Use Only</i>						
Driver Housing	Requires Remote Driver See pages 375-377 for Driver choices						

CATSKILL™ **CK**



PAR20 Halogen

Series	CK/Catskill Series™
Source	PAR20/PAR20 Halogen
Lamp Type	See page 393 for PAR20 Halogen Lamp choices
Finish	See pages 406-407 for Finish choices
Lens Type*	9/Clear Lens (Standard) 12/Soft Focus Lens 10/Spread Lens 13/Rectilinear Lens
Shielding*	11/Honeycomb Baffle <i>*Accommodates up to 2 Lens/Shielding media</i>

CATSKILL™ **CK**



PAR20 Metal Halide

Series	CK/Catskill Series™
Source	PAR2035/PAR20 Metal Halide (35W) 1:1
Lamp Type	See page 396 for PAR20 Metal Halide Lamp choices
Finish	See pages 406-407 for Finish choices
Lens Type*	9/Clear Lens (Standard) 12/Soft Focus Lens 10/Spread Lens 13/Rectilinear Lens
Shielding*	11/Honeycomb Baffle <i>*Accommodates up to 2 Lens/Shielding media</i>
Ballast Housing	Requires Remote Ballast See pages 371-374 for Ballast choices

MINI-MICRO™ CYLINDER

YM



Power of 'e'
(BKSSL®)

Material	__ Aluminum B/Brass S/Stainless Steel
Series	YM/Mini-Micro™ Cylinder
Source	LED/'e' Technology with Integral Driver 1:∞ <i>Designed for use with a BKSSL® Transformer</i>
LED Type	e38/3WLED/2.7K e10/3WLED/3K e11/3WLED/4K e15/3WLED/Amber <i>See page 380 for Power of 'e' Lamp Data information</i>
Optics	SP/Spot (16°) FL/Flood (33°)
Finish	See pages 406-407 for Finish choices
Lens Type	12/Soft Focus Lens 13/Rectilinear Lens
Shielding	11/Honeycomb Baffle
Cap Style	A/45° D/45° (less weephole) B/90° E/90° (less weephole) C/Flush

ALPINE™ SURFACE DOWNLIGHT™

SM-AP



Power of 'X'
(BKSSL®)

Material	__ Aluminum B/Brass S/Stainless Steel
Series	SM/Surface Downlight
Fixture	AP/Alpine Series™
Source	LED/'X' Technology with Chip on Board Construction 1:1
LED Type	x43/31WLED/2.7K x49/52WLED/2.7K x44/31WLED/3K x50/52WLED/3K x45/31WLED/4K x51/52WLED/4K x46/42WLED/2.7K x47/42WLED/3K x48/42WLED/4K <i>See page 385 for Power of 'X' Lamp Data information</i>
Optics	NSP/Narrow Spot (18°) <i>Only available for x43, x44 and x45</i> NFL/Narrow Flood (25°) FL/Flood (40°) WFL/Wide Flood (60°)
Finish	See pages 406-407 for Finish choices
Lens Type	12/Soft Focus Lens
Shielding	11/Honeycomb Baffle
Cap Style	B/90° C/Flush E/90° (less weephole)* <i>*Interior Use Only</i>
Driver Housing	Requires Remote Driver See pages 375-377 for Driver choices

MINI-MICRO™ TWIN CYLINDER

OM



Power of 'e'
(BKSSL®)

Material	__ Aluminum B/Brass S/Stainless Steel
Series	OM/Mini-Micro™ Twin Cylinder
Source	LED/'e' Technology with Integral Driver 1:∞ <i>Designed for use with a BKSSL® Transformer</i>
LED Type	e38/3WLED/2.7K e10/3WLED/3K e11/3WLED/4K e15/3WLED/Amber
Optics	SP/Spot (16°) FL/Flood (33°)
Finish	See pages 406-407 for Finish choices
Lens Type	12/Soft Focus Lens 13/Rectilinear Lens
Shielding	11/Honeycomb Baffle
Cap Style	A/45° D/45° (less weephole) B/90° E/90° (less weephole) C/Flush

ARTISTAR™ SURFACE DOWNLIGHT™

SM-AR



Adjust-e-Lume®
(BKSSL®)

Material	___ Aluminum B/Brass S/Stainless Steel
Series	SM/Surface Downlight
Stem Length	18", 24", 30", 36", 42", or 48" (Specify in Inches)
Fixture	AR/ArtiStar™
Source	LED/'e' Technology with Integral Dimming Driver 1:∞ <i>Designed for use with a BKSSL® Transformer 25W min. load when dimmed. Requires magnetic Low Voltage dimmer.</i>
LED Type	e36/8WLED/2.7K e22/8WLED/3K e23/8WLED/4K e27/8WLED/Amber <i>See pages 381-384 for Adjust-e-Lume® Lamp Data information</i>
Optics	NSP/Narrow Spot (14°) MFL/Medium Flood (25°) SP/Spot (18°) WFL/Wide Flood (36°)
Adjust-e-Lume® Output Intensity	A9 (Standard), A8, A7, A6, A5, A4, A3, A2, A1 <i>Please see Adjust-e-Lume® photometry to determine desired intensity. (Choose factory setting)</i>
Finish	See pages 406-407 for Finish choices
Lens Type	12/Soft Focus Lens 13/Rectilinear Lens
Shielding	11/Honeycomb Baffle
Cap Style	C/Flush D/45° (less weephole) E/90° (less weephole)

DENALI SERIES™ SURFACE DOWNLIGHT™

SM-DE



Power of 'X'
(BKSSL®)

Series	SM/Surface Downlight
Stem Length	18", 24", 30", 36", 42", or 48" (Specify in Inches)
Fixture	DE/Denali Series™
Source	LED/'X' Module with Cold Phosphor Technology 1:1
LED Type	x30/18WLED/2.7K x31/18WLED/3K x32/18WLED/4K x33/29WLED/2.7K x34/29WLED/3K x35/29WLED/4K <i>See page 384 for Power of 'X' Lamp Data information</i>
Optics	SP/Spot (20°) FL/Flood (40°) WFL/Wide Flood (60°)
Finish	See pages 406-407 for Finish choices
Lens Type*	9/Clear Lens (Standard) 10/Spread Lens 12/Soft Focus Lens 13/Rectilinear Lens
Shielding*	11/Honeycomb Baffle <i>*Accommodates up to 2 Lens/Shielding media</i>
Cap Style	C/Flush D/45° (less weephole) E/90° (less weephole)
Driver Housing	Requires Remote Driver See pages 375-377 for Driver choices

ARTISTAR™ SURFACE DOWNLIGHT™

SM-AR



MR16 Halogen


Material	___ Aluminum B/Brass
Series	SM/Surface Downlight
Stem Length	18", 24", 30", 36", 42", or 48" (Specify in Inches)
Fixture	AR/ArtiStar™
Source	MR/MR16 Halogen 1:∞
Lamp Type	See page 387 for MR16 Halogen Lamp choices
Finish	See pages 406-407 for Finish choices
Lens Type*	9/Clear Lens (Standard) 10/Spread Lens 12/Soft Focus Lens 13/Rectilinear Lens
Shielding*	11/Honeycomb Baffle <i>*Accommodates up to 2 Lens/Shielding media</i>
Cap Style	C/Flush D/45° (less weephole) E/90° (less weephole)

MICRO NITE™ SURFACE DOWNLIGHT™

SM-MN



Power of 'e'
(BKSSL®)


Material	__ Aluminum B/Brass
Series	SM/Surface Downlight
Stem Length	18", 24", 30", 36", 42", or 48" (Specify in Inches)
Fixture	MN/Micro Nite Star™
Source	LED/'e' Technology with Integral Dimming Driver  <small>Designed for use with a BKSSL® Transformer 25W min. load when dimmed. Requires magnetic Low Voltage dimmer.</small>
LED Type	e37/8WLED/2.7K e16/8WLED/3K e17/8WLED/4K e21/8WLED/Amber <small>See page 380 for Power of 'e' Lamp Data Information</small>
Optics	SP/Spot (20°) NFL/Narrow Flood (25°) FL/Flood (30°)
Finish	See pages 406-407 for Finish choices
Lens Type	12/Soft Focus Lens 13/Rectilinear Lens
Shielding	11/Honeycomb Baffle
Cap Style	C/Flush D/45° (less weephole) E/90° (less weephole)

MINI-MICRO™ SURFACE DOWNLIGHT™

SM-MM



Power of 'e'
(BKSSL®)


Material	__ Aluminum B/Brass S/Stainless Steel
Series	SM/Surface Downlight
Stem Length	18", 24", 30", 36", 42", or 48" (Specify in Inches)
Fixture	MM/Mini-Micro™
Source	LED/'e' Technology with Integral Driver  <small>Designed for use with a BKSSL® Transformer</small>
LED Type	e38/3WLED/2.7K e10/3WLED/3K e11/3WLED/4K e15/3WLED/Amber <small>See page 380 for Power of 'e' Lamp Data information</small>
Optics	SP/Spot (16°) FL/Flood (33°)
Finish	See pages 406-407 for Finish choices
Lens Type	12/Soft Focus Lens 13/Rectilinear Lens
Shielding	11/Honeycomb Baffle
Cap Style	C/Flush D/45° (less weephole) E/90° (less weephole)

MICRO NITE™ SURFACE DOWNLIGHT™

SM-MN




MR11 Halogen

Material	__ Aluminum B/Brass
Series	SM/Surface Downlight
Stem Length	18", 24", 30", 36", 42", or 48" (Specify in Inches)
Fixture	MN/Micro Nite Star™
Source	MR/MR11 Halogen 
Lamp Type	See page 386 for MR11 Halogen Lamp choices
Finish	See pages 406-407 for Finish choices
Lens Type*	9/Clear Lens (Standard) 10/Spread Lens 12/Soft Focus Lens 13/Rectilinear Lens
Shielding*	11/Honeycomb Baffle <small>*Accommodates up to 2 Lens/Shielding media</small>
Cap Style	C/Flush D/45° (less weephole) E/90° (less weephole)


EL CAPITAN™



Material	__ Aluminum B/Brass S/Stainless Steel
Series	EC/El Capitan Series™
Source	LED/e' Technology with Integral Dimming Driver  <i>Designed for use with a BKSSL® Transformer 25W min. load when dimmed. Requires magnetic Low Voltage dimmer.</i>
LED Type	e36/8WLED/2.7K e22/8WLED/3K e23/8WLED/4K e27/8WLED/Amber <i>See pages 381-384 for Adjust-e-Lume® Lamp Data information</i>
Optics	NSP/Narrow Spot (14°) MFL/Medium Flood (25°) SP/Spot (18°) WFL/Wide Flood (36°)
Adjust-e-Lume® Output Intensity	A9 (Standard), A8, A7, A6, A5, A4, A3, A2, A1 <i>Please see Adjust-e-Lume® photometry to determine desired intensity. (Choose factory setting)</i>
Finish	See pages 406-407 for Finish choices
Lens Type*	9/Clear Lens (Standard) 10/Spread Lens 12/Soft Focus Lens 13/Rectilinear Lens
Shielding*	11/Honeycomb Baffle <i>*Accommodates up to 2 Lenses/Shielding media</i>
Cap Style	A/45° D/45° (less weephole)* B/90° E/90° (less weephole)* C/Flush F/90° Cutoff with Flush Lens


EL CAPITAN™



Material	__ Aluminum B/Brass
Series	EC/El Capitan Series™
Source	MR/MR16 Halogen 
Lamp Type	See page 387 for MR16 Halogen Lamp choices
Finish	See pages 406-407 for Finish choices
Lens Type*	9/Clear Lens (Standard) 10/Spread Lens 12/Soft Focus Lens 13/Rectilinear Lens
Shielding*	11/Honeycomb Baffle <i>*Accommodates up to 2 Lenses/Shielding media</i>
Cap Style	A/45° D/45° (less weephole)* B/90° E/90° (less weephole)* C/Flush F/90° Cutoff with Flush Lens


EL DORADO™



Material	__ Aluminum B/Brass S/Stainless Steel
Series	ED/El Dorado Series™
Source	LED/e' Technology with Integral Dimming Driver  <i>Designed for use with a BKSSL® Transformer 25W min. load when dimmed. Requires magnetic Low Voltage dimmer.</i>
LED Type	e36/8WLED/2.7K e22/8WLED/3K e23/8WLED/4K e27/8WLED/Amber <i>See pages 381-384 for Adjust-e-Lume® Lamp Data information</i>
Optics	NSP/Narrow Spot (14°) MFL/Medium Flood (25°) SP/Spot (18°) WFL/Wide Flood (36°) <i>* Select Up and Down</i>
Adjust-e-Lume® Output Intensity	A9 (Standard), A8, A7, A6, A5, A4, A3, A2, A1 <i>Please see Adjust-e-Lume® photometry to determine desired intensity. (Choose factory setting)</i>
Finish	See pages 406-407 for Finish choices
Lens Type	12/Soft Focus Lens 13/Rectilinear Lens
Shielding	11/Honeycomb Baffle
Cap Style	A/45° D/45° (less weephole)* B/90° E/90° (less weephole)* C/Flush F/90° Cutoff with Flush Lens

EL DORADO™



Material	__ Aluminum B/Brass
Series	ED/El Dorado Series™
Source	MR/MR16 Halogen 
Lamp Type	See page 387 for MR16 Halogen Lamp choices
Finish	See pages 406-407 for Finish choices
Lens Type*	9/Clear Lens (Standard) 10/Spread Lens 12/Soft Focus Lens 13/Rectilinear Lens
Shielding*	11/Honeycomb Baffle <i>*Accommodates up to 2 Lenses/Shielding media</i>
Cap Style	A/45° D/45° (less weephole)* B/90° E/90° (less weephole)* C/Flush F/90° Cutoff with Flush Lens

MAMMOTH™

MA



Power of X™
(BKSSL)*

Series	MA/Mammoth Series™
Source	LED/X™ Technology with Chip on Board Construction 1:1
LED Type	x43/31WLED/2.7K x45/31WLED/4K x44/31WLED/3K <i>See page 385 for Power of X™ Lamp Data information</i>
Optics	NSP/Narrow Spot (18°) FL/Flood (40°) NFL/Narrow Flood (25°) WFL/Wide Flood (60°)
Finish	See pages 406-407 for Finish choices
Lens Type	12/Soft Focus Lens
Shielding	11/Honeycomb Baffle
Cap Style	B/90° C/Flush E/90° (less weep-hole)* <i>*Interior Use Only</i>
Driver Housing	Requires Remote Driver See pages 375-377 for Driver choices

MAMMOTH™

MA



PAR30 Halogen



PAR38 Halogen

Series	MA/Mammoth Series™
Source	PAR30/PAR30 Halogen PAR38/PAR38 Halogen
Lamp Type	See page 394 for PAR30 Halogen Lamp choices See page 395 for PAR38 Halogen Lamp choices
Finish	See pages 406-407 for Finish choices
Lens Type*	9/Clear Lens (Standard) 12/Soft Focus Lens 10/Spread Lens 13/Rectilinear Lens
Shielding*	11/Honeycomb Baffle <i>*Accommodates up to 2 Lens/Shielding media</i>
Cap Style	B/90° C/Flush E/90° (less weep-hole)* <i>*Interior Use Only</i>

MAMMOTH™

MA



PAR30 Metal Halide



PAR38 Metal Halide

Series	MA/Mammoth Series™ 1:1
Source	PAR3035/PAR30 Metal Halide (35W) PAR3070/PAR30 Metal Halide (70W) PAR3870/PAR38 Metal Halide (70W) PAR38100/PAR38 Metal Halide (100W) PAR38150/PAR38 Metal Halide (150W)
Lamp Type	See page 397 for PAR30 Metal Halide Lamp choices See pages 398-399 for PAR38 Metal Halide Lamp choices
Finish	See pages 406-407 for Finish choices
Lens Type*	9/Clear Lens (Standard) 12/Soft Focus Lens 10/Spread Lens 13/Rectilinear Lens
Shielding*	11/Honeycomb Baffle <i>*Accommodates up to 2 Lens/Shielding media</i>
Cap Style	B/90° C/Flush E/90° (less weep-hole)* <i>*Interior Use Only</i>
Ballast Housing	Requires Remote Ballast See pages 372-374 for Ballast choices

OLYMPUS™

OL



Power of X™
(BKSSL)*

Series	OL/Olympus Series™
Source	LED/X™ Module with Cold Phosphor Technology 1:1
LED Type	x30/18WLED/2.7K x31/18WLED/3K x32/18WLED/4K <i>See page 384 for Power of X™ Lamp Data information</i>
Optics	SP/Spot (20°) FL/Flood (40°) WFL/Wide Flood (60°)
Finish	See pages 406-407 for Finish choices
Lens Type*	9/Clear Lens (Standard) 10/Spread Lens 12/Soft Focus Lens 13/Rectilinear Lens
Shielding*	11/Honeycomb Baffle <i>*Accommodates up to 2 Lens/Shielding media</i>
Cap Style	A/45° D/45° (less weep-hole)* B/90° E/90° (less weep-hole)* C/Flush <i>*Interior Use Only</i>
Driver Housing	Requires Remote Driver See pages 375-377 for Driver choices

OLYMPUS™

OL



PAR20 Halogen

Series	OL/Olympus Series™
Source	PAR20/PAR20 Halogen
Lamp Type	See page 393 for PAR20 Halogen Lamp choices
Finish	See pages 406-407 for Finish choices
Lens Type*	9/Clear Lens (Standard) 10/Spread Lens 12/Soft Focus Lens 13/Rectilinear Lens
Shielding*	11/Honeycomb Baffle <i>*Accommodates up to 2 Lens/Shielding media</i>

OLYMPUS™

OL



PAR20 Metal Halide

Series	OL/Olympus Series™
Source	PAR2035/PAR20 Metal Halide(35W) 1:1
Lamp Type	See page 396 for PAR20 Metal Halide Lamp choices
Finish	See pages 406-407 for Finish choices
Lens Type*	9/Clear Lens (Standard) 10/Spread Lens 12/Soft Focus Lens 13/Rectilinear Lens
Shielding*	11/Honeycomb Baffle <i>*Accommodates up to 2 Lens/Shielding media</i>
Ballast Housing	Requires Remote Ballast See pages 371-374 for Ballast choices

PENDANT

PM



Adjust-e-Lume®
(BKSSL®)

Material	__ Aluminum B/Brass S/Stainless Steel
Series	PM/Pendant
Projection	18", 24", 30", 36", 42", or 48" <i>(Specify in Inches)</i>
Source	LED/'e' Technology with Integral Dimming Driver <i>Designed for use with a BKSSL® Transformer</i> <i>25W min. load when dimmed. Requires magnetic Low Voltage dimmer.</i>
LED Type	e36/8WLED/2.7K e22/8WLED/3K e23/8WLED/4K e27/8WLED/Amber <i>See pages 381-384 for Adjust-e-Lume® Lamp Data information</i>
Optics	NSP/Narrow Spot (14°) MFL/Medium Flood (25°) SP/Spot (18°) WFL/Wide Flood (36°)
Adjust-e-Lume® Output Intensity	A9 (Standard), A8, A7, A6, A5, A4, A3, A2, A1 <i>Please see Adjust-e-Lume® photometry to determine desired intensity.</i> <i>(Choose factory setting)</i>
Finish	See pages 406-407 for Finish choices
Lens Type	12/Soft Focus Lens 13/Rectilinear Lens
Shielding	11/Honeycomb Baffle
Cap Style	C/Flush D/45° (less weephole) E/90° (less weephole)

PENDANT

PM



MR16 Halogen

Material	__ Aluminum B/Brass
Series	PM/Pendant
Projection	18", 24", 30", 36", 42", or 48" <i>(Specify in Inches)</i>
Source	MR/MR16 Halogen
Lamp Type	See page 387 for MR16 Halogen Lamp choices
Finish	See pages 406-407 for Finish choices
Lens Type*	9/Clear Lens (Standard) 12/Soft Focus Lens 10/Spread Lens 13/Rectilinear Lens
Shielding*	11/Honeycomb Baffle <i>* Accommodates only 2 Lens/Shielding media</i>
Cap Style	A/45° D/45° (less weephole) B/90° E/90° (less weephole) C/Flush F/90° Cutoff with Flush Lens

TWIN PENDANT

WM



Adjust-e-Lume®
(BKSSL®)

Material	__ Aluminum B/Brass S/Stainless Steel
Series	WM/Twin Pendant
Projection	18", 24", 30", 36", 42", or 48" <i>(Specify in Inches)</i>
Source	LED/'e' Technology with Integral Dimming Driver <i>Designed for use with a BKSSL® Transformer</i> <i>25W min. load when dimmed. Requires magnetic Low Voltage dimmer.</i>
LED Type	e36/8WLED/2.7K e22/8WLED/3K e23/8WLED/4K e27/8WLED/Amber <i>See pages 381-384 for Adjust-e-Lume® Lamp Data information</i>
Optics	NSP/Narrow Spot (14°) MFL/Medium Flood (25°) SP/Spot (18°) WFL/Wide Flood (36°)
Adjust-e-Lume® Output Intensity	A9 (Standard), A8, A7, A6, A5, A4, A3, A2, A1 <i>Please see Adjust-e-Lume® photometry to determine desired intensity.</i> <i>(Choose factory setting)</i>
Finish	See pages 406-407 for Finish choices
Lens Type	12/Soft Focus Lens 13/Rectilinear Lens
Shielding	11/Honeycomb Baffle
Cap Style	C/Flush D/45° (less weephole) E/90° (less weephole)

TWIN PENDANT

WM



MR16 Halogen

Material	__ Aluminum B/Brass
Series	WM/Twin Pendant
Projection	18", 24", 30", 36", 42", or 48" <i>(Specify in Inches)</i>
Source	MR/MR16 Halogen
Lamp Type	See page 387 for MR16 Halogen Lamp choices
Finish	See pages 406-407 for Finish choices
Lens Type*	9/Clear Lens (Standard) 12/Soft Focus Lens 10/Spread Lens 13/Rectilinear Lens
Shielding*	11/Honeycomb Baffle <i>* Accommodates only 2 Lens/Shielding media</i>
Cap Style	A/45° D/45° (less weephole) B/90° E/90° (less weephole) C/Flush F/90° Cutoff with Flush Lens

MICRO NITE™ PENDANT | **PM-MN**



Material	__ Aluminum B/Brass
Series	PM/Pendant
Projection	18", 24", 30", 36", 42", or 48" <i>(Specify in Inches)</i>
Fixture	MN/Micro Nite Star™
Source	LED/'e' Technology with Integral Dimming Driver 1:∞ <i>Designed for use with a BKSSL® Transformer 25W min. load when dimmed. Requires magnetic Low Voltage dimmer.</i>
LED Type	e37/8WLED/2.7K e16/8WLED/3K e17/8WLED/4K e21/8WLED/Amber <i>See page 380 for Power of 'e' Lamp Data information</i>
Optics	SP/Spot (20°) NFL/Narrow Flood (25°) FL/Flood (30°)
Finish	See pages 406-407 for Finish choices
Lens Type	12/Soft Focus Lens 13/Rectilinear Lens
Shielding	11/Honeycomb Baffle
Cap Style	C/Flush D/45° (less weephole) E/90° (less weephole)

MICRO NITE™ PENDANT | **PM-MN**



Material	__ Aluminum B/Brass
Series	PM/Pendant
Projection	18", 24", 30", 36", 42", or 48" <i>(Specify in Inches)</i>
Fixture	MN/Micro Nite Star™
Source	MR/MR11 Halogen 1:∞
Lamp Type	See page 386 for MR11 Halogen Lamp choices
Finish	See pages 406-407 for Finish choices
Lens Type	12/Soft Focus Lens 13/Rectilinear Lens
Shielding	11/Honeycomb Baffle
Cap Style	A/45° B/90° C/Flush D/45° (less weephole) E/90° (less weephole)

MICRO NITE™ TWIN PENDANT | **WM-MN**



Material	__ Aluminum B/Brass
Series	WM/Twin Pendant
Projection	18", 24", 30", 36", 42", or 48" <i>(Specify in Inches)</i>
Fixture	MN/Micro Nite Star™
Source	LED/'e' Technology with Integral Dimming Driver 1:∞ <i>Designed for use with a BKSSL® Transformer 25W min. load when dimmed. Requires magnetic Low Voltage dimmer.</i>
LED Type	e37/8WLED/2.7K e16/8WLED/3K e17/8WLED/4K e21/8WLED/Amber <i>See page 380 for Power of 'e' Lamp Data information</i>
Optics	SP/Spot (20°) NFL/Narrow Flood (25°) FL/Flood (30°)
Finish	See pages 406-407 for Finish choices
Lens Type	12/Soft Focus Lens 13/Rectilinear Lens
Shielding	11/Honeycomb Baffle
Cap Style	C/Flush D/45° (less weephole) E/90° (less weephole)

MICRO NITE™ TWIN PENDANT | **WM-MN**



Material	__ Aluminum B/Brass
Series	WM/Twin Pendant
Projection	18", 24", 30", 36", 42", or 48" <i>(Specify in Inches)</i>
Fixture	MN/Micro Nite Star™
Source	MR/MR11 Halogen 1:∞
Lamp Type	See page 386 for MR11 Halogen Lamp choices
Finish	See pages 406-407 for Finish choices
Lens Type	12/Soft Focus Lens 13/Rectilinear Lens
Shielding	11/Honeycomb Baffle
Cap Style	A/45° B/90° C/Flush D/45° (less weephole) E/90° (less weephole)

MINI-MICRO™ PENDANT

PM-MM



Power of 'e'
(BKSSL®)

Material	__ Aluminum B/Brass S/Stainless Steel
Series	PM/Pendant
Projection	18", 24", 30", 36", 42", or 48" <i>(Specify in Inches)</i>
Fixture	MM/Mini-Micro™
Source	LED/'e' Technology with Integral Driver 1:∞ <i>Designed for use with a BKSSL® Transformer</i>
LED Type	e38/3WLED/2.7K e11/3WLED/4K e10/3WLED/3K e15/3WLED/Amber <i>See page 380 for Power of 'e' Lamp Data information</i>
Optics	SP/Spot (16°) FL/Flood (33°)
Finish	See pages 406-407 for Finish choices
Lens Type	12/Soft Focus Lens 13/Rectilinear Lens
Shielding	11/Honeycomb Baffle
Cap Style	C/Flush D/45° (less weephole) E/90° (less weephole)

MINI-MICRO™ TWIN PENDANT

WM-MM



Power of 'e'
(BKSSL®)

Material	__ Aluminum B/Brass S/Stainless Steel
Series	WM/Twin Pendant
Projection	18", 24", 30", 36", 42", or 48" <i>(Specify in Inches)</i>
Fixture	MM/Mini-Micro™
Source	LED/'e' Technology with Integral Driver 1:∞ <i>Designed for use with a BKSSL® Transformer</i>
LED Type	e38/3WLED/2.7K e11/3WLED/4K e10/3WLED/3K e15/3WLED/Amber <i>See page 380 for Power of 'e' Lamp Data information</i>
Optics	SP/Spot (16°) FL/Flood (33°)
Finish	See pages 406-407 for Finish choices
Lens Type	12/Soft Focus Lens 13/Rectilinear Lens
Shielding	11/Honeycomb Baffle
Cap Style	C/Flush D/45° (less weephole) E/90° (less weephole)

TETON™

TT



Power of 'e'
(BKSSL®)

Material	__ Aluminum B/Brass
Series	TT/Teton Series™
Source	LED/'e' Technology with Integral Dimming Driver 1:∞ <i>Designed for use with a BKSSL® Transformer 25W min. load when dimmed. Requires magnetic Low Voltage dimmer.</i>
LED Type	e37/8WLED/2.7K e16/8WLED/3K e17/8WLED/4K e21/8WLED/Amber <i>See page 380 for Power of 'e' Lamp Data information</i>
Finish	See pages 406-407 for Finish choices

TETON™

TT



T4 Halogen

Material	__ Aluminum B/Brass
Series	TT/Teton Series™
Source	T4/T4 Halogen 1:∞
Lamp Type	See page 391 for T4 Halogen Lamp choices
Finish	See pages 406-407 for Finish choices

LOW VOLTAGE POWER PIPE™ PP

Material	___ Aluminum B/Brass S/Stainless Steel
Series	PP/Power Pipe™ System
Type	S/Stake J/Junction Box A/Adjustable 18" Stem* (requires 18" Power Pipe) <small>*Not available with Transformer Housing</small>
Power Pipe™ Length	12/12" Power Pipe Length 18/18" Power Pipe Length
Transformer Housing	___ /Less Transformer T-L75E/Transformer housing with 75VA Electronic Transformer <small>(105-300 VAC, 50/60 Hz, Non-Dimming, For use with BKSSL* fixtures)</small> T-TRe20/Transformer housing with TRe20 Electronic Transformer* <small>(105-300 VAC, 50/60 Hz, Non-Dimming, For use with BKSSL* fixtures) *for use with BKSSL* fixtures</small>
Cap Style	___ /Less Cap (adjustable stem only) B/Single Hole Cap C/Solid Cap
Finish	See pages 406-407 for Finish choices
Input Voltage	___ /Less Transformer or For use with TRe20 Electronic Transformer (105-300 VAC, 50/60 Hz, Non-Dimming) 120/120 VAC Input (For use with L75E) 230/230 VAC Input (Non-Dimming, For use with L75E) 277/277 VAC Input (Non-Dimming, For use with L75E)
Options	SF/Stability Flange

LOW VOLTAGE POWER PIPE II™ PPII

Series	PPII/Power Pipe II™ System
Type	S/Stake J/Junction Box
Power Pipe™ Length	12/12" Power Pipe Length 18/18" Power Pipe Length
Transformer Type	L150E/150 Watt Electronic Transformer <small>(For use with Halogen fixtures)</small>
Cap Style	B/Single Hole Cap C/Solid Cap
Finish	See pages 406-407 for Finish choices
Input Voltage	120/120 VAC Input 230/230 VAC Input* 277/277 VAC Input* <small>* Non-Dimming</small>
Options	SF/Stability Flange

LOW VOLTAGE POWER CANOPY™ PC

Material	___ Aluminum B/Brass
Series	PC/Power Canopy™ System
Transformer Type	0/None L75E/75VA Electronic Transformer <small>(10VA Min. Load Non-Dimmed/40VA Min. Load Dimmed)</small> 2L75E/Two 75VA Electronic Transformers <small>(10VA Min. Load Non-Dimmed/40VA Min. Load Dimmed) Permits split switch loads.</small> L150E/150VA Electronic Transformer <small>(20VA Min. Load Non-Dimmed/40VA Min. Load Dimmed)</small> TRe20/TRe20 Electronic Transformer* <small>(105-300 VAC, 50/60 Hz, Non-Dimming)</small> 2TRe20/(2) TRe20 Electronic Transformers* <small>(105-300 VAC, 50/60 Hz, Non-Dimming) Permits split switch loads. *for use with BKSSL* fixtures</small>
Finish	See pages 406-407 for Finish choices
Fixture Mounting	0/None 1/Single Fixture - Center Mount Only 2/Dual Fixtures - Side Mounted
Input Voltage	___ For use with TRe20 Electronic Transformer <small>(105-300 VAC, 50/60 Hz, Non-Dimming)</small> 120/120 VAC Input (For use with L75E/L150E) 230/230 VAC Input (Non-Dimming, For use with L75E/L150E) 277/277 VAC Input (Non-Dimming, For use with L75E/L150E)
Options	CP/Weight Base with Switched Cord and Plug (120VAC)

STEMS ST

Material	___ Aluminum B/Brass S/Stainless Steel
Series	ST/Machined Stems
Finish	See pages 406-407 for Finish choices
Stem Length	3",6",12",18",24",30",36" <small>(specify length)</small>

MB2 MB2

Series	MB2/MB2 Cast Aluminum Rectangular Junction Box <small>(specify cover separately)</small>
Finish	See pages 406-407 for Finish choices

MB3 MB3

Series	MB3/MB3 Cast Aluminum Round Junction Box
Finish	See pages 406-407 for Finish choices

BC1 BC1

Material		__ Aluminum
Series		BC1/Cast Canopy Cover
Finish		See pages 406-407 for Finish choices

BC2 BC2

Material		__ Aluminum
Series		BC2/Cast Canopy Cover
Finish		See pages 406-407 for Finish choices

BC3 BC3

Material		__ Aluminum
Series		BC3/Rectangular Cast Blank Cover
Finish		See pages 406-407 for Finish choices

BC4 BC4

Material		__ Aluminum
Series		BC4/Cast Canopy Cover
Finish		See pages 406-407 for Finish choices

BC5 BC5

Material		__ Aluminum
Series		BC5/Cast Canopy Cover
Finish		See pages 406-407 for Finish choices

BC6 BC6

Material		__ Aluminum	B/Brass	S/Stainless Steel
Series		BC6/Machined Recessed Box Cover		
Finish		See pages 406-407 for Finish choices		

BC7 BC7

Material		__ Aluminum	B/Brass	S/Stainless Steel
Series		BC7/Machined Recessed Box Cover		
Finish		See pages 406-407 for Finish choices		

BC8 BC8

Material		__ Aluminum	B/Brass	S/Stainless Steel
Series		BC8/Machined Recessed Box Cover		
Finish		See pages 406-407 for Finish choices		

BC9 BC9

Material		__ Aluminum	B/Brass	S/Stainless Steel
Series		BC9/Machined Recessed Box Cover		
Finish		See pages 406-407 for Finish choices		

BC10 BC10

Material		__ Aluminum	B/Brass	S/Stainless Steel
Series		BC10/Machined Recessed Box Cover		
Finish		See pages 406-407 for Finish choices		

BC11 BC11

Material		__ Aluminum
Series		BC11/Machined Surface Box Cover
Finish		See pages 406-407 for Finish choices

BC12 BC12

Material		__ Aluminum
Series		BC12/Machined Surface Box Cover
Finish		See pages 406-407 for Finish choices

RC6 ^{BC6}

Material		__ Aluminum	B/Brass	S/Stainless Steel
Series		RC6/Ring Mounted Machined Canopy		
Finish		See pages 406-407 for Finish choices		

RC7 ^{RC7}

Material		__ Aluminum	B/Brass	S/Stainless Steel
Series		RC7/Ring Mounted Machined Canopy		
Finish		See pages 406-407 for Finish choices		

RC8 ^{RC8}

Material		__ Aluminum	B/Brass	S/Stainless Steel
Series		RC8/Ring Mounted Machined Canopy		
Finish		See pages 406-407 for Finish choices		

RC9 ^{RC9}

Material		__ Aluminum	B/Brass	S/Stainless Steel
Series		RC9/Ring Mounted Machined Canopy		
Finish		See pages 406-407 for Finish choices		

RC10 ^{RC10}

Material		__ Aluminum	B/Brass	S/Stainless Steel
Series		RC10/Ring Mounted Machined Canopy		
Finish		See pages 406-407 for Finish choices		

RC11 ^{RC11}

Material		__ Aluminum		
Series		RC11/Ring Mounted Machined Canopy		
Finish		See pages 406-407 for Finish choices		

RC12 ^{RC12}

Material		__ Aluminum		
Series		RC12/Ring Mounted Machined Canopy		
Finish		See pages 406-407 for Finish choices		

TREE MOUNT CANOPY™ ^{TMC}

Material		__ Aluminum	B/Brass	S/Stainless Steel
Series		TMC/Tree Mount Canopy		
Finish		See pages 406-407 for Finish choices		

SURFACE MOUNT CANOPY™ ^{SMC}

Material		__ Aluminum	B/Brass	S/Stainless Steel
Series		SMC/Surface Mounting Canopy		
Finish		See pages 406-407 for Finish choices		

TREE MOUNT JUNCTION BOX ^{TMJ}

Material		__ Aluminum	B/Brass	S/Stainless Steel
Series		TMJ/Tree Mount Junction Box		
Finish		See pages 406-407 for Finish choices		

SURFACE MOUNT JUNCTION BOX ^{SMJ}

Material		__ Aluminum	B/Brass	S/Stainless Steel
Series		SMJ/Surface Mount Junction Box		
Finish		See pages 406-407 for Finish choices		

STAKE MOUNT JUNCTION BOX ^{KMJ}

Material		__ Aluminum	B/Brass	S/Stainless Steel
Series		KMJ/Stake Mount Junction Box		
Finish		See pages 406-407 for Finish choices		

ELECTRONIC TRANSFORMER **TRe20**

Series | TRe20/TRe20 Electronic Transformer for BKSSL®
Power of e' 105-300 VAC, 50/60 Hz, Non-Dimming

ELECTRONIC TRANSFORMERS **TRSS**

Series | TRSS-75/TRSS-75 Electronic Transformer
TRSS150/TRSS-150 Electronic Transformer

Voltage | 120/120 VAC
230/230 VAC*
277/277 VAC*
** Non-Dimming*

MAGNETIC TRANSFORMERS **TR**

Series | TR60/60W Magnetic Transformer
TR150/150W Magnetic Transformer
TR300/300W Magnetic Transformer
TR600/600W Magnetic Transformer

Voltage | 120/120 VAC
277/277 VAC

RECEPTACLE BOLLARD **RB**

Series | RB/Receptacle Bollard
Finish | See pages 406-407 for Finish choices

MOUNTING SYSTEM TREE STRAP™ **TS-TMC**

Material | __ Aluminum
B/Brass
S/Stainless Steel
Series | TS/Tree Strap™
Mounting Accessory | TMC/Tree Mount Canopy Junction Box
Finish | See pages 406-407 for Finish choices
Adjustable Strap Length | Minimum 3" Adjustable Strap (Standard)
(specify length)

MOUNTING SYSTEM TREE STRAP™ **TS-MB2**

Material | __ Aluminum
Series | TS/Tree Strap™
Mounting Accessory | MB2/MB2 Cast Aluminum Junction Box
(specify cover separately)
Finish | See pages 406-407 for Finish choices
Adjustable Strap Length | Minimum 3" Adjustable Strap (Standard)
(specify length)

REMOTE TRANSFORMER HOUSING **HP2RM**



Material | __/Aluminum
B/Brass
S/Stainless Steel
Remote Housing | HP2RM/Remote In-Grade (Flush) Transformer Housing
Specify Fixture Separately
Transformer Type | L75M/75W Magnetic Transformer
L150M/150W Magnetic Transformer
L300M/300W Magnetic Transformer
Finish | See pages 406-407 for Finish choices
Input Voltage | 120/120 VAC Input
277/277 VAC Input
Options | GM-R/Round Grout Mask
GM-S/Square Grout Mask

TRANSFORMER HOUSING PM1™

PM1-LV



Series	PM1/Universal Power Module™ 1 <i>(specify fixture separately)</i>
Mounting	TS-Length/TS - Length - Tree Strap™ <i>(Specify Adjustable Strap Length. Minimum 3" Adjustable Strap (Standard))</i> SM/Surface Mount CR/Round Camlock™ CT/Rectangular Camlock™ MU/Monument Mount <i>(with 18" Power Pipe™)</i>
Transformer Type	L75E/75VA Electronic Transformer TRe20/TRe20 Electronic Transformer* <i>(*105-300 VAC. 50/60 Hz. Non-Dimming. For use with BKSSL® fixtures)</i>
Fixture Position	1/Offset 2/Center <i>(available with L75E Transformer Type only)</i>
Input Voltage	___ /For use with TRe20 Electronic Transformer 120/120 VAC Input <i>(For use with L75E)</i> 230/230 VAC Input <i>(Non-Dimming, For use with L75E)</i> 277/277 VAC Input <i>(Non-Dimming, For use with L75E)</i>
Options	SC/Safety Cable. <i>For use with Tree Strap™ (TS) mount. (Cable length to match strap length.)</i> MB/Mounting Brackets <i>(Standard with SM and MU)</i>

TRANSFORMER HOUSING PM1D™

PM1D-LV



Series	PM1D/Universal Power Module™ 1 Dual <i>(specify fixtures separately)</i>
Mounting	TS-Length/Tree Strap™ <i>(Specify Adjustable Strap Length. Minimum 3" Adjustable Strap (Standard))</i> SM/Surface Mount CR/Round Camlock™ CT/Rectangular Camlock™ MU/Monument Mount <i>(with 18" Power Pipe™)</i>
Transformer Type	L75E/(2) 75VA Electronic Transformers TRe20/TRe20 Electronic Transformer* <i>(*105-300 VAC. 50/60 Hz. Non-Dimming. For use with BKSSL® fixtures)</i>
Input Voltage	___ /For use with TRe20 Electronic Transformer <i>(105-300 VAC. 50/60 Hz. Non-Dimming)</i> 120/120 VAC Input <i>(For use with 2L75E)</i> 230/230 VAC Input <i>(Non-Dimming, For use with 2L75E)</i> 277/277 VAC Input <i>(Non-Dimming, For use with 2L75E)</i>
Options	SC/Safety Cable. <i>For use with Tree Strap™ (TS) mount. (Cable length to match strap length.)</i> MB/Mounting Brackets <i>(Standard with SM and MU)</i>

REMOTE TRANSFORMER HOUSING PM1RM™

PM1RM-LV



Series	PM1RM/Universal Power Module™ 1 Remote <i>(specify fixture separately)</i>
Mounting	TS-Length/Tree Strap™ <i>(Specify Adjustable Strap Length. Minimum 3" Adjustable Strap (Standard))</i> SM/Surface Mount CR/Round Camlock™ CT/Rectangular Camlock™
Transformer Type	L75E/75VA Electronic Transformer TRe20/TRe20 Electronic Transformer* <i>(*105-300 VAC. 50/60 Hz. Non-Dimming. For use with BKSSL® fixtures)</i>
Finish	See pages 406-407 for Finish choices
Input Voltage	___ /For use with TRe20 Electronic Transformer <i>(105-300 VAC. 50/60 Hz. Non-Dimming)</i> 120/120 VAC Input <i>(For use with L75E)</i> 230/230 VAC Input <i>(Non-Dimming, For use with L75E)</i> 277/277 VAC Input <i>(Non-Dimming, For use with L75E)</i>
Options	SC/Safety Cable. <i>For use with Tree Strap™ (TS) mount. (Cable length to match strap length.)</i> MB/Mounting Brackets <i>(Standard with SM)</i>

REMOTE TRANSFORMER HOUSING PM1DRM™

PM1DRM-LV



Series	PM1DRM/Universal Power Module™ 1 Dual Remote <i>(specify fixtures separately)</i>
Mounting	TS-Length/Tree Strap™ <i>(Specify Adjustable Strap Length. Minimum 3" Adjustable Strap (Standard))</i> SM/Surface Mount CR/Round Camlock™ CT/Rectangular Camlock™
Transformer Type	L75E/(2) 75VA Electronic Transformers TRe20/(1) TRe20 Electronic Transformer* <i>(*105-300 VAC. 50/60 Hz. Non-Dimming. For use with BKSSL® fixtures)</i>
Finish	See pages 406-407 for Finish choices
Input Voltage	___ /For use with TRe20 Electronic Transformer <i>(105-300 VAC. 50/60 Hz. Non-Dimming)</i> 120/120 VAC Input <i>(For use with L75E)</i> 230/230 VAC Input <i>(Non-Dimming, For use with L75E)</i> 277/277 VAC Input <i>(Non-Dimming, For use with L75E)</i>
Options	SC/Safety Cable. <i>For use with Tree Strap™ (TS) mount. (Cable length to match strap length.)</i> MB/Mounting Brackets <i>(Standard with SM)</i>

TRANSFORMER HOUSING PM2™

PM2-LV



Low Voltage

Series	PM2/Universal Power Module™ 2 <i>(specify fixture separately)</i>
Mounting	TS-Length/TS - Length - Tree Strap™ <i>(Specify Adjustable Strap Length. Minimum 3" Adjustable Strap (Standard))</i> SM/Surface Mount CR/Round Camlock™ CT/Rectangular Camlock™ MU/Monument Mount <i>(with 18" Power Pipe™)</i>
Transformer Type	L150E/150VA Electronic Transformer TRe20/TRe20 Electronic Transformer* <i>(*105-300 VAC, 50/60 Hz, Non-Dimming, For use with BKSSL® fixtures)</i>
Input Voltage	___/For use with TRe20 Electronic Transformer 120/120 VAC Input <i>(For use with L150E)</i> 230/230 VAC Input <i>(Non-Dimming, For use with L150E)</i> 277/277 VAC Input <i>(Non-Dimming, For use with L150E)</i>
Options	SC/Safety Cable. <i>For use with Tree Strap™ (TS) mount. (Cable length to match strap length.)</i> MB/Mounting Brackets <i>(Standard with SM and MU)</i>

TRANSFORMER HOUSING PM2D™

PM2D-LV



Low Voltage

Series	PM2D/Universal Power Module™ 2 Dual <i>(specify fixtures separately)</i>
Mounting	TS-Length/Tree Strap™ <i>(Specify Adjustable Strap Length. Minimum 3" Adjustable Strap (Standard))</i> SM/Surface Mount CR/Round Camlock™ CT/Rectangular Camlock™ MU/Monument Mount <i>(with 18" Power Pipe™)</i>
Transformer Type	L75E/(2) 75VA Electronic Transformers TRe20/(2) TRe20 Electronic Transformers* <i>(*105-300 VAC, 50/60 Hz, Non-Dimming, For use with BKSSL® fixtures)</i>
Input Voltage	___/For use with TRe20 Electronic Transformer <i>(105-300 VAC, 50/60Hz, Non-Dimming)</i> 120/120 VAC Input <i>(For use with 2L75E)</i> 230/230 VAC Input <i>(Non-Dimming, For use with 2L75E)</i> 277/277 VAC Input <i>(Non-Dimming, For use with 2L75E)</i>
Options	SC/Safety Cable. <i>For use with Tree Strap™ (TS) mount. (Cable length to match strap length.)</i> MB/Mounting Brackets <i>(Standard with SM and MU)</i>

REMOTE TRANSFORMER HOUSING PM2RM™

PM2RM-LV



Low Voltage

Series	PM2RM/Universal Power Module™ 2 Remote <i>(specify fixture separately)</i>
Mounting	TS-Length/Tree Strap™ <i>(Specify Adjustable Strap Length. Minimum 3" Adjustable Strap (Standard))</i> SM/Surface Mount CR/Round Camlock™ CT/Rectangular Camlock™
Transformer Type	L150E/150VA Electronic Transformer TRe20/TRe20 Electronic Transformer* <i>(*105-300 VAC, 50/60 Hz, Non-Dimming, For use with BKSSL® fixtures)</i>
Finish	See pages 406-407 for Finish choices
Input Voltage	___/For use with TRe20 Electronic Transformer <i>(105-300 VAC, 50/60Hz, Non-Dimming)</i> 120/120 VAC Input <i>(For use with L150E)</i> 230/230 VAC Input <i>(Non-Dimming, For use with L150E)</i> 277/277 VAC Input <i>(Non-Dimming, For use with L150E)</i>
Options	SC/Safety Cable. <i>For use with Tree Strap™ (TS) mount. (Cable length to match strap length.)</i> MB/Mounting Brackets <i>(Standard with SM)</i>

REMOTE TRANSFORMER HOUSING PM2DRM™

PM2DRM-LV



Low Voltage

Series	PM2DRM/Universal Power Module™ 2 Dual Remote <i>(specify fixtures separately)</i>
Mounting	TS-Length/Tree Strap™ <i>(Specify Adjustable Strap Length. Minimum 3" Adjustable Strap (Standard))</i> SM/Surface Mount CR/Round Camlock™ CT/Rectangular Camlock™
Transformer Type	L150E/(2) 150VA Electronic Transformers TRe20/(2) TRe20 Electronic Transformer* <i>(*105-300 VAC, 50/60 Hz, Non-Dimming, For use with BKSSL® fixtures)</i>
Finish	See pages 406-407 for Finish choices
Input Voltage	___/For use with TRe20 Electronic Transformers <i>(105-300 VAC, 50/60Hz, Non-Dimming)</i> 120/120 VAC Input <i>(For use with 2L150E)</i> 230/230 VAC Input <i>(Non-Dimming, For use with 2L150E)</i> 277/277 VAC Input <i>(Non-Dimming, For use with 2L150E)</i>
Options	SC/Safety Cable. <i>For use with Tree Strap™ (TS) mount. (Cable length to match strap length.)</i> MB/Mounting Brackets <i>(Standard with SM)</i>

JUNCTION PM1J™

PM1J

Series	PM1J/Universal Power Module™ 1 Junction Box <i>(specify fixtures separately)</i>
Mounting	TS-Length/Tree Strap™ <i>(Specify Adjustable Strap Length. Minimum 3" Adjustable Strap (Standard))</i> SM/Surface Mount CR/Round Camlock™ CT/Rectangular Camlock™ MU/Monument Mount <i>(with 18" Power Pipe™)</i>
Fixture Position	0/Blank Faceplate 1/Offset 2/Center
Finish	See pages 406-407 for Finish choices
Options	SC/Safety Cable. <i>For use with Tree Strap™ (TS) mount. (Cable length to match strap length.)</i> MB/Mounting Brackets <i>(Standard with SM and MU)</i>

JUNCTION PM2J™

PM2J

Series	PM2J/Universal Power Module™ 2 Junction Box <i>(specify fixtures separately)</i>
Mounting	TS-Length/Tree Strap™ <i>(Specify Adjustable Strap Length. Minimum 3" Adjustable Strap (Standard))</i> SM/Surface Mount CR/Round Camlock™ CT/Rectangular Camlock™ MU/Monument Mount <i>(with 18" Power Pipe™)</i>
Fixture Position	0/Blank Faceplate 1/Offset 2/Center
Finish	See pages 406-407 for Finish choices
Options	SC/Safety Cable. <i>For use with Tree Strap™ (TS) mount. (Cable length to match strap length.)</i> MB/Mounting Brackets <i>(Standard with SM and MU)</i>

JUNCTION PM3J™

PM3J

Series	PM3J/Universal Power Module™ 3 Junction Box <i>(specify fixtures separately)</i>
Mounting	TS-Length/Tree Strap™ <i>(Specify Adjustable Strap Length. Minimum 3" Adjustable Strap (Standard))</i> SM/Surface Mount CR/Round Camlock™ MU/Monument Mount <i>(with 18" Power Pipe™)</i>
Fixture Position	0/Blank Faceplate 1/Offset 2/Center
Finish	See pages 406-407 for Finish choices
Options	MB/Mounting Brackets <i>(Standard with SM and MU)</i>

JUNCTION PM1DJ™

PM1DJ

Series	PM1DJ/Universal Power Module™ 1 Dual Junction Box <i>(specify fixtures separately)</i>
Mounting	TS-Length/Tree Strap™ <i>(Specify Adjustable Strap Length. Minimum 3" Adjustable Strap (Standard))</i> SM/Surface Mount CR/Round Camlock™ CT/Rectangular Camlock™ MU/Monument Mount <i>(with 18" Power Pipe™)</i>
Fixture Position	0/Blank Faceplate 1/Offset
Finish	See pages 406-407 for Finish choices
Options	SC/Safety Cable. <i>For use with Tree Strap™ (TS) mount. (Cable length to match strap length.)</i> MB/Mounting Brackets <i>(Standard with SM and MU)</i>

JUNCTION PM2DJ™

PM2DJ

Series	PM2DJ/Universal Power Module™ 2 Dual Junction Box <i>(specify fixtures separately)</i>
Mounting	TS-Length/Tree Strap™ <i>(Specify Adjustable Strap Length. Minimum 3" Adjustable Strap (Standard))</i> SM/Surface Mount CR/Round Camlock™ CT/Rectangular Camlock™ MU/Monument Mount <i>(with 18" Power Pipe™)</i>
Fixture Position	0/Blank Faceplate 1/Offset
Finish	See pages 406-407 for Finish choices
Options	SC/Safety Cable. <i>For use with Tree Strap™ (TS) mount. (Cable length to match strap length.)</i> MB/Mounting Brackets <i>(Standard with SM and MU)</i>

JUNCTION PM3DJ™

PM3DJ

Series	PM3DJ/Universal Power Module™ 3 Dual Junction Box <i>(specify fixtures separately)</i>
Mounting	TS-Length/Tree Strap™ <i>(Specify Adjustable Strap Length. Minimum 3" Adjustable Strap (Standard))</i> SM/Surface Mount CR/Round Camlock™ MU/Monument Mount <i>(with 18" Power Pipe™)</i>
Fixture Position	0/Blank Faceplate 1/Offset
Finish	See pages 406-407 for Finish choices
Options	MB/Mounting Brackets <i>(Standard with SM and MU)</i>

BALLAST HOUSING PM2™

PM2-MH



Metal Halide

Series	PM2/Universal Power Module™ 2 <i>(specify fixture separately)</i>
Mounting	TS-Length/Tree Strap™ <i>(Specify Adjustable Strap Length. Minimum 3" Adjustable Strap (Standard))</i> SM/Surface Mount CR/Round Camlock™ CT/Rectangular Camlock™ MU/Monument Mount <i>(with 18" Power Pipe™)</i>
Ballast Type	H20E/20W Electronic Metal Halide Ballast H35E/35W Electronic Metal Halide Ballast
Input Voltage	MT/120/208/240/277 Volt Multi Tap <i>(Electronic Ballast)</i>
Options	SC/Safety Cable. <i>For use with Tree Strap™ (TS) mount. (Cable length to match strap length.)</i> MB/Mounting Brackets <i>(Standard with SM and MU)</i>

BALLAST HOUSING PM2D™

PM2D-MH



Metal Halide

Series	PM2D/Universal Power Module™ 2 Dual <i>(specify fixture separately)</i>
Mounting	TS-Length/Tree Strap™ <i>(Specify Adjustable Strap Length. Minimum 3" Adjustable Strap (Standard))</i> SM/Surface Mount CR/Round Camlock™ CT/Rectangular Camlock™ MU/Monument Mount <i>(with 18" Power Pipe™)</i>
Ballast Type	H20E/(2) 20W Electronic Metal Halide Ballasts H35E/(2) 35W Electronic Metal Halide Ballasts
Input Voltage	MT/120/208/240/277 Volt Multi Tap <i>(Electronic Ballast)</i>
Options	SC/Safety Cable. <i>For use with Tree Strap™ (TS) mount. (Cable length to match strap length.)</i> MB/Mounting Brackets <i>(Standard with SM and MU)</i>

REMOTE BALLAST HOUSING PM2RM™

PM2RM-MH



Metal Halide

Series	PM2RM/Universal Power Module™ 2 Remote <i>(specify fixture separately)</i>
Mounting	TS-Length/Tree Strap™ <i>(Specify Adjustable Strap Length. Minimum 3" Adjustable Strap (Standard))</i> SM/Surface Mount CR/Round Camlock™ CT/Rectangular Camlock™
Ballast Type	H35E/35W Electronic Metal Halide Ballast
Finish	See pages 406-407 for Finish choices
Input Voltage	MT/120/208/240/277 Volt Multi Tap <i>(Electronic Ballast)</i>
Options	SC/Safety Cable. <i>For use with Tree Strap™ (TS) mount. (Cable length to match strap length.)</i> MB/Mounting Brackets <i>(Standard with SM)</i>

REMOTE BALLAST HOUSING PM2DRM™

PM2DRM-MH



Metal Halide

Series	PM2DRM/Universal Power Module™ 2 Dual Remote <i>(specify fixture separately)</i>
Mounting	TS-Length/Tree Strap™ <i>(Specify Adjustable Strap Length. Minimum 3" Adjustable Strap (Standard))</i> SM/Surface Mount CR/Round Camlock™ CT/Rectangular Camlock™
Ballast Type	H35E/(2) 35W Electronic Metal Halide Ballasts
Finish	See pages 406-407 for Finish choices
Input Voltage	MT/120/208/240/277 Volt Multi Tap <i>(Electronic Ballast)</i>
Options	SC/Safety Cable. <i>For use with Tree Strap™ (TS) mount. (Cable length to match strap length.)</i> MB/Mounting Brackets <i>(Standard with SM)</i>

BALLAST HOUSING PM3™

PM3-MH



Metal Halide

Series	PM3/Universal Power Module™ 3 <i>(specify fixture separately)</i>
Mounting	TSC-Length/Tree Strap™ <i>(Specify Adjustable Strap Length. Minimum 3" Adjustable Strap (Standard))</i> SM/Surface Mount CR/Round Camlock™ MU/Monument Mount <i>(with 18" Power Pipe™)</i>
Ballast Type	H35E/35W Electronic Metal Halide Ballast H70E/70W Electronic Metal Halide Ballast H100E/100W Electronic Metal Halide Ballast H150E/150W Electronic Metal Halide Ballast* <small>*H150E available in 120 VAC or 277 VAC only</small>
Fixture Position	1/Offset 2/Center
Input Voltage	120/120 VAC Input* 277/277 VAC Input* MT/120/208/240/277 Volt Multi Tap <i>(Electronic Ballast)</i> <small>*H150E available in 120 VAC or 277 VAC only</small>
Options	SC/Safety Cable. <i>For use with Tree Strap™ (TS) mount. (Cable length to match strap length.)</i> MB/Mounting Brackets <i>(Standard with SM and MU)</i>

BALLAST HOUSING PM3D™

PM3D-MH



Metal Halide

Series	PM3D/Universal Power Module™ 3 Dual <i>(specify fixture separately)</i>
Mounting	TSC-Length/Tree Strap™ <i>(Specify Adjustable Strap Length. Minimum 3" Adjustable Strap (Standard))</i> SM/Surface Mount CR/Round Camlock™ MU/Monument Mount <i>(with 18" Power Pipe™)</i>
Ballast Type	H35E/(2) 35W Electronic Metal Halide Ballasts H70E/(2) 70W Electronic Metal Halide Ballasts H100E/(2) 100W Electronic Metal Halide Ballasts H150E/(2) 150W Electronic Metal Halide Ballasts* <small>*H150E available in 120 VAC or 277 VAC only</small>
Input Voltage	120/120 VAC Input* 277/277 VAC Input* MT/120/208/240/277 Volt Multi Tap <i>(Electronic Ballast)</i> <small>*H150E available in 120 VAC or 277 VAC only</small>
Options	SC/Safety Cable. <i>For use with Tree Strap™ (TS) mount. (Cable length to match strap length.)</i> MB/Mounting Brackets <i>(Standard with SM and MU)</i>

REMOTE BALLAST HOUSING PM3RM™

PM3RM-MH



Metal Halide

Series	PM3RM/Universal Power Module™ 3 Remote <i>(specify fixture separately)</i>
Mounting	TSC-Length/Tree Strap™ <i>(Specify Adjustable Strap Length. Minimum 3" Adjustable Strap (Standard))</i> SM/Surface Mount CR/Round Camlock™
Ballast Type	H35E/35W Electronic Metal Halide Ballast H50E/50W Electronic Metal Halide Ballast H70E/70W Electronic Metal Halide Ballast H100E/100W Electronic Metal Halide Ballast H150E/150W Electronic Metal Halide Ballast* <small>*H150E available in 120 VAC or 277 VAC only</small>
Finish	See pages 406-407 for Finish choices
Input Voltage	120/120 VAC Input* 277/277 VAC Input* MT/120/208/240/277 Volt Multi Tap <small>*H150E available in 120 VAC or 277 VAC only</small>
Options	MB/Mounting Brackets <i>(Standard with SM)</i>

REMOTE BALLAST HOUSING PM3DRM™

PM3DRM-MH



Metal Halide

Series	PM3DRM/Universal Power Module™ 3 Dual Remote <i>(specify fixture separately)</i>
Mounting	TSC-Length/Tree Strap™ <i>(Specify Adjustable Strap Length. Minimum 3" Adjustable Strap (Standard))</i> SM/Surface Mount CR/Round Camlock™
Ballast Type	H35E/(2) 35W Electronic Metal Halide Ballasts H50E/(2) 50W Electronic Metal Halide Ballasts H70E/(2) 70W Electronic Metal Halide Ballasts H100E/(2) 100W Electronic Metal Halide Ballasts H150E/(2) 150W Electronic Metal Halide Ballasts* <small>*H150E available in 120 VAC or 277 VAC only</small>
Finish	See pages 406-407 for Finish choices
Input Voltage	120/120 VAC Input* 277/277 VAC Input* MT/120/208/240/277 Volt Multi Tap <i>(Electronic Ballast)</i> <small>*H150E available in 120 VAC or 277 VAC only</small>
Options	MB/Mounting Brackets <i>(Standard with SM)</i>

BALLAST HOUSING HP2™

HP2



Metal Halide

Remote Ballast Housing

HP2/Remote In-Grade (Flush) Ballast Housing
Specify Fixture Separately

Ballast Type

H20E/20W Electronic Ballast
H35E/35W Electronic Ballast
H50E/50W Electronic Ballast
H70E/70W Electronic Ballast
H100E/100W Electronic Ballast
H150E/150W Electronic Ballast*

**H150E Available in 120 VAC or 277 VAC only.*

Finish

See pages 406-407 for Finish choices

Input Voltage

120/120 Volt
277/277 Volt
MT/120/208/277 Volt Multi Tap*

**Electronic Ballast Only*

Options

GM-R/Round Grout Mask
GM-S/Square Grout Mask

REMOTE BALLAST HOUSING RM™

RM



Metal Halide

Remote Ballast Housing

RM/NEMA 3R Remote Ballast Housing
Specify Fixture Separately

Ballast Type

H35M/35W Magnetic Ballast
H50M/50W Magnetic Ballast
H70M/70W Magnetic Ballast
H100M/100W Magnetic Ballast
H150M/150W Magnetic Ballast

H35E/35W Electronic Ballast
H50E/50W Electronic Ballast
H70E/70W Electronic Ballast
H100E/100W Electronic Ballast
H150E/150W Electronic Ballast *(Available in 120 VAC or 277 VAC only)*

Finish

See pages 406-407 for Finish choices

Input Voltage

120/120 Volt
277/277 Volt
MT/120/208/277 Volt Multi Tap*

**Electronic Ballast only. H150E available in 120 VAC or 277 VAC only.*

REMOTE BALLAST HOUSING HP2RM™

HP2RM



Metal Halide

Material

___/Aluminum
B/Brass
S/Stainless Steel

Remote Ballast Housing

HP2RM/Remote In-Grade (Flush) Ballast Housing
Specify Fixture Separately

Ballast Type

H35M/35W Magnetic Ballast
H50M/50W Magnetic Ballast
H70M/70W Magnetic Ballast
H100M/100W Magnetic Ballast
H150M/150W Magnetic Ballast

H35E/35W Electronic Ballast
H50E/50W Electronic Ballast
H70E/70W Electronic Ballast
H100E/100W Electronic Ballast
H150E/150W Electronic Ballast *(Available in 120 VAC or 277 VAC only)*

Finish

See pages 406-407 for Finish choices

Input Voltage

120/120 Volt
277/277 Volt
MT/120/208/277 Volt Multi Tap*

**Electronic Ballast only. H150E available in 120 VAC or 277 VAC only.*

Options

GM-R/Round Grout Mask
GM-S/Square Grout Mask

REMOTE BALLAST HOUSING DRM™

DRM



Metal Halide

Remote Ballast Housing

DRM/NEMA 3R Remote Dual Ballast Housing
Specify Fixture Separately

Ballast Type

H35M/(2) 35W Magnetic Ballasts
H50M/(2) 50W Magnetic Ballasts
H70M/(2) 70W Magnetic Ballasts
H100M/(2) 100W Magnetic Ballasts
H150M/(2) 150W Magnetic Ballasts

H35E/(2) 35W Electronic Ballasts
H50E/(2) 50W Electronic Ballasts
H70E/(2) 70W Electronic Ballasts
H100E/(2) 100W Electronic Ballasts
H150E/(2) 150W Electronic Ballasts *(Available in 120 VAC or 277 VAC only)*

Finish

See pages 406-407 for Finish choices

Input Voltage

120/120 Volt
277/277 Volt
MT/120/208/277 Volt Multi Tap*

**Electronic Ballast only. H150E available in 120 VAC or 277 VAC only.*

BALLAST HOUSING POWER CANOPY™ **PC**



Metal Halide

Series	PC/Power Canopy System™ <i>Specify Fixture Separately</i>
Ballast Type	H20E/(20W) Electronic
Input Voltage	MT/120/208/277 Volt Multi Tap

BALLAST HOUSING POWER CANOPY II™ **PCII**



Metal Halide

Series	PCII/Power Canopy II™ System <i>Specify Fixture Separately</i>
Ballast Type	H100E/(100W) Electronic H150E/(150W) Electronic
Input Voltage	MT/120/208/277 Volt Multi Tap

BALLAST HOUSING POWER CANOPY III™ **PCIII**



Metal Halide

Series	PCIII/Power Canopy III™ System <i>Specify Fixture Separately</i>
Ballast Type	H20E/(20W) Electronic H35E/(35W) Electronic H70E/(70W) Electronic
Input Voltage	MT/120/208/277 Volt Multi Tap

BALLAST HOUSING TENON MOUNT™ **TMB**



Metal Halide

Series	TMB/Tenon Mount Box <i>Specify Fixture Separately</i>
Ballast Type	H20E/(20W) Electronic H35E/(35W) Electronic H70E/(70W) Electronic H100E/(100W) Electronic H150E/(150W) Electronic* <small>*H150E available in 120 VAC or 277 VAC only.</small>
Input Voltage	120/120 Volt 277/277 Volt MT/120/208/240/277 Volt Multi Tap

BALLAST HOUSING POWER PIPE II™ **PPII**



Metal Halide

Series	PPII/Power Pipe II™ System <i>Specify Fixture Separately</i>
Type	S12/12" Stake* S18/18" Stake* J12/12" Junction Box* J18/18" Junction Box* <small>*Includes 12" or 18" Power Pipe with Ballast Housing</small>
Ballast Type	H20E/Recessed Remote In-Grade Electronic H35E/Recessed Remote In-Grade Electronic
Cap Style	B/Single Hole Cap
Input Voltage	MT/120/208/240/277 Volt Multi Tap
Options	SF/Stability Flange

DRIVER HOUSING HP2™

HP2



Power of 'X'
(BKSSL®)

Driver Housing	HP2/In-Grade (Flush) Driver Housing <i>Specify Fixture Separately</i>
Driver Type	D18INC/18W Dimming Driver D29INC/29W Dimming Driver <i>For use with Incandescent Dimmer. 120V only for Dimming.</i>
	D31/31W Dimming Driver D42/42W Dimming Driver D52/52W Dimming Driver D31ARC/31W Dimming Driver D42ARC/42W Dimming Driver <i>For use with 0-10 Dimmer.</i>
Finish	See pages 406-407 for Finish choices
Input Voltage	MT/120-277 VAC Input
Options	GM-R/Round Grout Mask GM-S/Square Grout Mask

REMOTE DRIVER HOUSING HP2RM™

HP2RM



Power of 'X'
(BKSSL®)

Material	___/Aluminum B/Brass S/Stainless Steel
Remote Driver Housing	HP2RM/Remote In-Grade (Flush) Driver Housing <i>Specify Fixture Separately</i>
Driver Type	D11INC/11W Dimming Driver D18INC/18W Dimming Driver D29INC/29W Dimming Driver <i>For use with Incandescent Dimmer. 120V only for Dimming.</i>
	D31/31W Dimming Driver D42/42W Dimming Driver D52/52W Dimming Driver D31ARC/31W Dimming Driver D42ARC/42W Dimming Driver <i>For use with 0-10 Dimmer.</i>
Finish	See pages 406-407 for Finish choices
Input Voltage	MT/120-277 VAC Input
Options	GM-R/Round Grout Mask GM-S/Square Grout Mask

DRIVER HOUSING POWER CANOPY™

PC



Power of 'X'
(BKSSL®)

Series	PC/Power Canopy System™ <i>Specify Fixture Separately</i>
Driver Type	D18INC/18W Dimming Driver D29INC/29W Dimming Driver <i>For use with Incandescent Dimmer. 120V only for Dimming.</i>
Input Voltage	MT/120-277 VAC Input

REMOTE DRIVER HOUSING RM™

RM



Power of 'X'
(BKSSL®)

Remote Driver Housing	RM/NEMA 3R Remote Driver Housing <i>Specify Fixture Separately</i>
Driver Type	D11INC/11W Dimming Driver D18INC/18W Dimming Driver D29INC/29W Dimming Driver <i>For use with Incandescent Dimmer. 120V only for Dimming.</i>
	D31/31W Dimming Driver D42/42W Dimming Driver D52/52W Dimming Driver D31ARC/31W Dimming Driver D42ARC/42W Dimming Driver <i>For use with 0-10 Dimmer.</i>
Finish	See pages 406-407 for Finish choices
Input Voltage	MT/120-277 VAC Input

REMOTE DRIVER HOUSING DRM™

DRM



Power of 'X'
(BKSSL®)

Remote Driver Housing	DRM/NEMA 3R Remote Dual Driver Housing <i>Specify Fixture Separately</i>
Driver Type	D11INC/(2) 11W Dimming Drivers D18INC/(2) 18W Dimming Drivers D29INC/(2) 29W Dimming Drivers <i>For use with Incandescent Dimmer. 120V only for Dimming.</i>
	D31/(2) 31W Dimming Drivers D42/(2) 42W Dimming Drivers D52/(2) 52W Dimming Drivers D31ARC/(2) 31W Dimming Drivers D42ARC/(2) 42W Dimming Drivers <i>For use with 0-10 Dimmer.</i>
Finish	See pages 406-407 for Finish choices
Input Voltage	MT/120-277 VAC Input

DRIVER HOUSING POWER CANOPY III™

PCIII



Power of 'X'
(BKSSL®)

Series	PCIII/Power Canopy System III™ <i>Specify Fixture Separately</i>
Driver Type	D31/31W Dimming Driver D42/42W Dimming Driver D52/52W Dimming Driver D31ARC/31W Dimming Driver D42ARC/42W Dimming Driver <i>For use with 0-10 Dimmer.</i>
Input Voltage	MT/120-277 VAC Input

DRIVER HOUSING PM2™

PM2



Power of 'X'
(BKSSL*)

Series	PM2/Universal Power Module™ 2 <i>(specify fixture separately)</i>
Mounting	TS-Length/TS - Length - Tree Strap™ <i>(Specify Adjustable Strap Length. Minimum 3" Adjustable Strap (Standard))</i> SM/Surface Mount CR/Round Camlock™ CT/Rectangular Camlock™ MU/Monument Mount <i>(with 18" Power Pipe™)</i>
Driver Type	D11INC/11W Dimming Driver D18INC/18W Dimming Driver D29INC/29W Dimming Driver <i>For use with Incandescent Dimmer. 120V only for Dimming.</i>
Input Voltage	MT/120-277 VAC Input
Options	SC/Safety Cable. <i>For use with Tree Strap™ (TS) mount. (Cable length to match strap length.)</i> MB/Mounting Brackets <i>(Standard with SM and MU)</i>

DRIVER HOUSING PM2D™

PM2D



Power of 'X'
(BKSSL*)

Series	PM2D/Universal Power Module™ 2 Dual <i>(specify fixture separately)</i>
Mounting	TS-Length/TS - Length - Tree Strap™ <i>(Specify Adjustable Strap Length. Minimum 3" Adjustable Strap (Standard))</i> SM/Surface Mount CR/Round Camlock™ CT/Rectangular Camlock™ MU/Monument Mount <i>(with 18" Power Pipe™)</i>
Driver Type	D11INC/(2) 11W Dimming Drivers D18INC/(2) 18W Dimming Drivers D29INC/(2) 29W Dimming Drivers <i>For use with Incandescent Dimmer. 120V only for Dimming.</i>
Input Voltage	MT/120-277 VAC Input
Options	SC/Safety Cable. <i>For use with Tree Strap™ (TS) mount. (Cable length to match strap length.)</i> MB/Mounting Brackets <i>(Standard with SM and MU)</i>

DRIVER HOUSING TENON MOUNT™

TMB



Power of 'X'
(BKSSL*)

Series	TMB/Tenon Mount Box <i>Specify Fixture Separately</i>
Driver Type	D11INC/11W Dimming Driver D18INC/18W Dimming Driver D29INC/29W Dimming Driver <i>For use with Incandescent Dimmer. 120V only for Dimming.</i> D31/31W Dimming Driver D42/42W Dimming Driver D52/52W Dimming Driver D31ARC/31W Dimming Driver D42ARC/42W Dimming Driver <i>For use with 0-10 Dimmer.</i>
Input Voltage	MT/120-277 VAC Input

REMOTE DRIVER HOUSING PM2RM™

PM2RM



Power of 'X'
(BKSSL*)

Series	PM2RM/Universal Power Module™ 2 Remote <i>(specify fixture separately)</i>
Mounting	TS-Length/TS - Length - Tree Strap™ <i>(Specify Adjustable Strap Length. Minimum 3" Adjustable Strap (Standard))</i> SM/Surface Mount CR/Round Camlock™ CT/Rectangular Camlock™
Driver Type	D11INC/11W Dimming Driver D18INC/18W Dimming Driver D29INC/29W Dimming Driver <i>For use with Incandescent Dimmer. 120V only for Dimming.</i>
Input Voltage	MT/120-277 VAC Input
Options	SC/Safety Cable. <i>For use with Tree Strap™ (TS) mount. (Cable length to match strap length.)</i> MB/Mounting Brackets <i>(Standard with SM and MU)</i>

REMOTE DRIVER HOUSING PM2DRM™

PM2DRM



Power of 'X'
(BKSSL*)

Series	PM2DRM/Universal Power Module™ 2 Dual Remote <i>(specify fixture separately)</i>
Mounting	TS-Length/TS - Length - Tree Strap™ <i>(Specify Adjustable Strap Length. Minimum 3" Adjustable Strap (Standard))</i> SM/Surface Mount CR/Round Camlock™ CT/Rectangular Camlock™
Driver Type	D11INC/(2) 11W Dimming Drivers D18INC/(2) 18W Dimming Drivers D29INC/(2) 29W Dimming Drivers <i>For use with Incandescent Dimmer. 120V only for Dimming.</i>
Input Voltage	MT/120-277 VAC Input
Options	SC/Safety Cable. <i>For use with Tree Strap™ (TS) mount. (Cable length to match strap length.)</i> MB/Mounting Brackets <i>(Standard with SM and MU)</i>

DRIVER HOUSING POWER PIPE II™

PPII



Power of 'X'
(BKSSL*)

Series	PPII/Power Pipe II™ System <i>Specify Fixture Separately</i>
Type	S12/12" Stake* S18/18" Stake* J12/12" Junction Box* J18/18" Junction Box* <i>*Includes 12" or 18" Power Pipe with Driver Housing</i>
Driver Type	D11INC/11W Dimming Driver D18INC/18W Dimming Driver D29INC/29W Dimming Driver <i>For use with Incandescent Dimmer. 120V only for Dimming.</i>
Cap Style	B/Single Hole Cap
Input Voltage	MT/120-277 VAC Input
Options	SF/Stability Flange

DRIVER HOUSING PM3™

PM3



Power of 'X'
(BKSSL®)

Series	PM3/Universal Power Module™ 3 <i>(specify fixture separately)</i>
Mounting	TS-Length/TS - Length - Tree Strap™ <i>(Specify Adjustable Strap Length. Minimum 3" Adjustable Strap (Standard))</i> SM/Surface Mount CR/Round Camlock™ MU/Monument Mount <i>(with 18" Power Pipe™)</i>
Driver Type	D31/31W Dimming Driver D42/42W Dimming Driver D52/52W Dimming Driver D31ARC/31W Dimming Driver D42ARC/42W Dimming Driver <i>For use with 0-10 Dimmer.</i>
Fixture Position	1/Offset 2/Center
Input Voltage	MT/120-277 VAC Input
Options	MB/Mounting Brackets <i>(Standard with SM and MU)</i>

DRIVER HOUSING PM3D™

PM3D



Power of 'X'
(BKSSL®)

Series	PM3D/Universal Power Module™ 3 Dual <i>(specify fixture separately)</i>
Mounting	TS-Length/TS - Length - Tree Strap™ <i>(Specify Adjustable Strap Length. Minimum 3" Adjustable Strap (Standard))</i> SM/Surface Mount CR/Round Camlock™ MU/Monument Mount <i>(with 18" Power Pipe™)</i>
Driver Type	D31/(2) 31W Dimming Drivers D42/(2) 42W Dimming Drivers D52/(2) 52W Dimming Drivers D31ARC/(2) 31W Dimming Drivers D42ARC/(2) 42W Dimming Drivers <i>For use with 0-10 Dimmer.</i>
Input Voltage	MT/120-277 VAC Input
Options	MB/Mounting Brackets <i>(Standard with SM and MU)</i>

REMOTE DRIVER HOUSING PM3RM™

PM3RM



Power of 'X'
(BKSSL®)

Series	PM3RM/Universal Power Module™ 3 Remote <i>(specify fixture separately)</i>
Mounting	TS-Length/TS - Length - Tree Strap™ <i>(Specify Adjustable Strap Length. Minimum 3" Adjustable Strap (Standard))</i> SM/Surface Mount CR/Round Camlock™
Driver Type	D31/31W Dimming Driver D42/42W Dimming Driver D52/52W Dimming Driver D31ARC/31W Dimming Driver D42ARC/42W Dimming Driver <i>For use with 0-10 Dimmer.</i>
Input Voltage	MT/120-277 VAC Input
Options	SC/Safety Cable. <i>For use with Tree Strap™ (TS) mount. (Cable length to match strap length.)</i> MB/Mounting Brackets <i>(Standard with SM and MU)</i>

REMOTE DRIVER HOUSING PM3DRM™

PM3DRM



Power of 'X'
(BKSSL®)

Series	PM3DRM/Universal Power Module™ 3 Dual Remote <i>(specify fixture separately)</i>
Mounting	TS-Length/TS - Length - Tree Strap™ <i>(Specify Adjustable Strap Length. Minimum 3" Adjustable Strap (Standard))</i> SM/Surface Mount CR/Round Camlock™
Driver Type	D31/(2) 31W Dimming Drivers D42/(2) 42W Dimming Drivers D52/(2) 52W Dimming Drivers D31ARC/(2) 31W Dimming Drivers D42ARC/(2) 42W Dimming Drivers <i>For use with 0-10 Dimmer.</i>
Input Voltage	MT/120-277 VAC Input
Options	SC/Safety Cable. <i>For use with Tree Strap™ (TS) mount. (Cable length to match strap length.)</i> MB/Mounting Brackets <i>(Standard with SM and MU)</i>

DRIVER HOUSING HP2™

HP2



Power of C™
(BKSSL®)

Remote Driver Housing

HP2/Remote In-Grade (Flush) Ballast Housing
Specify Fixture Separately

Driver Type

DC25/25W Driver
For use with Power of C™ fixtures

Control

010/0-10V Wired Installation
Requires 2 sets of 0-10V controls. Sold separately
WRL/Wireless
Requires Light Commissioning Tool. Sold separately.

Finish

See pages 406-407 for Finish choices

Input Voltage

120/120 VAC Input
277/277 VAC Input

Options

GM-R/Round Grout Mask
GM-S/Square Grout Mask

REMOTE DRIVER HOUSING HP2RM™

HP2RM



Power of C™
(BKSSL®)

Material

___/Aluminum
B/Brass
S/Stainless Steel

Remote Driver Housing

HP2RM/Remote In-Grade (Flush) Driver Housing
Specify Fixture Separately

Driver Type

DC25/25W Driver
For use with Power of C™ fixtures

Control

010/0-10V Wired Installation
Requires 2 sets of 0-10V controls. Sold separately
WRL/Wireless
Requires Light Commissioning Tool. Sold separately.

Finish

See pages 406-407 for Finish choices

Input Voltage

120/120 VAC Input
277/277 VAC Input

Options

GM-R/Round Grout Mask
GM-S/Square Grout Mask

DRIVER HOUSING POWER CANOPY III™

PCIII



Power of C™
(BKSSL®)

Series

PCIII/Power Canopy III™ System
Specify Fixture Separately

Driver Type

DC25/25W Driver
For use with Power of C™ fixtures

Control

010/0-10V Wired Installation
Requires 2 sets of 0-10V controls. Sold separately
WRL/Wireless
Requires Light Commissioning Tool. Sold separately.

Input Voltage

120/120 VAC Input
277/277 VAC Input

REMOTE DRIVER HOUSING RM™

RM



Power of C™
(BKSSL®)

Remote Driver Housing

RM/NEMA 3R Remote Driver Housing
Specify Fixture Separately

Driver Type

DC25/25W Driver
For use with Power of C™ fixtures

Control

010/0-10V Wired Installation
Requires 2 sets of 0-10V controls. Sold separately
WRL/Wireless
Requires Light Commissioning Tool. Sold separately.

Finish

See pages 406-407 for Finish choices

Input Voltage

120/120 VAC Input
277/277 VAC Input

REMOTE DRIVER HOUSING DRM™

DRM



Power of C™
(BKSSL®)

Remote Driver Housing

DRM/NEMA 3R Remote Dual Driver Housing
Specify Fixture Separately

Driver Type

DC25/(2) 25W Drivers
For use with Power of C™ fixtures

Control

010/0-10V Wired Installation
Requires 2 sets of 0-10V controls. Sold separately
WRL/Wireless
Requires Light Commissioning Tool. Sold separately.

Finish

See pages 406-407 for Finish choices

Input Voltage

120/120 VAC Input
277/277 VAC Input

DRIVER HOUSING TENON MOUNT™

TMB



Power of C™
(BKSSL®)

Series

TMB/Tenon Mount Box
Specify Fixture Separately

Driver Type

DC25/25W Driver
For use with Power of C™ fixtures

Control

010/0-10V Wired Installation
Requires 2 sets of 0-10V controls. Sold separately
WRL/Wireless
Requires Light Commissioning Tool. Sold separately.

Input Voltage

120/120 VAC Input
277/277 VAC Input

DRIVER HOUSING PM3™

PM3



Power of C™
(BKSSL®)

Series	PM3/Universal Power Module™ 3 <i>(specify fixture separately)</i>
Mounting	TS-Length/TS - Length - Tree Strap™ <i>(Specify Adjustable Strap Length. Minimum 3" Adjustable Strap (Standard))</i> SM/Surface Mount CR/Round Camlock™ MU/Monument Mount <i>(with 18" Power Pipe™)</i>
Driver Type	DC25/25W Driver <i>For use with Power of C™ fixtures</i>
Control	010/0-10V Wired Installation <i>Requires 2 sets of 0-10V controls. Sold separately</i> WRL/Wireless <i>Requires Light Commissioning Tool. Sold separately.</i>
Fixture Position	1/Offset 2/Center
Input Voltage	120/120 Volt 277/277 VAC Input
Options	MB/Mounting Brackets <i>(Standard with SM and MU)</i>

DRIVER HOUSING PM3D™

PM3D



Power of C™
(BKSSL®)

Series	PM3D/Universal Power Module™ 3 Dual <i>(specify fixture separately)</i>
Mounting	TS-Length/TS - Length - Tree Strap™ <i>(Specify Adjustable Strap Length. Minimum 3" Adjustable Strap (Standard))</i> SM/Surface Mount CR/Round Camlock™ MU/Monument Mount <i>(with 18" Power Pipe™)</i>
Driver Type	DC25/(2) 25W Drivers <i>For use with Power of C™ fixtures</i>
Control	010/0-10V Wired Installation <i>Requires 2 sets of 0-10V controls. Sold separately</i> WRL/Wireless <i>Requires Light Commissioning Tool. Sold separately.</i>
Input Voltage	120/120 Volt 277/277 VAC Input
Options	MB/Mounting Brackets <i>(Standard with SM and MU)</i>

LIGHT COMMISSIONING TOOL

LCT



Power of C™
(BKSSL®)

Series	LCT/Light Commissioning Tool <i>For use with Wireless (WRL) Control</i> <i>Minimum of (1) one required per project</i>
---------------	---

REMOTE DRIVER HOUSING PM3RM™

PM3RM



Power of C™
(BKSSL®)

Series	PM3RM/Universal Power Module™ 3 Remote <i>(specify fixture separately)</i>
Mounting	TS-Length/TS - Length - Tree Strap™ <i>(Specify Adjustable Strap Length. Minimum 3" Adjustable Strap (Standard))</i> SM/Surface Mount CR/Round Camlock™
Driver Type	DC25/25W Driver <i>For use with Power of C™ fixtures</i>
Control	010/0-10V Wired Installation <i>Requires 2 sets of 0-10V controls. Sold separately</i> WRL/Wireless <i>Requires Light Commissioning Tool. Sold separately.</i>
Input Voltage	120/120 Volt 277/277 VAC Input
Options	MB/Mounting Brackets <i>(Standard with SM and MU)</i>

REMOTE DRIVER HOUSING PM3DRM™

PM3DRM



Power of C™
(BKSSL®)

Series	PM3DRM/Universal Power Module™ 3 Dual Remote <i>(specify fixture separately)</i>
Mounting	TS-Length/TS - Length - Tree Strap™ <i>(Specify Adjustable Strap Length. Minimum 3" Adjustable Strap (Standard))</i> SM/Surface Mount CR/Round Camlock™
Driver Type	DC25/(2) 25W Drivers <i>For use with Power of C™ fixtures</i>
Control	010/0-10V Wired Installation <i>Requires 2 sets of 0-10V controls. Sold separately</i> WRL/Wireless <i>Requires Light Commissioning Tool. Sold separately.</i>
Input Voltage	120/120 Volt 277/277 VAC Input
Options	MB/Mounting Brackets <i>(Standard with SM and MU)</i>

LEDS

POWER OF E



LM79 DATA

B-K No.	CCT (Typ.)	Input Watts (Typ.)	CRI (Typ.)
e39	2700K White	2.8	90
e40	3100K White	2.8	90
e41	4100K White	2.8	75
e45	Amber (592nm)	2.8	~

For use with MD, MI, LT, LT-L, LT-T, and CS
Designed for use with BKSSL® Transformer

L70 DATA

Minimum Rated Life (hrs.) 70% of initial lumens (L70)
50,000
50,000
50,000
50,000

OPTICAL DATA

Beam Type	Angle
Radial	360°h x 270°v
Radial	360°h x 270°v
Radial	360°h x 270°v
Radial	360°h x 270°v

LM79 DATA

B-K No.	CCT (Typ.)	Input Watts (Typ.)	CRI (Typ.)
e38	2700K	3.0	90
e10	3100K	3.0	90
e11	4100K	3.0	75
e15	Amber (590nm)	2.8	~

L70 DATA

Minimum Rated Life (hrs.) 70% of initial lumens (L70)
50,000
50,000
50,000
50,000

OPTICAL DATA

Beam Type	Angle	Visual Indicator
Spot	16°	Green Dot
Flood	33°	Blue Dot

DRIVER DATA

Input Volts	InRush Current	Dimmable	Operation Ambient Temperature
12VAC/DC 50/60Hz	<1A (non-dimmed)	Magnetic Low Voltage Dimmer	-10°F-130°F

For use with MM, RM-MM, SN-A-MM, ST-A-MM, SN-B-MM, ST-B-MM, SN-L-MM, ST-C-MM, SF-B-MM, TF-B-MM, SF-L-MM, TF-C-MM, DM, YM, OM, SM-MM, PM-MM, and WM-MM
Designed for use with BKSSL® Transformer

LM79 DATA

B-K No.	CCT (Typ.)	Input Watts (Typ.)	CRI (Typ.)
e59	2700K	6.0	90
e58	3100K	6.0	90
e59	4100K	6.0	75

For use with DR2-LED
Designed for use with BKSSL® Transformer

L70 DATA

Minimum Rated Life (hrs.) 70% of initial lumens (L70)
50,000
50,000
50,000

LM79 DATA

B-K No.	CCT (Typ.)	Input Watts (Typ.)	CRI (Typ.)
e37	2700K	8.3	90
e16	3100K	8.3	90
e17	4100K	8.3	75
e21	Amber (590nm)	7.8	~

L70 DATA

Minimum Rated Life (hrs.) 70% of initial lumens (L70)
50,000
50,000
50,000
50,000

OPTICAL DATA

Beam Type	Angle	Visual Indicator
Spot	20°	Green Dot
Narrow Flood	25°	Yellow Dot
Flood	30°	Blue Dot

DRIVER DATA

Input Volts	InRush Current	Dimmable	Operation Ambient Temperature
12VAC/DC 50/60Hz	<1A (non-dimmed)	Magnetic Low Voltage Dimmer	-10°F-130°F

For use with MN, RM-MN, SN-A-MN, ST-A-MN, SN-B-MN, ST-B-MN, SN-C-MN, ST-C-MN, SN-L-MN, SF-B-MN, TF-B-MN, SF-C-MN, TF-C-MN, SF-L-MN, CH, CHL, YS, YSL, PM-MN, WM-MN, and TT
Designed for use with BKSSL® Transformer



ADJUST-e-LUME®

LEDS

LM79 DATA

B-K No.	CCT (Typ.)	Input Watts (Typ.)	CRI (Typ.)	Minimum Rated Life (hrs.) 70% of initial lumens (L70)
e36	2700K	8.4	90	50,000

For use with AR-RM, AR-TR, AW, BQ, BQL, BS, BSL, CO2, CO2-OS, DS, EC, ED, GD, GL, GQ, HP2, HP2-OS, NS, NSII, PM, PS, PSL, RM-AR, SF-B, SF-C, SF-L, SM-AR, SN-A, SN-B, SN-C, SN-D, SN-L, SQ, SQL, SS, SSL, ST-A, ST-B, ST-C, SW, TF-B, TF-C, UL-AR, VB, VBL, VQ, VQL, VS, VSL, WM, WS
Designed for use with BKSSL® Transformer

L70 DATA

*OPTICAL DATA

Beam Type	Angle	Visual Indicator
Narrow Spot	14°	Red Dot
Spot	18°	Green Dot
Medium Flood	25°	Yellow Dot
Wide Flood	36°	Blue Dot

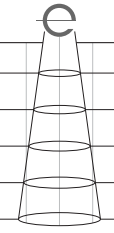
DRIVER DATA

Input Volts	InRush Current	Dimmable	Operation Ambient Temperature
12VAC/DC 50/60Hz	<1A (non-dimmed)	Magnetic Low Voltage Dimmer	-10°F-130°F

2.7K

NARROW SPOT

ADJUST-E-LUME FOOTCANDLES



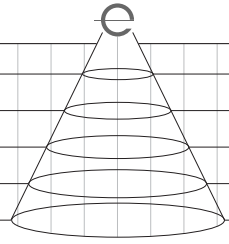
DISTANCE	1	2	3	4	5	6	7	8	9
4'	60.4	77.7	125.8	158.6	190.4	222.1	229.2	233	233.2
8'	15.1	19.4	31.4	39.7	47.6	55.5	57.3	58.3	58.3
12'	6.7	8.6	14	17.6	21.2	24.7	25.5	25.9	25.9
16'	3.8	4.9	7.9	9.9	11.9	13.9	14.3	14.6	14.6
20'	2.4	3.1	5	6.3	7.6	8.9	9.2	9.3	9.3

4' 2' 0' 2' 4'

Note: If using No.11 honeycomb baffle multiply footcandle values by .80

SPOT

ADJUST-E-LUME FOOTCANDLES



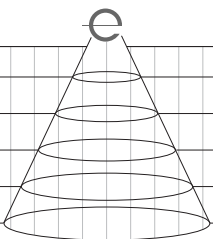
DISTANCE	1	2	3	4	5	6	7	8	9
4'	40.9	52.1	83.4	107.8	131.9	148.1	153.1	157.5	157.8
8'	10.2	13	20.9	26.9	33	37	38.3	39.4	39.4
12'	4.5	5.8	9.3	12	14.7	16.5	17	17.5	17.5
16'	2.6	3.3	5.2	6.7	8.2	9.3	9.6	9.8	9.9
20'	1.6	2.1	3.3	4.3	5.3	5.9	6.1	6.3	6.3

8' 6' 4' 2' 0' 2' 4' 6' 8'

Note: If using No.11 honeycomb baffle multiply footcandle values by .80

MEDIUM FLOOD

ADJUST-E-LUME FOOTCANDLES



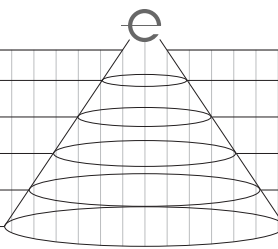
DISTANCE	1	2	3	4	5	6	7	8	9
4'	23.6	32.1	49.3	62.2	77.1	85.8	88.9	89.5	90.5
8'	5.9	8	12.3	15.5	19.3	21.5	22.2	22.4	22.6
12'	2.6	3.6	5.5	6.9	8.6	9.5	9.9	9.9	10.1
16'	1.5	2	3.1	3.9	4.8	5.4	5.6	5.6	5.7
20'	.9	1.3	2	2.5	3.1	3.4	3.6	3.6	3.6

10' 8' 6' 4' 2' 0' 2' 4' 6' 8' 10'

Note: If using No.11 honeycomb baffle multiply footcandle values by .80

WIDE FLOOD

ADJUST-E-LUME FOOTCANDLES



DISTANCE	1	2	3	4	5	6	7	8	9
4'	10.9	14.8	22.3	28.6	34.3	39.9	41.1	42.2	42.3
8'	2.7	3.7	5.6	7.2	8.6	10	10.3	10.5	10.6
12'	1.2	1.6	2.5	3.2	3.8	4.4	4.6	4.7	4.7
16'	.7	.9	1.4	1.8	2.1	2.5	2.6	2.6	2.6
20'	.4	.6	.9	1.1	1.4	1.6	1.6	1.7	1.7

14' 12' 10' 8' 6' 4' 2' 0' 2' 4' 6' 8' 10' 12' 14'

Note: If using No.11 honeycomb baffle multiply footcandle values by .80

LEDs | ADJUST-e-LUME®



LM79 DATA

B-K No.	CCT (Typ.)	Input Watts (Typ.)	CRI (Typ.)
e22	3100K	8.4	90

For use with AR-RM, AR-TR, AW, BQ, BQL, BS, BSL, CO2, CO2-OS, DS, EC, ED, GD, GL, GQ, HP2, HP2-OS, NS, NSII, PM, PS, PSL, RM-AR, SF-B, SF-C, SF-L, SM-AR, SN-A, SN-B, SN-C, SN-D, SN-L, SQ, SQL, SS, SSL, ST-A, ST-B, ST-C, SW, TF-B, TF-C, UL-AR, VB, VBL, VQ, VQL, VS, VSL, WM, WS
 Designed for use with BKSSL® Transformer

L70 DATA

Minimum Rated Life (hrs.) 70% of initial lumens (L70)
50,000

*OPTICAL DATA

Beam Type	Angle	Visual Indicator
Narrow Spot	14°	Red Dot
Spot	18°	Green Dot
Medium Flood	25°	Yellow Dot
Wide Flood	36°	Blue Dot

DRIVER DATA

Input Volts	InRush Current	Dimmable	Operation Ambient Temperature
12VAC/DC 50/60Hz	<1A (non-dimmed)	Magnetic Low Voltage Dimmer	-10°F-130°F

3K

NARROW SPOT

ADJUST-E-LUME FOOTCANDLES

DISTANCE	1	2	3	4	5	6	7	8	9
4'	60.3	73.6	121.3	152.8	183.1	220.9	228.2	231.6	232.8
8'	15.1	18.4	30.3	38.2	45.8	55.2	57	57.9	58.2
12'	6.7	8.2	13.5	17	20.3	24.5	25.4	25.7	25.9
16'	3.8	4.6	7.6	9.6	11.4	13.8	14.3	14.5	14.6
20'	2.4	2.9	4.9	6.1	7.3	8.8	9.1	9.3	9.3

4' 2' 0' 2' 4'

Note: If using No.11 honeycomb baffle multiply footcandle values by .80

SPOT

ADJUST-E-LUME FOOTCANDLES

DISTANCE	1	2	3	4	5	6	7	8	9
4'	40.6	52.7	78.1	102.3	121.9	149.1	153.1	156	157.8
8'	10.2	13.2	19.5	25.6	30.5	37.3	38.3	39	39.4
12'	4.5	5.9	8.7	11.4	13.5	16.6	17	17.3	17.5
16'	2.5	3.3	4.9	6.4	7.6	9.3	9.6	9.8	9.9
20'	1.6	2.1	3.1	4.1	4.9	6	6.1	6.2	6.3

8' 6' 4' 2' 0' 2' 4' 6' 8'

Note: If using No.11 honeycomb baffle multiply footcandle values by .80

MEDIUM FLOOD

ADJUST-E-LUME FOOTCANDLES

DISTANCE	1	2	3	4	5	6	7	8	9
4'	23.8	29.5	47	60.2	73.3	85.1	86.4	91.2	92.2
8'	6	7.4	11.8	15	18.3	21.3	21.6	22.8	23
12'	2.6	3.3	5.2	6.7	8.1	9.5	9.6	10.1	10.2
16'	1.5	1.8	2.9	3.8	4.6	5.3	5.4	5.7	5.8
20'	1	1.2	1.9	2.4	2.9	3.4	3.5	3.6	3.7

10' 8' 6' 4' 2' 0' 2' 4' 6' 8' 10'

Note: If using No.11 honeycomb baffle multiply footcandle values by .80

WIDE FLOOD

ADJUST-E-LUME FOOTCANDLES

DISTANCE	1	2	3	4	5	6	7	8	9
4'	11.1	13.4	22.2	26.8	31.7	39	41.9	42.6	42.7
8'	2.8	3.4	5.5	6.7	7.9	9.8	10.5	10.7	10.7
12'	1.2	1.5	2.5	3	3.5	4.3	4.7	4.7	4.7
16'	.7	.8	1.4	1.7	2	2.4	2.6	2.7	2.7
20'	.4	.5	.9	1.1	1.3	1.6	1.7	1.7	1.7

14' 12' 10' 8' 6' 4' 2' 0' 2' 4' 6' 8' 10' 12' 14'

Note: If using No.11 honeycomb baffle multiply footcandle values by .80



ADJUST-e-LUME®

LEDS

LM79 DATA

B-K No.	CCT (Typ.)	Input Watts (Typ.)	CRI (Typ.)
e23	4100K	8.4	75

For use with AR-RM, AR-TR, AW, BQ, BQL, BS, BSL, CO2, CO2-OS, DS, EC, ED, GD, GL, GQ, HP2, HP2-OS, NS, NSII, PM, PS, PSL, RM-AR, SF-B, SF-C, SF-L, SM-AR, SN-A, SN-B, SN-C, SN-D, SN-L, SQ, SQL, SS, SSL, ST-A, ST-B, ST-C, SW, TF-B, TF-C, UL-AR, VB, VBL, VQ, VQL, VS, VSL, WM, WS
Designed for use with BKSSL® Transformer

L70 DATA

Minimum Rated Life (hrs.) 70% of initial lumens (L70)
50,000

*OPTICAL DATA

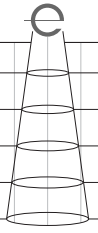
Beam Type	Angle	Visual Indicator
Narrow Spot	14°	Red Dot
Spot	18°	Green Dot
Medium Flood	25°	Yellow Dot
Wide Flood	36°	Blue Dot

DRIVER DATA

Input Volts	InRush Current	Dimmable	Operation Ambient Temperature
12VAC/DC 50/60Hz	<1A (non-dimmed)	Magnetic Low Voltage Dimmer	-10°F-130°F

4K

NARROW SPOT



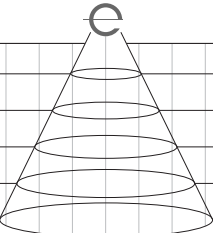
DISTANCE	1	2	3	4	5	6	7	8	9
4'	68.6	91.9	138.6	172.9	212.1	251.3	259.2	263.8	264.3
8'	17.1	23	34.7	43.2	53	62.8	64.8	66	66.1
12'	7.6	10.2	15.4	19.2	23.6	27.9	28.8	29.3	29.4
16'	4.3	5.7	8.7	10.8	13.3	15.7	16.2	16.5	16.5
20'	2.7	3.7	5.5	6.9	8.5	10.1	10.4	10.6	10.6

4' 2' 0' 2' 4'

Note: If using No.11 honeycomb baffle multiply footcandle values by .80

ADJUST-E-LUME FOOTCANDLES

SPOT



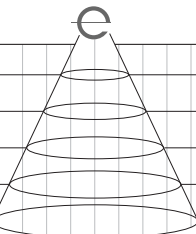
DISTANCE	1	2	3	4	5	6	7	8	9
4'	47	59.6	93.6	118.9	150.3	170.1	176.3	178.3	178.6
8'	11.8	14.9	23.4	29.7	37.6	42.5	44.1	44.6	44.6
12'	5.2	6.6	10.4	13.2	16.7	18.9	19.6	19.8	19.8
16'	2.9	3.7	5.9	7.4	9.4	10.6	11	11.1	11.2
20'	1.9	2.4	3.7	4.8	6	6.8	7.1	7.1	7.1

8' 6' 4' 2' 0' 2' 4' 6' 8'

Note: If using No.11 honeycomb baffle multiply footcandle values by .80

ADJUST-E-LUME FOOTCANDLES

MEDIUM FLOOD



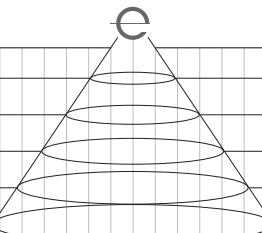
DISTANCE	1	2	3	4	5	6	7	8	9
4'	26.9	34.2	55	69.3	81.9	94.7	100.6	101.6	102.4
8'	6.7	8.5	13.8	17.3	20.5	23.7	25.2	25.4	25.6
12'	3	3.8	6.1	7.7	9.1	10.5	11.2	11.3	11.4
16'	1.7	2.1	3.4	4.3	5.1	5.9	6.3	6.4	6.4
20'	1.1	1.4	2.2	2.8	3.3	3.8	4	4.1	4.1

10' 8' 6' 4' 2' 0' 2' 4' 6' 8' 10'

Note: If using No.11 honeycomb baffle multiply footcandle values by .80

ADJUST-E-LUME FOOTCANDLES

WIDE FLOOD



DISTANCE	1	2	3	4	5	6	7	8	9
4'	12	15.9	23.9	29.3	35.1	42.6	44.4	45.1	45.7
8'	3	4	6	7.3	8.8	10.7	11.1	11.3	11.4
12'	1.3	1.8	2.7	3.3	3.9	4.7	4.9	5	5.1
16'	.8	1	1.5	1.8	2.2	2.7	2.8	2.8	2.9
20'	.5	.6	1	1.2	1.4	1.7	1.8	1.8	1.8

14' 12' 10' 8' 6' 4' 2' 0' 2' 4' 6' 8' 10' 12' 14'

Note: If using No.11 honeycomb baffle multiply footcandle values by .80

ADJUST-E-LUME FOOTCANDLES

LEDS | ADJUST-e-LUME®



LM79 DATA

B-K No.	CCT (Typ.)	Input Watts (Typ.)	CRI (Typ.)	Minimum Rated Life (hrs.) 70% of initial lumens (L70)
e27	Amber (590nm)	8	~	50,000

For use with AR-RM, AR-TR, AW, BQ, BQL, BS, BSL, CO2, CO2-OS, DS, EC, ED, GD, GL, GQ, HP2, HP2-OS, NS, NSII, PM, PS, PSL, RM-AR, SF-B, SF-C, SF-L, SM-AR, SN-A, SN-B, SN-C, SN-D, SN-L, SQ, SQL, SS, SSL, ST-A, ST-B, ST-C, SW, TF-B, TF-C, UL-AR, VB, VBL, VQ, VQL, VS, VSL, WM, WS
Designed for use with BKSSL® Transformer

L70 DATA

*OPTICAL DATA

Beam Type	Angle	Visual Indicator
Narrow Spot	14°	Red Dot
Spot	18°	Green Dot
Medium Flood	25°	Yellow Dot
Wide Flood	36°	Blue Dot

DRIVER DATA

Input Volts	InRush Current	Dimmable	Operation Ambient Temperature
12VAC/DC 50/60Hz	<1A (non-dimmed)	Magnetic Low Voltage Dimmer	-10°F-130°F

LEDS | POWER OF X



LM79 DATA

B-K No.	CCT (Typ.)	Input Watts (Typ.)	CRI (Typ.)	Input Watts (Typ.)
x30	2700K	>80	±40K	18
x31	3000K	>80	±50K	18
x32	4000K	>80	±70K	18
x33	2700K	>80	±40K	29
x34	3000K	>80	±50K	29
x35	4000K	>80	±70K	29
x36	2700K	>80	±40K	11
x37	3000K	>80	±50K	11
x38	4000K	>80	±70K	11

For use with DE, AR, HP2, CO2, CK, OL, SN-A-DE, SN-B-DE, ST-B-DE, SN-L-DE, ST-C-DE, SF-B-DE, TF-B-DE, SF-L-DE, TF-C-DE, UL-DE, SM-DE

L70 DATA

OPTICAL DATA

Minimum Rated Life (hrs.) 70% of initial lumens (L70)	Beam Type	Angle
50,000	Spot	20°
50,000	Flood	45°
50,000	Wide Flood	60°
50,000		
50,000		
50,000	Flood	40°
50,000	Wide Flood	60°
50,000		

DRIVER DATA

Type	AC Input Range	Frequency Hz	Dimming	Power Factor	THD	Oper. Ambient Temperature	Dimmer Type	Dimmer Range
D11	120/208/240/277	50/60	YES	>0.92	≤20%	-30° C ~ 50°C	Incandescent	10-100%
D18	120/208/240/277	50/60	YES	>0.96	≤20%	-30° C ~ 60°C	Incandescent	10-100%
D29	120/208/240/277	50/60	YES	>0.96	≤20%	-30° C ~ 60°C	Incandescent	10-100%



Power of 'X'
(BKSSL*)

POWER OF X

LEDS

L70 DATA

OPTICAL DATA

B-K No.	CCT. (Typ.)	CRI (Ra. Typ.)	Color Consistency	Input Watts (Typ.)	Minimum Rated Life (hrs.) 70% of initial lumens (L70)	Beam Type	Angle
x43	2700K	80	±60K	31	50,000	Narrow Spot*	18°
x44	3000K	80	±60K	31	50,000	Narrow Flood	25°
x45	4000K	80	±60K	31	50,000	Flood	40°
x46	2700K	80	±60K	42	50,000	Wide Flood	60°
x47	3000K	80	±60K	42	50,000		
x48	4000K	80	±60K	42	50,000		
x49	2700K	80	±60K	52	50,000		
x50	3000K	80	±60K	52	50,000		
x51	4000K	80	±60K	52	50,000		

*For use with x43, x44, and x45 only

For use with K2, TY2, AP, MA, and SM-AP

DRIVER DATA

Type	AC Input Range	Frequency Hz	Dimming	Power Factor	THD	Oper. Ambient Temperature	Dimmer Type	Dimmer Range
D31	120/208/240/277	50/60	YES	0.9	≤20%	-30° C ~ 50°C	0-10V	1-100%
D42	120/208/240/277	50/60	YES	0.9	≤20%	-30° C ~ 60°C	0-10V	1-100%
D52	120/208/240/277	50/60	YES	>0.9	≤20%	-30° C ~ 60°C	0-10V	10-100%
D31ARC	120/208/240/277	50/60	YES	0.9	≤20%	-20° C ~ 60°C	0-10V	0.1-100%
D42ARC	120/208/240/277	50/60	YES	0.9	≤20%	-20° C ~ 60°C	0-10V	0.1-100%



Power of 'C'
(BKSSL*)

POWER OF C

LEDS

LM79 DATA

L70 DATA

OPTICAL DATA

B-K No.	CCT (Typ.)	CRI (Ra. @ 3000K)	CRI (R9 @ 3000K)	Input Watts (Varies through tunable range)	Minimum Rated Life (hrs.) 70% of initial lumens (L70)	Beam Type	Angle
C25	2700-6000K	93	90K	25W	50,000	Spot	15°
						Flood	30°
						Wide Flood	45°

For use with K2, HP2, and CO2

2 sets of 0-10V controls required. Requires Light Commissioning Tool. Sold Separately.

DRIVER DATA

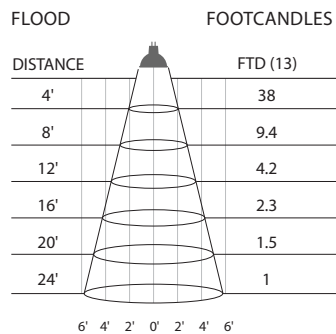
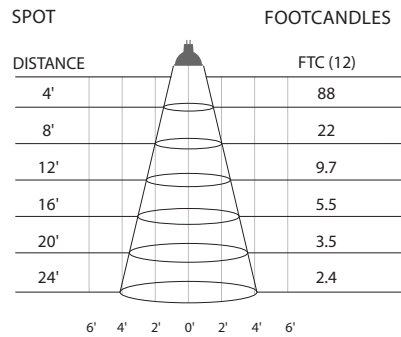
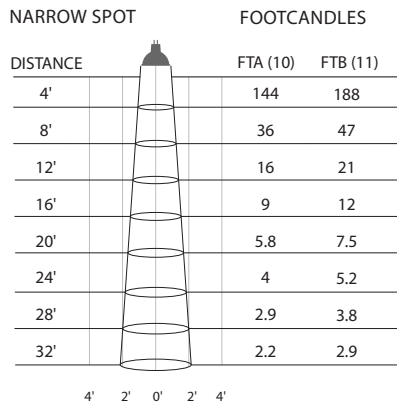
Type	Wiring	AC Input Range	Frequency Hz	Power Factor	THD	Oper. Ambient Temperature
DC25	010	120	50/60	>0.92	≤20%	-30° C ~ 50°C
DC25	WRL	120	50/60	>0.96	≤20%	-30° C ~ 50°C

LAMPS

MR11



B-K No.	Lamp Watts	ANSI Code	Rated Life (hrs.)	Center Beam Candlepower	Beam Angle	Beam Type
10	12	FTA	2,000	2,300	9°	N. Spot
11	20	FTB	2,000	3,000	10°	N. Spot
12	20	FTC	2,000	1,400	17°	Spot
13	20	FTD	2,000	600	30°	Flood



Values are center beam footcandles. Beam width to 50% of center beam footcandles.



MR16 Halogen

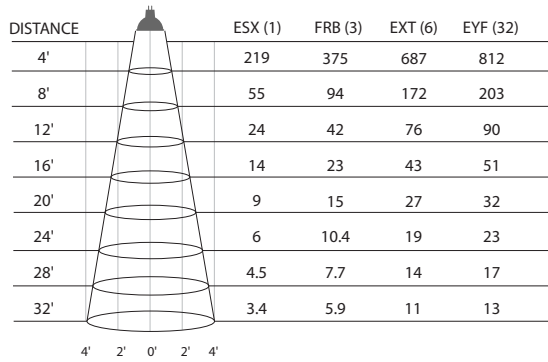
MR16

LAMPS

B-K No.	Lamp Watts	Description	Rated Life (hrs.)	Center Beam Candlepower	Beam Angle	Beam Type
1	20	ESX	4,000	4,000	12°	Spot
2	20	BAB	5,000	600	36°	Flood
3	35	FRB	5,000	6,000	12°	Spot
4	35	FRA	5,000	2,300	24°	Narrow Flood
5	35	FMW	5,000	1,300	36°	Flood
6	50	EXT	5,000	11,000	12°	Spot
7	50	EXZ	6,000	3,200	25°	Narrow Flood
8	50	EXN	5,000	2,000	36°	Flood
9	50	FNV	5,000	850	60°	Wide Flood
32	75	EYF	5,000	13,000	12°	Spot
33	75	EYJ	4,000	5,500	25°	Narrow Flood
34	75	EYC	4,000	2,200	40°	Flood

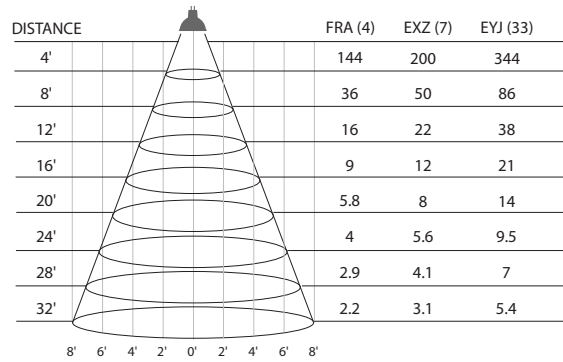
SPOT

FOOTCANDLES



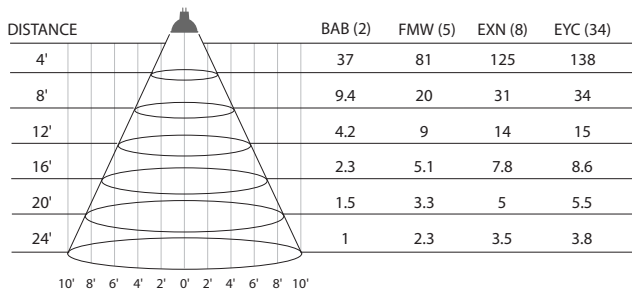
NARROW FLOOD

FOOTCANDLES



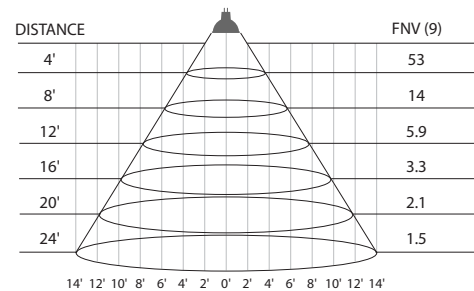
FLOOD

FOOTCANDLES



WIDE FLOOD

FOOTCANDLES



Values are center beam footcandles. Beam width to 50% of center beam footcandles.

LAMPS

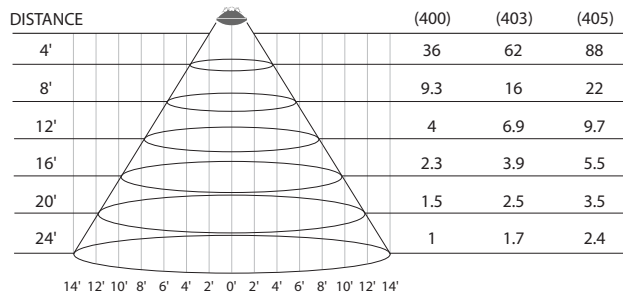
PAR36



B-K No.	Lamp Watts	Description	Rated Life	Beam Angle	Center Beam Candle Power	Beam Type
400	20	20PAR36/H/WFL	4,000	30°	520	Wide Flood
401	36	36PAR36/H/VNSP	4,000	5°	25,000	Very Narrow Spot
402	36	36PAR36/H/NSP	4,000	13°	8,000	Narrow Spot
403	36	36PAR36/H/WFL	4,000	30°	900	Wide Flood
404	50	50PAR36/H/NSP	4,000	6°	40,000	Narrow Spot
405	50	50PAR36/H/WFL	4,000	30°	1,300	Wide Flood

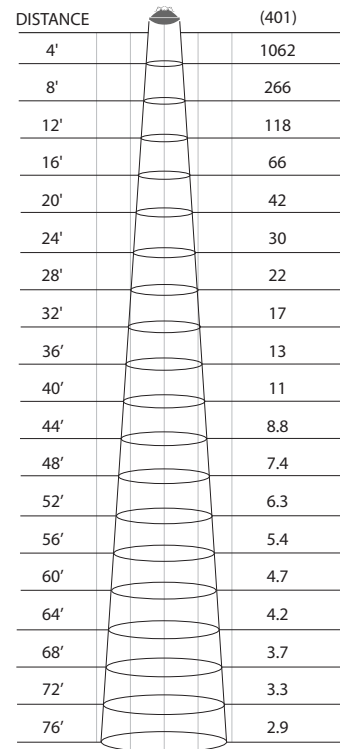
WIDE FLOOD

FOOTCANDLES



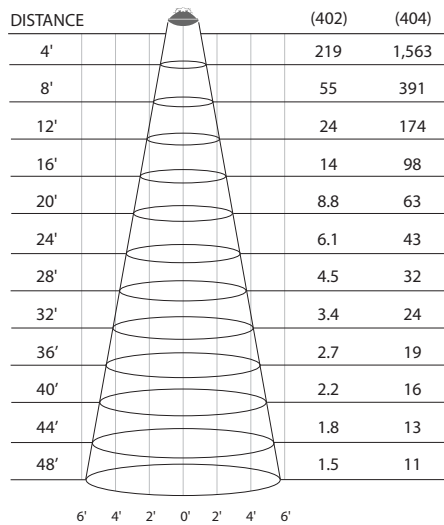
VERY NARROW SPOT

FOOTCANDLES



NARROW SPOT

FOOTCANDLES



Values are center beam footcandles. Beam width to 50% of center beam footcandles.



AR111 Halogen

AR111

LAMPS

B-K No.	Lamp Watts	Description	Rated Life	Center Beam Candlepower	Beam Angle	Beam Type
35	35	AR111/4/VNSP	3,000	35,000	4°	Very Narrow Spot
36	35	AR111/8/SP	3,000	14,000	8°	Spot
38	50	AR111/4/VNSP	3,000	40,000	4°	Very Narrow Spot
39	50	AR111/8/SP	3,000	20,000	8°	Spot
41	75	AR111/8/SP	3,000	30,000	8°	Spot

VERY NARROW SPOT FOOTCANDLES

DISTANCE	(35)	(38)
4'	2187	2500
8'	547	625
12'	243	278
16'	137	156
20'	87	100
24'	61	69
28'	45	51
32'	34	39
36'	27	31
40'	22	25
44'	18	21
48'	15	17
52'	13	15
56'	11	13
60'	9.7	11
64'	8.5	9.8
68'	7.6	8.7
72'	6.8	7.7
76'	6.1	6.9

SPOT FOOTCANDLES

DISTANCE	(36)	(39)	(41)
4'	875	1250	1,875
8'	219	312	469
12'	97	139	208
16'	55	78	117
20'	35	50	75
24'	24	35	52
28'	18	25	38
32'	14	19	29
36'	11	15	23
40'	8.8	12	19
44'	7.2	10	15
48'	6.1	8.7	13
52'	5.2	7.4	11
56'	4.5	6.4	9.6
60'	3.9	5.6	8.3
64'	3.4	4.9	7.3
68'	3	4.3	6.5
72'	2.7	3.9	5.8
76'	2.4	3.5	5.2

Values are center beam footcandles. Beam width to 50% of center beam footcandles.

LAMPS

AR111

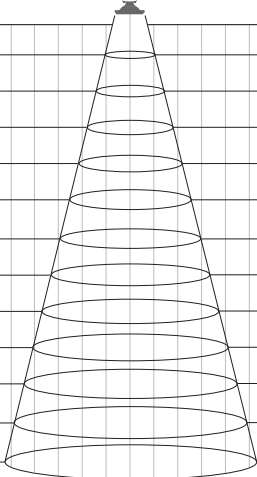


B-K No.	Lamp Watts	Description	Rated Life	Center Beam Candlepower	Beam Angle	Beam Type
37	35	AR111/25/FL	3,000	2,500	25°	Flood
40	50	AR111/25/FL	3,000	4,000	25°	Flood
42	75	AR111/25/FL	3,000	5,300	25°	Flood
43	75	AR111/45/WFL	3,000	1,700	45°	Wide Flood

FLOOD

FOOTCANDLES

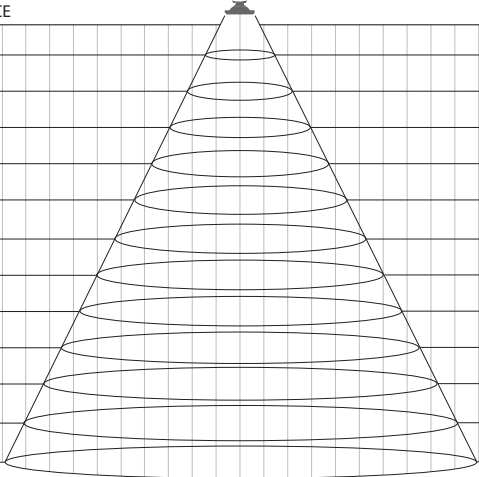
DISTANCE	(37)	(40)	(42)
4'	156	250	331
8'	39	63	83
12'	17	28	37
16'	9.8	16	21
20'	6.3	10	13
24'	4.3	6.9	9.2
28'	3.2	5.1	6.8
32'	2.4	3.9	5.2
36'	1.9	3.1	4.1
40'	1.6	2.5	3.3
44'	1.3	2.1	2.7
48'	1.1	1.7	2.3



WIDE FLOOD

FOOTCANDLES

DISTANCE	(43)
4'	106
8'	27
12'	12
16'	6.6
20'	4.3
24'	3.0
28'	2.2
32'	1.7
36'	1.3
40'	1.0
44'	.9
48'	.7



20' 18' 16' 14' 12' 10' 8' 6' 4' 2' 0' 2' 4' 6' 8' 10' 12' 14' 16' 18' 20'

Values are center beam footcandles. Beam width to 50% of center beam footcandles.



T3 Halogen

T3 LAMPS

B-K No.	Lamp Watts	Description	Rated Life	Initial Lumens
18	5	Q5T3/CL-12V/5W	2,000	60
19	10	Q10T3/CL-12V/10W	2,000	140
20	20	Q20T3/CL-12V/20W	2,000	330



T4 Halogen

T4 LAMPS

B-K No.	Lamp Watts	Description
20	20	T-4/CL-12V
64	35	T-4/CL-12V
65	50	T-4/CL-12V

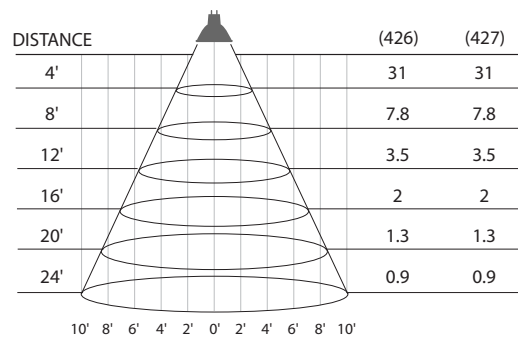
LAMPS

GU10

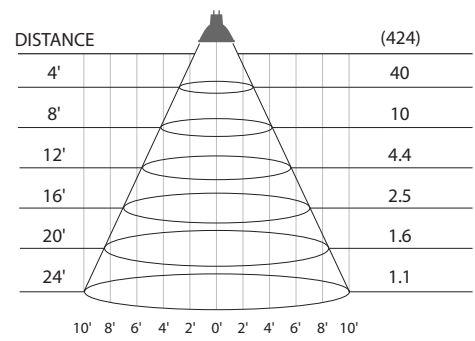


B-K No.	Lamp Watts	Description	Rated Life (hrs.)	Center Beam Candlepower	Beam Angle	Beam Type
425	20	20PAR16/FL25	2,000	230	25°	Flood
426	35	35PAR16/FL30	3,000	500	30°	Flood
427	50	50PAR16/FL30	3,000	500	30°	Flood
424	50	50PAR16/FL40	1,000	640	40°	Flood

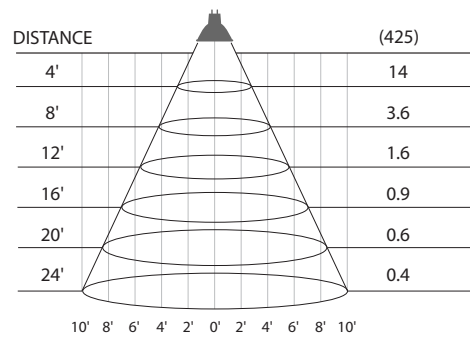
FLOOD 30° FOOTCANDLES



FLOOD 40° FOOTCANDLES



FLOOD 25° FOOTCANDLES



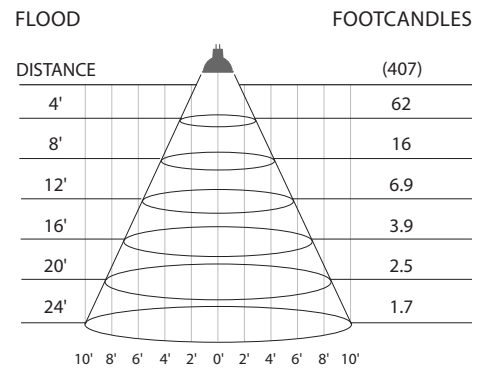
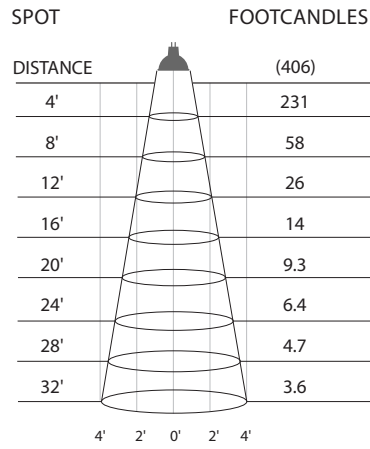
Values are center beam footcandles. Beam width to 50% of center beam footcandles.



PAR20

LAMPS

B-K No.	Lamp Watts	Description	Rated Life (hrs.)	Center Beam Candlepower	Beam Angle	Beam Type
406	39	SP10	1,500	3,700	10°	Spot
407	39	FL30	1,500	1,000	30°	Flood



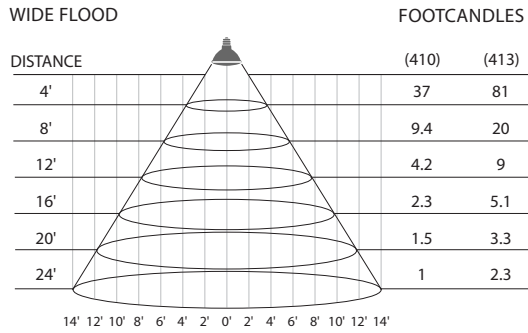
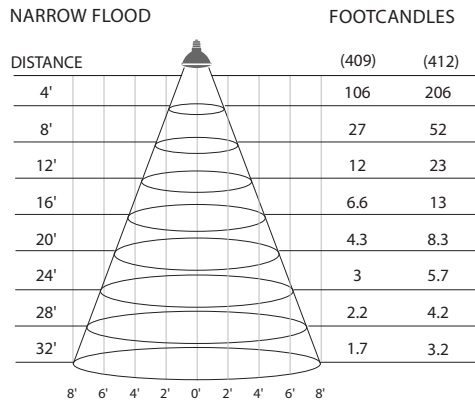
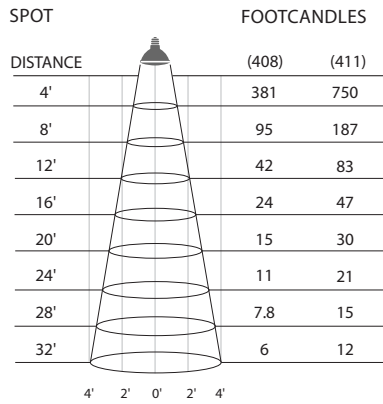
Values are center beam footcandles. Beam width to 50% of center beam footcandles.

LAMPS

PAR30



B-K No.	Lamp Watts	Description	Rated Life	Center Beam Candlepower	Beam Angle	Beam Type
408	39	39PAR30LN/H/SP10	1,500	6,100	10°	Spot
409	39	39PAR30LN/H/NFL25	1,500	1,700	25°	Narrow Flood
410	39	39PAR30LN/H/WFL50	1,500	600	50°	Wide Flood
411	60	60PAR30LN/H/SP10	1,500	12,000	10°	Spot
412	60	60PAR30LN/H/NFL25	1,500	3,300	25°	Narrow Flood
413	60	60PAR30LN/H/WFL50	1,500	1,300	50°	Wide Flood



Values are center beam footcandles. Beam width to 50% of center beam footcandles.

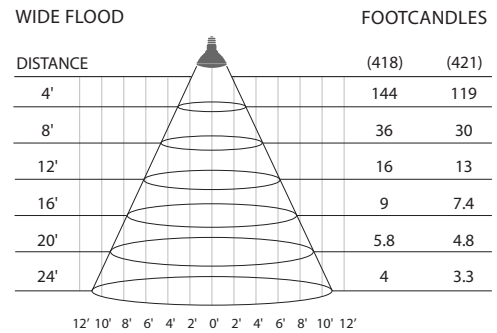
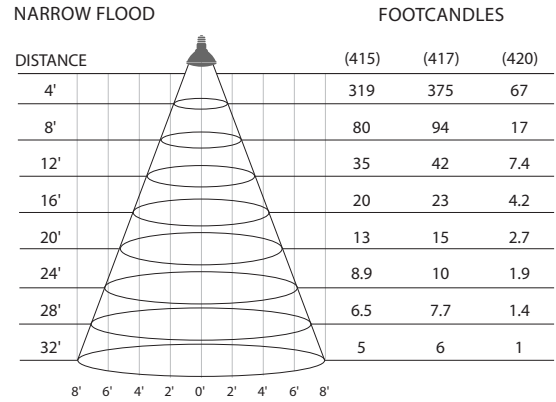
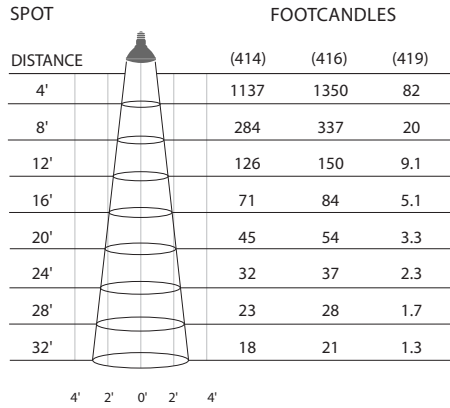


PAR38 Halogen

PAR38

LAMPS

B-K No.	Lamp Watts	Description	Rated Life	Center Beam Candlepower	Beam Angle	Beam Type
414	70	70PAR38/H/SP10	1,500	18,200	10°	Spot
415	70	70PAR38/H/NFL25	1,500	5,100	25°	Narrow Flood
416	80	80PAR38/H/SP10	1,500	21,600	10°	Spot
417	80	80PAR38/H/NFL25	1,500	6,000	25°	Narrow Flood
418	80	80PAR38/H/WF50	1,500	2,300	50°	Wide Flood
419	60	60PAR38/H/SP10	1,500	1,310	10°	Spot
420	60	60PAR38/H/NFL25	1,500	1,070	25°	Narrow Flood
421	70	70PAR38/H/WF50	1,500	1,900	50°	Wide Flood



Values are center beam footcandles. Beam width to 50% of center beam footcandles.

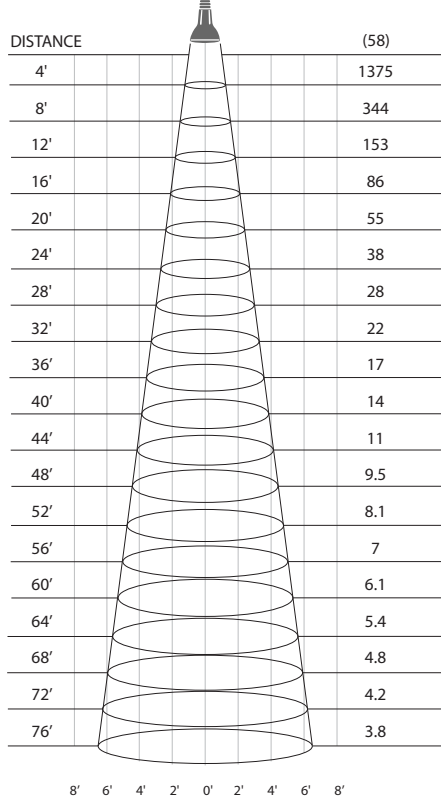
LAMPS

PAR20MH

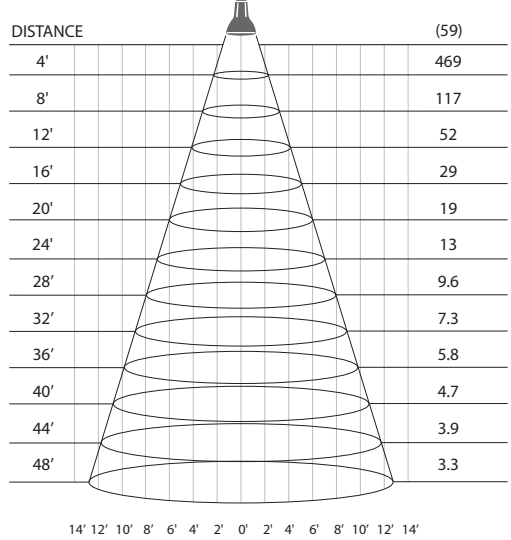


B-K No.	Lamp Watts	Description	Rated Life	Center Beam Candlepower	CRI	CCT(K)	Beam Angle	Beam Type
58	35	35PAR20/MH/SP	10,000	22,000	84	3,000	10°	Spot
59	35	35PAR20/MH/FL	10,000	7,500	84	3,000	25°	Flood

SPOT FOOTCANDLES



FLOOD FOOTCANDLES



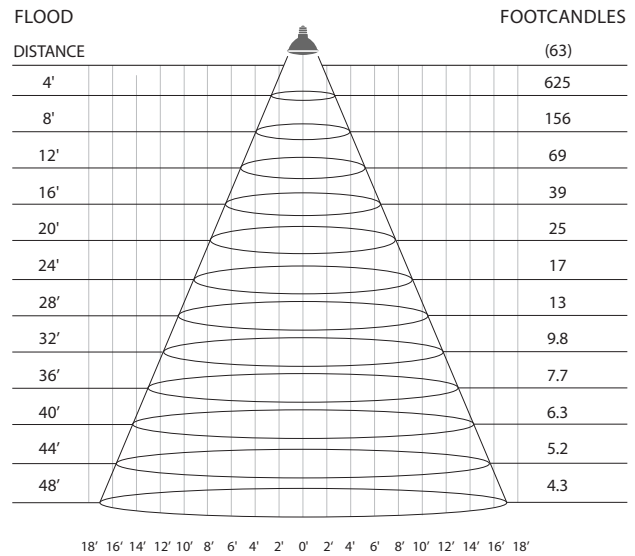
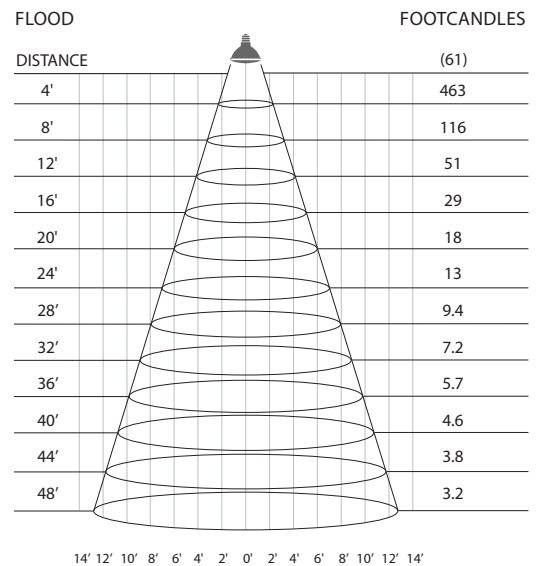
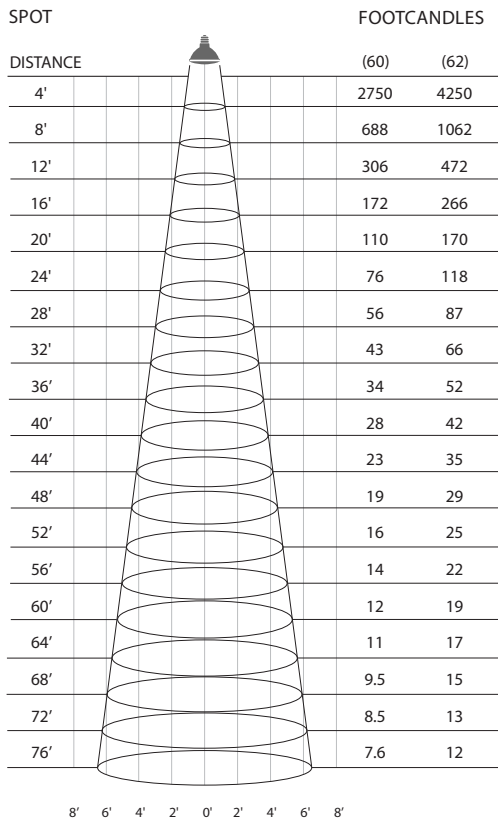
Values are center beam footcandles. Beam width to 50% of center beam footcandles.



PAR30MH

LAMPS

B-K No.	Lamp Watts	Description	Rated Life	Beam Angle	Center Beam Candlepower
60	35	35PAR30L/MH/SP	9,000	10°	44,000
61	35	35PAR30L/MH/FL	9,000	30°	7,400
62	70	70PAR30L/MH/SP	9,000	10°	68,000
63	70	70PAR30L/MH/FL	13,000	40°	10,000



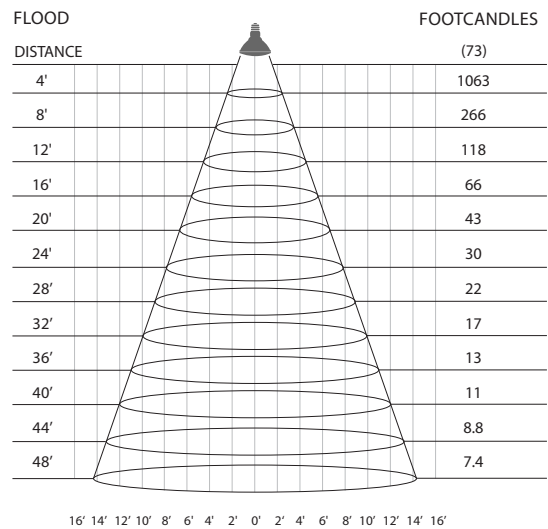
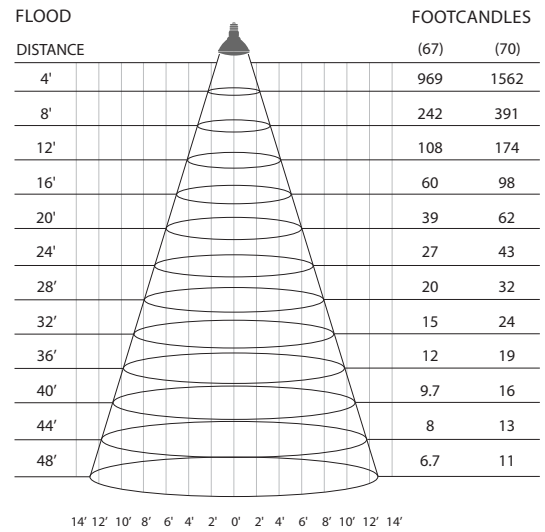
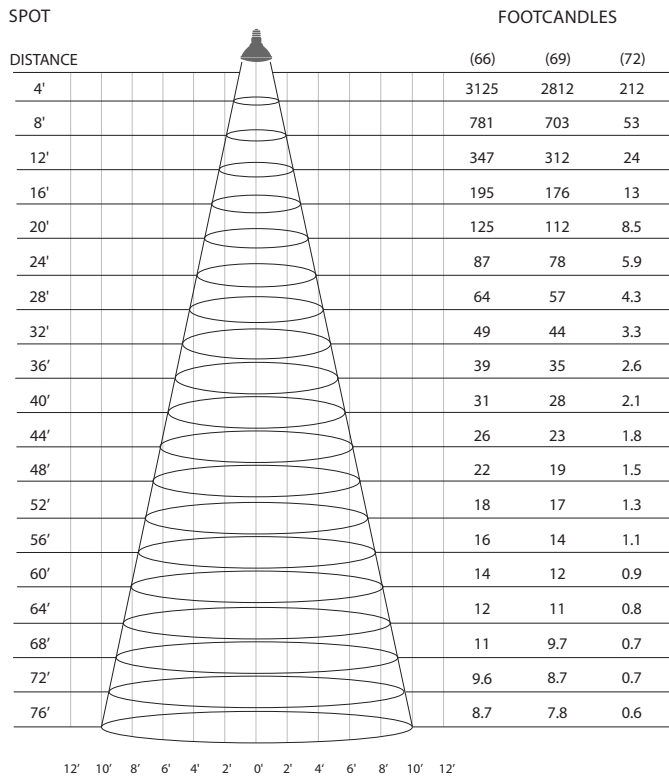
Values are center beam footcandles. Beam width to 50% of center beam footcandles.

LAMPS

PAR38MH



B-K No.	Lamp Watts	Description	Rated Life	Center Beam Candlepower	Beam Angle	Beam Type
66	70	70PAR38/MH/SP	10,000	50,000	15°	Spot
67	70	70PAR38/MH/FL	15,000	15,500	25°	Flood
69	100	100PAR38/MH/SP	10,000	45,000	15°	Spot
70	100	100PAR38/MH/FL	15,000	25,000	25°	Flood
72	150	150PAR38/MH/SP	8,500	34,000	20°	Spot
73	150	150PAR38/MH/FL	8,500	17,000	35°	Flood



Values are center beam footcandles. Beam width to 50% of center beam footcandles.



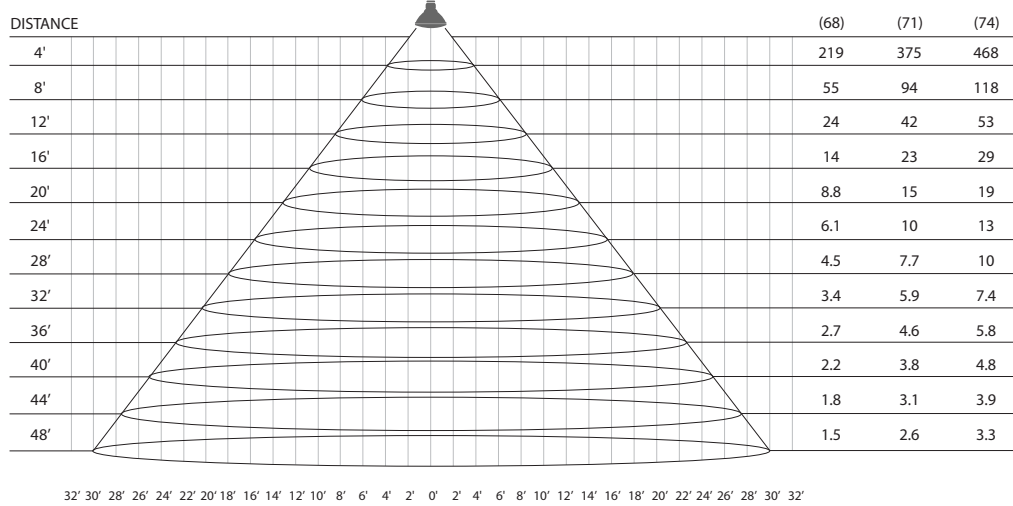
PAR38MH

LAMPS

B-K No.	Lamp Watts	Description	Rated Life	Center Beam Candlepower	Beam Angle	Beam Type
68	70	70PAR38/MH/WFL	15,000	3,500	65°	Wide Flood
71	100	100PAR38/MH/WFL	15,000	6,000	65°	Wide Flood
74	150	150PAR38/MH/WFL	8,500	7,500	65°	Wide Flood

WIDE FLOOD

FOOTCANDLES



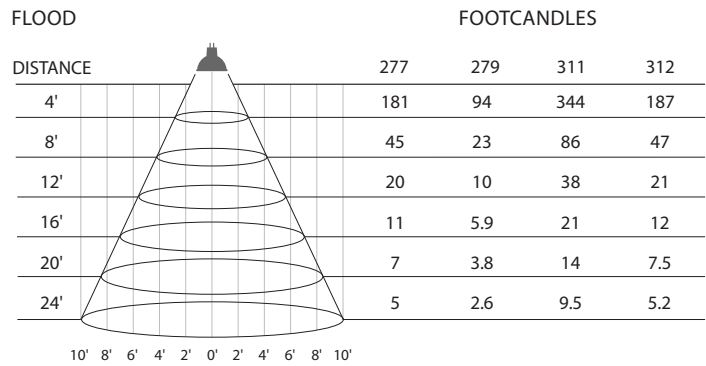
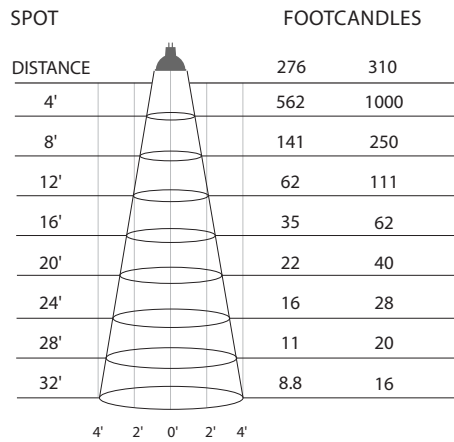
Values are center beam footcandles. Beam width to 50% of center beam footcandles.

LAMPS

ES16MH



B-K No.	Lamp Watts	Description	Rated Life	Center Beam Candlepower	Beam Angle	Beam Type	CRI	CCT(K)
276	20	CMH20MR16/830/SP	12,000	9,000	12°	Spot	81	3000
277	20	CMH20MR16/830/FL	12,000	2,900	25°	Flood	81	3000
279	20	CMH20MR16/830/FL	12,000	1,500	40°	Flood	81	3000
310	35	CMH35MR16/930/SP	10,000	16,000	12°	Spot	90	3000
311	35	CMH35MR16/930/FL	10,000	5,500	25°	Flood	90	3000
312	35	CMH35MR16/930/FL	10,000	3,000	40°	Flood	90	3000



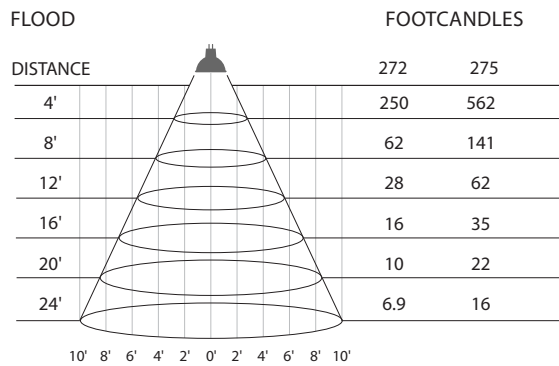
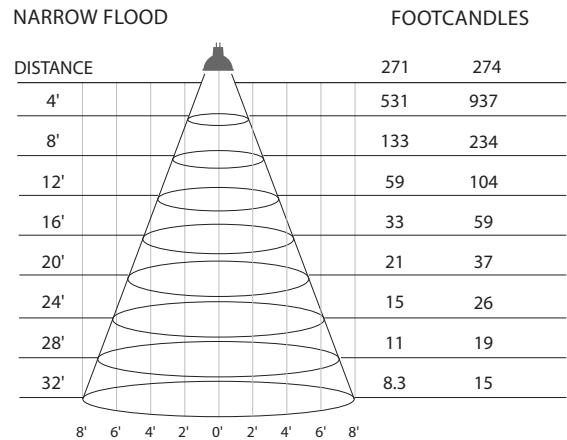
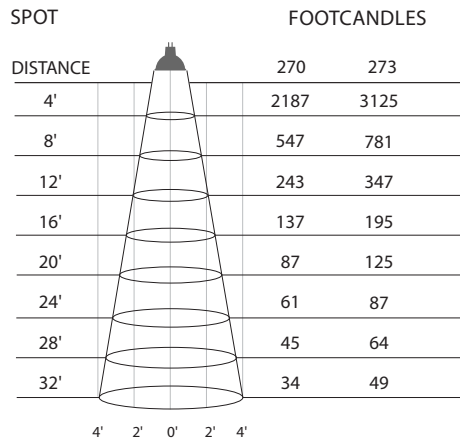
Values are center beam footcandles. Beam width to 50% of center beam footcandles.



CDM-R111

LAMPS

B-K No.	Lamp Watts	Description	Rated Life	Center Beam Candlepower	Beam Angle	Beam Type	CRI	CCT(K)
270	35	35W/CDM-R111/830MH/SP	11,000	35,000	10°	Spot	81	3000
271	35	35W/CDM-R111/830MH/NFL	11,000	8,500	24°	Narrow Flood	81	3000
272	35	35W/CDM-R111/830MH/FL	11,000	4,000	40°	Flood	81	3000
273	70	70W/CDM-R111/830MH/SP	9,000	50,000	10°	Spot	84	3000
274	70	70W/CDM-R111/830MH/NFL	9,000	15,000	24°	Narrow Flood	84	3000
275	70	70W/CDM-R111/830MH/FL	9,000	9,000	40°	Flood	84	3000



Values are center beam footcandles. Beam width to 50% of center beam footcandles.

LAMPS

T4MH



T4 Metal Halide

B-K No.	Lamp Watts	Description	Rated Life	Initial Lumens	Mean Lumens	CRI	CCT(K)
347	35	CMH39T/U/830/GU6.5	10,000	3,400	2,300	88	3,000

LAMPS

T4.5MH



T4.5 Metal Halide

B-K No.	Lamp Watts	Description	Rated Life	Initial Lumens	Mean Lumens	CRI	CCT(K)
278	20	CMH20T/U/830/G8.5	12,000	1,600	1,200	81	3,000
314	35	CMH39T/U/830/G8.5	15,000	3,400	2,300	84	3,000

LAMPS

T6MH



T6 Metal Halide

B-K No.	Lamp Watts	Description	Rated Life	Initial Lumens	Mean Lumens	CRI	CCT(K)
81	35	35T6/MH/830	12,000	3,300	2,600	81	3,000
82	70	70T6/MH/830	12,000	6,600	4,950	82	3,000
139	150	150T6/MH/830	12,000	14,000	9,800	85	3,000



E17 Metal Halide

E17MH

LAMPS

B-K No.	Lamp Watts	Description	Rated Life	Initial Lumens	Mean Lumens	CRI	CCT(K)
106	50	50W/E-17/MH/MED/Clear	10,000	4,100	2,750	85	3,000
107	50	50W/E-17/MH/MED/Diffuse	10,000	3,800	2,545	85	3,000
110	70	70W/E-17/MH/MED/Clear	16,000	6,200	4,585	85	3,000
111	70	70W/E-17/MH/MED/Diffuse	16,000	5,800	4,290	85	3,000
114	100	100W/E-17/MH/MED/Clear	16,000	9,500	7,125	85	3,000
115	100	100W/E-17/MH/MED/Diffuse	16,000	8,800	6,600	85	3,000
116	150	150W/E-17/MH/MED/Clear	20,000	13,000	9,750	92	4,000
117	150	150W/E-17/MH/MED/Diffuse	20,000	12,000	9,000	92	4,000

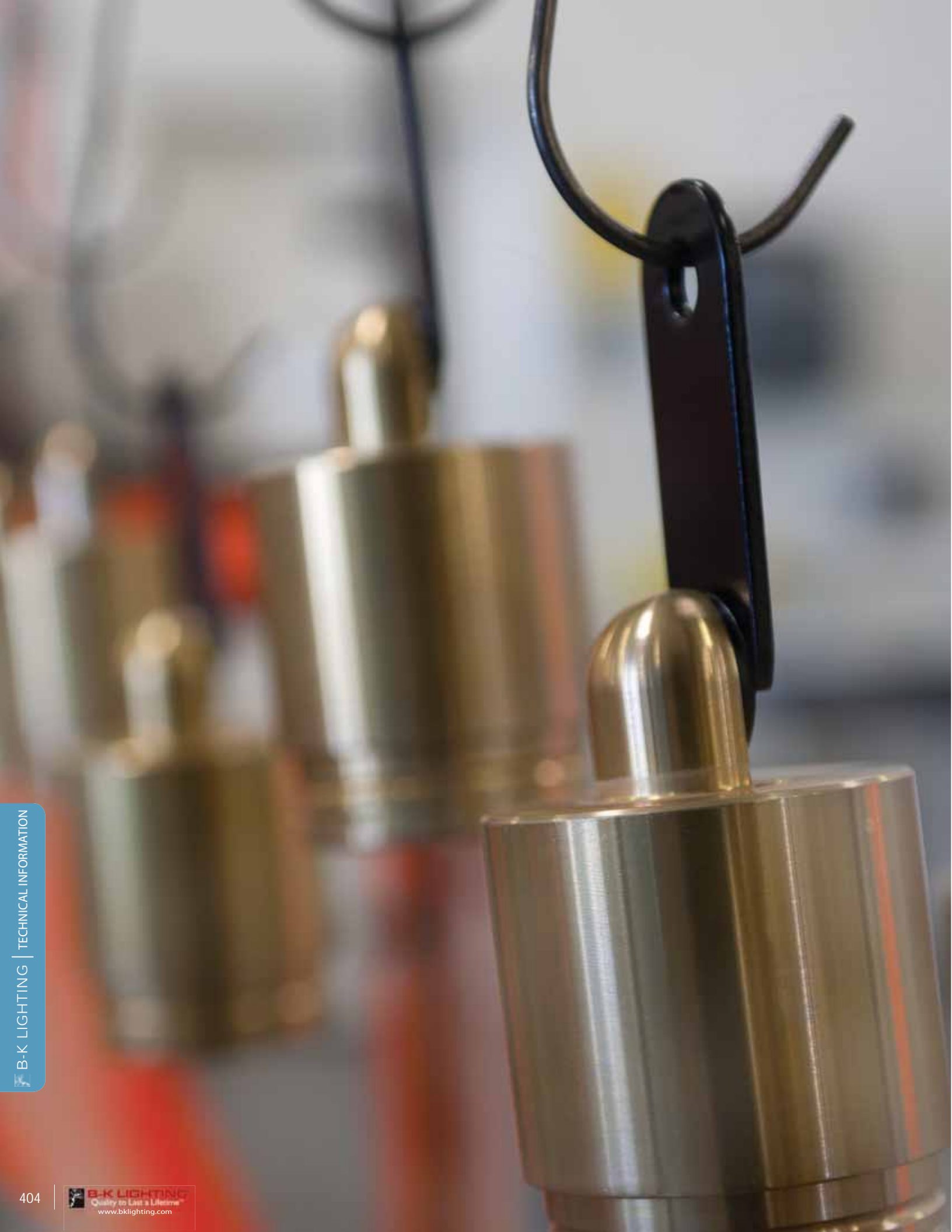


Compact Fluorescent

CF

LAMPS

B-K No.	Lamp Watts	Description	Rated Life	Initial Lumens	Design Lumens	CRI	CCT(K)
100	18	Triple Twin Tube/GX24q-2(18W)	12,000	1,200	1,020	82	3,000
101	26	Triple Twin Tube/GX24q-3(26W)	12,000	1,800	1,530	82	3,000
102	32	Triple Twin Tube/GX24q-3(32W)	12,000	2,400	2,040	82	3,000
103	42	Triple Twin Tube/GX24q-4(42W)	12,000	3,200	2,720	82	3,000



SUPERIOR

CORROSION PROTECTION RoHS



ITS IMPORTANCE

For years, aluminum has been the construction material of choice in outdoor architectural and landscape lighting. But for these fixtures to survive they must be protected against the elements. Atmospheric corrosion from acid rain, marine environments, high alkaline soils, high heat and humidity can all cause parts to fail.

That is why all B-K Lighting aluminum fixtures are protected against corrosion with StarGuard®, our exclusive process. StarGuard® seals components, both inside and out, before they are finished with a polyester TGIC powder coat. Proper cleaning and preparation of the aluminum surface is, in fact, more important to the durability of the product than the powder coat itself.

WHAT IS STARGUARD®?

StarGuard® cleans and conversion coats the aluminum part prior to powder coating. Our exclusive 15-stage process includes cleaning, curing, and physical inspection, resulting in the most effective corrosion inhibition possible. Conversion coating actually changes the surface of the metal to increase corrosion resistance and “grip” the powder coat. However, unlike toxic chromate-based processes, whose hazardous substances pollute the environment, StarGuard® is completely safe and environmentally responsible.



Aluminum before (top) and after the StarGuard® process

SEAL AND PROTECT

To achieve superior corrosion inhibition, StarGuard® completely seals and protects the interior and exterior surfaces of our copper-free aluminum. Unlike chrome-based processes that dry and crack at temperatures as low as 140°F, StarGuard® maintains its integrity, keeping the conversion coating hydrated at the 350°F+ temperatures typically used in powder coating.

IDEAL SURFACE

StarGuard® does more than just clean and protect aluminum. It chemically resurfaces the components, creating an ideal platform for adhesion between the metal and the powder coat crystals. Working like microscopic Velcro®, StarGuard® creates “fingers” on the surface of the metal. The electrostatically applied powder melts and then flows into and around these “fingers,” cross-links, and permanently bonds onto the StarGuard®-treated substrate for a beautiful Class A finish.



CORROSION PROTECTION

Because the powder bonds to the surface of the fixture as well as across it, any potential corrosion is isolated and arrested. With inferior systems, corrosion from a scratch or pit can rapidly spread underneath the coating and cause large sheets of finish to peel off, dramatically reducing the life of the product.

TESTED

StarGuard® conversion coated samples show 0% degradation after 1000 hours of UL Accelerated Salt Spray Testing - without any powder coat application! Additionally, all B-K Lighting products undergo a rigorous 200% inspection cycle to identify and reject any visual imperfections. These testing and inspection standards ensure that products will stand the test of time, ensuring years of reliable service in today's harsh outdoor conditions.



GOOD FOR THE ENVIRONMENT

Our system is chrome-free, making it the logical choice. Hexavalent chromium, the toxic compound used in typical conversion coat systems, presents grave problems with handling and hazardous waste disposal (à la Erin Brockovich). In contrast, the StarGuard® system is close-looped and filtered, eliminating all emissions. And StarGuard's® residual byproducts are rendered completely inert. They are simply dried and disposed of through normal trash pickup.

EXTENDED WARRANTY

All B-K Lighting products come with a 5 year warranty that covers the finish against color fade, rub- or peel-off, corrosion creep, and wear.

Velcro® is a registered trademark of Velcro USA, Inc.

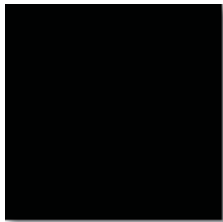


B-K LIGHTING | TECHNICAL INFORMATION

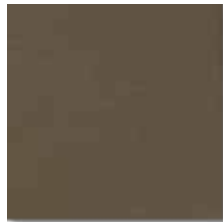
STANDARD FINISHES

Our standard color palette includes eight luxurious polyester powder coat finishes and three unique metal finishes for both brass and stainless steel. All B-K Lighting finishes are warranted against fading, chipping and rub-off for a full five years.

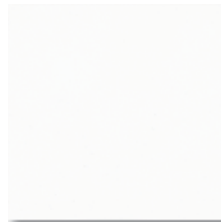
Powder Coated Aluminum or Brass



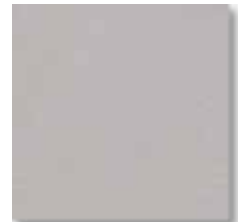
Black Satin (BLP)



Bronze Satin (BZP)



White Satin (WHP)



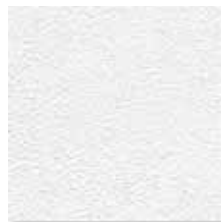
Satin Aluminum (SAP)



Black Wrinkle (BLW)



Bronze Wrinkle (BZW)

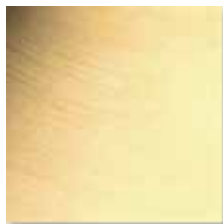


White Wrinkle (WHW)

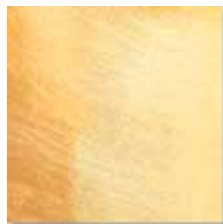


Verde (VER)

Brass



Machined Brass (MAC)



Polished Brass (POL)



Mitique™ Brass (MIT)

Stainless Steel



Machined Stainless (MAC)



Polished Stainless (POL)



Brushed Stainless (BRU)

FINISHES | PREMIUM

For projects requiring unique color options, choose from among our 20 Premium Finishes. With choices ranging from Aleutian Mountain Granite to Weathered Iron (including hundreds of RAL options) almost any color imaginable is available to fit your application.



RAL 1000	RAL 1023	RAL 3001	RAL 4001	RAL 5010	RAL 6004	RAL 6022	RAL 7010	RAL 7038	RAL 8015
RAL 1001	RAL 1024	RAL 3002	RAL 4002	RAL 5011	RAL 6005	RAL 6024	RAL 7011	RAL 7039	RAL 8016
RAL 1002	RAL 1027	RAL 3003	RAL 4003	RAL 5012	RAL 6006	RAL 6025	RAL 7012	RAL 7040	RAL 8017
RAL 1003	RAL 1028	RAL 3004	RAL 4004	RAL 5013	RAL 6007	RAL 6026	RAL 7013	RAL 7042	RAL 8019
RAL 1004	RAL 1032	RAL 3005	RAL 4005	RAL 5014	RAL 6008	RAL 6027	RAL 7015	RAL 7043	RAL 8022
RAL 1005	RAL 1033	RAL 3007	RAL 4006	RAL 5015	RAL 6009	RAL 6028	RAL 7016	RAL 7044	RAL 8023
RAL 1006	RAL 1034	RAL 3009	RAL 4007	RAL 5017	RAL 6010	RAL 6029	RAL 7021	RAL 7045	RAL 8024
RAL 1007	RAL 1037	RAL 3011	RAL 4008	RAL 5018	RAL 6011	RAL 6032	RAL 7022	RAL 7046	RAL 8025
RAL 1011	RAL 2000	RAL 3012	RAL 4009	RAL 5019	RAL 6012	RAL 6033	RAL 7023	RAL 7047	RAL 8028
RAL 1012	RAL 2001	RAL 3013	RAL 4010	RAL 5020	RAL 6013	RAL 6034	RAL 7024	RAL 8000	RAL 9001
RAL 1013	RAL 2002	RAL 3014	RAL 5000	RAL 5021	RAL 6014	RAL 7000	RAL 7026	RAL 8001	RAL 9002
RAL 1014	RAL 2003	RAL 3015	RAL 5001	RAL 5022	RAL 6015	RAL 7001	RAL 7030	RAL 8002	RAL 9003
RAL 1015	RAL 2004	RAL 3016	RAL 5002	RAL 5023	RAL 6016	RAL 7002	RAL 7031	RAL 8003	RAL 9004
RAL 1016	RAL 2008	RAL 3017	RAL 5003	RAL 5024	RAL 6017	RAL 7003	RAL 7032	RAL 8004	RAL 9005
RAL 1017	RAL 2009	RAL 3018	RAL 5004	RAL 6000	RAL 6018	RAL 7004	RAL 7033	RAL 8007	RAL 9010
RAL 1018	RAL 2010	RAL 3020	RAL 5005	RAL 6001	RAL 6019	RAL 7005	RAL 7034	RAL 8008	RAL 9011
RAL 1019	RAL 2011	RAL 3022	RAL 5007	RAL 6002	RAL 6020	RAL 7006	RAL 7035	RAL 8011	RAL 9016
RAL 1020	RAL 2012	RAL 3027	RAL 5008	RAL 6003	RAL 6021	RAL 7008	RAL 7036	RAL 8012	RAL 9017
RAL 1021	RAL 3000	RAL 3031	RAL 5009	Slight color deviations may be expected due to the printing process.		RAL 7009	RAL 7037	RAL 8014	RAL 9018





CUSTOM | DESIGNS

One impressive thing about B-K has always been their encyclopedic understanding of architecture and construction. We are constantly being asked by designers how a fixture can install in a specific architectural detail, or how it can be modified, if necessary, to fit. And if you don't understand exactly how that detail will be constructed it becomes an impossible question to answer. That's why the B-K Technical Projects Department has always been such an invaluable resource. Simply put, they know what they are doing.

Richard Agriss, Enterprise Lighting Sales

INDEX | PRODUCT

Product	Source	Keyword	Product Page	Ordering Logic	Lamp Data Page
Adjustable Well Star™	Adjust-e-Lume®	AW	124	343	381-384
Adjustable Well Star™	MR16 Halogen	AW	124	343	387
Alpine Series™	Power of 'X'	AP	250	355	385
Alpine Series™	PAR30/38 Halogen	AP	250	355	394-395
Alpine Series™	PAR30/38 Metal Halide	AP	250	355	397-398
Alps™	PAR38 Halogen	AL	36	300	395
ArtiStar™	GU10 Line Voltage	AR	15	302	392
ArtiStar™ (Integral)	Adjust-e-Lume®	AR-TR	14	300	381-384
ArtiStar™ (Integral)	Power of 'X'	AR-TR	16	301	384
ArtiStar™ (Integral)	MR16 Halogen	AR-TR	14	301	387
ArtiStar™ (Integral)	ES16 Metal Halide	AR-TR	16	302	400
ArtiStar™ (Remote)	Adjust-e-Lume®	AR-RM	15	300	381-384
ArtiStar™ (Remote)	Power of 'X'	AR-RM	15	301	384
ArtiStar™ (Remote)	MR16 Halogen	AR-RM	15	301	387
ArtiStar™ (Remote)	ES16 Metal Halide	AR-RM	15	302	400
Bollard Star™	Adjust-e-Lume®	BS	103	314	381-384
Bollard Star™	MR16 Halogen	BS	103	314	387
Brick Star™	Adjust-e-Lume®	BQ	208	344	381-384
Brick Star™	MR16 Halogen	BQ	208	344	387
Brick Star™	GU10 Line Voltage	BQ	208	344	392
Camino Star™	Power of 'e'	CS	109	315	380
Camino Star™	T4 Halogen	CS	109	315	391
Cast Canopy Covers	~	BC (1-5)	280	365	~
Catskill Series™	Power of 'X'	CK	224	355	384
Catskill Series™	PAR20 Halogen	CK	228	355	393
Catskill Series™	PAR20 Metal Halide	CK	228	355	396
Chart Star™	Power of 'e'	CH	200	346	380
Chart Star™	MR11 Halogen	CH	200	346	386
CO2™ (Deep Housing)	GU10 Line Voltage	CO2-GU	127	331	392
CO2™ (Deep Housing)	PAR20/30 Halogen	CO2-PAR	129	332	393-394
CO2™ (Integral Housing)	Adjust-e-Lume®	CO2-LED	127	324	381-384
CO2™ (Integral Housing)	Power of 'X'	CO2-LED	129	326	384
CO2™ (Integral Housing)	Power of 'C'	CO2-LED	129	327	385
CO2™ (Integral Housing)	MR16 Halogen	CO2-MR	127	327	387
CO2™ (Integral Housing)	PAR36 Halogen/AR111	CO2-AR	131	330	388-390
CO2™ (Integral Housing)	PAR20/30 Metal Halide	CO2-PAR	129	335	396-397
CO2™ (Integral Housing)	ES16 Metal Halide	CO2-ES16	127	333	400
CO2™ (Integral Housing)	CDM-R111 Metal Halide	CO2-CDM	131	338	401
CO2™ (Integral Housing)	T4.5/T6 Metal Halide	CO2-T6	131	336	402
CO2™ (Integral Housing)	Compact Fluorescent	CO2-CF	131	333	403
CO2™ (Remote Deep Housing)	Adjust-e-Lume®	CO2-LED	127	324	381-384
CO2™ (Remote Deep Housing)	MR16 Halogen	CO2-MR	127	328	387
CO2™ (Remote Deep Housing)	PAR36 Halogen/AR111	CO2-AR	131	330	388-390
CO2™ (Remote Deep Housing)	PAR20/30 Metal Halide	CO2-PAR	129	336	396-397
CO2™ (Remote Deep Housing)	ES16 Metal Halide	CO2-ES16	127	334	400
CO2™ (Remote Deep Housing)	CDM-R111 Metal Halide	CO2-CDM	131	338	401
CO2™ (Remote Deep Housing)	T6 Metal Halide	CO2-T6	131	337	402
CO2™ (Remote Deep Housing)	E17 Metal Halide	CO2-E17	131	337	403
CO2™ (Remote Shallow Housing)	Adjust-e-Lume®	CO2-LED	135	325	381-384
CO2™ (Remote Shallow Housing)	MR16 Halogen	CO2-MR	135	328	387
CO2™ (Remote Shallow Housing)	PAR36 Halogen/AR111	CO2-AR	135	331	388-390
CO2™ Offset (Deep Housing)	GU10 Line Voltage	CO2-OS	133	332	392
CO2™ Offset (Integral Housing)	Adjust-e-Lume®	CO2-OS	133	325	381-384
CO2™ Offset (Integral Housing)	MR16 Halogen	CO2-OS	133	329	387
CO2™ Offset (Integral Housing)	ES16 Metal Halide	CO2-OS	133	334	400
CO2™ Offset (Remote Deep Housing)	Adjust-e-Lume®	CO2-OS	133	326	381-384
CO2™ Offset (Remote Deep Housing)	MR16 Halogen	CO2-OS	133	329	387
CO2™ Offset (Remote Deep Housing)	ES16 Metal Halide	CO2-OS	133	335	400
Delta Star™	Adjust-e-Lume®	DS	23	303	381-384
Delta Star™	MR16 Halogen	DS	23	303	387
Denali Series™	Power of 'X'	DE	12-13	303	384
DriveStar2™ (Integral Housing)	Power of 'e'	DR2-LED	136	322	380
DriveStar2™ (Integral Housing)	T4 Halogen	DR2-T4	136	323	391
DriveStar2™ (Integral Housing)	T4.5/T6 Metal Halide	DR2-T6	137	323	402
DriveStar2™ (Remote Deep Housing)	Power of 'e'	DR2-LED	136	322	380
DriveStar2™ (Remote Deep Housing)	T4 Halogen	DR2-T4	136	323	391
DriveStar2™ (Remote Deep Housing)	T4.5/T6 Metal Halide	DR2-T6	137	323	402
DriveStar2™ (Remote Shallow Housing)	Power of 'e'	DR2-LED	138	322	380
DriveStar2™ (Remote Shallow Housing)	T4 Halogen	DR2-T4	138	323	391
DriveStar2™ (Remote Shallow Housing)	T4.5/T6 Metal Halide	DR2-T6	139	323	402
EL Capitan Series™	Adjust-e-Lume®	EC	230	359	381-384
EL Capitan Series™	MR16 Halogen	EC	230	359	387
El Dorado Series™	Adjust-e-Lume®	ED	233	359	381-384
El Dorado Series™	MR16 Halogen	ED	233	359	387
Electronic Transformer (BKSSL®)	BKSSL®	TRe20	276	367	~
Electronic Transformer (Low Voltage)	Low Voltage	TRSS75	276	367	~
Electronic Transformer (Low Voltage)	Low Voltage	TRSS150	276	367	~
Everest Series™	PAR20 Metal Halide	EV	42-43	303	396
Glacier Series™	T4 Halogen	GA	114	316	391
Glow Star™	Adjust-e-Lume®	GL	106	316	381-384
Glow Star™	MR16 Halogen	GL	106	317	387
Gold Star™	Adjust-e-Lume®	GD	220	347	381-384
Gold Star™	MR16 Halogen	GD	220	347	387
Gold Star™	GU10 Line Voltage	GD	220	347	392
HP2RM™ (Remote Ballast Housing)	Metal Halide	HP2RM	269	373	~

PRODUCT INDEX

Product	Source	Keyword	Product Page	Ordering Logic	Lamp Data Page
HP2RM™ (Remote Driver Housing)	Power of 'X'	HP2RM	269	375	~
HP2RM™ (Remote Driver Housing)	Power of 'C'	HP2RM	269	378	385
HP2RM™ (Remote Transformer Housing)	BKSSL®/Low Voltage	HP2RM	269	367	~
HP2™ (Deep Housing)	GU10 Line Voltage	HP2-GU	126	331	392
HP2™ (Deep Housing)	PAR20/30 Halogen	HP2-PAR	128	332	393-394
HP2™ (Integral Ballast Housing)	Metal Halide	HP2	266	373	~
HP2™ (Integral Driver Housing)	Power of 'X'	HP2	266	375	~
HP2™ (Integral Driver Housing)	Power of 'C'	HP2	266	378	385
HP2™ (Integral Housing)	Adjust-e-Lume®	HP2-LED	126	324	381-384
HP2™ (Integral Housing)	Power of 'X'	HP2-LED	128	326	384
HP2™ (Integral Housing)	Power of 'C'	HP2-LED	128	327	385
HP2™ (Integral Housing)	MR16 Halogen	HP2-MR	126	327	387
HP2™ (Integral Housing)	PAR36 Halogen/AR111	HP2-AR	130	330	388-390
HP2™ (Integral Housing)	PAR20/30 Metal Halide	HP2-PAR	128	335	396-397
HP2™ (Integral Housing)	ES16 Metal Halide	HP2-ES16	126	333	400
HP2™ (Integral Housing)	CDM-R111 Metal Halide	HP2-CDM	130	338	401
HP2™ (Integral Housing)	T4.5/T6 Metal Halide	HP2-T6	130	336	402
HP2™ (Integral Housing)	Compact Fluorescent	HP2-CF	130	333	403
HP2™ (Remote Deep Housing)	Adjust-e-Lume®	HP2-LED	126	324	381-384
HP2™ (Remote Deep Housing)	MR16 Halogen	HP2-MR	126	328	387
HP2™ (Remote Deep Housing)	PAR36 Halogen/AR111	HP2-AR	130	330	388-390
HP2™ (Remote Deep Housing)	PAR20/30 Metal Halide	HP2-PAR	128	336	396-397
HP2™ (Remote Deep Housing)	ES16 Metal Halide	HP2-ES16	126	334	400
HP2™ (Remote Deep Housing)	CDM-R111 Metal Halide	HP2-CDM	130	338	401
HP2™ (Remote Deep Housing)	T6 Metal Halide	HP2-T6	130	337	402
HP2™ (Remote Deep Housing)	E17 Metal Halide	HP2-E17	130	337	403
HP2™ (Remote Shallow Housing)	Adjust-e-Lume®	HP2-LED	134	325	381-384
HP2™ (Remote Shallow Housing)	MR16 Halogen	HP2-MR	134	328	387
HP2™ (Remote Shallow Housing)	PAR36 Halogen/AR111	HP2-AR	134	331	388-390
HP2™ Offset (Deep Housing)	GU10 Line Voltage	HP2-OS	132	332	392
HP2™ Offset (Integral Housing)	Adjust-e-Lume®	HP2-OS	132	325	381-384
HP2™ Offset (Integral Housing)	ES16 Metal Halide	HP2-OS	132	334	400
HP2™ Offset (Remote Deep Housing)	Adjust-e-Lume®	HP2-OS	132	326	381-384
HP2™ Offset (Remote Deep Housing)	ES16 Metal Halide	HP2-OS	132	335	400
HP2™ Offset (Integral Housing)	MR16 Halogen	HP2-OS	132	329	387
HP2™ Offset (Remote Deep Housing)	MR16 Halogen	HP2-OS	132	329	387
K2 Series™	Power of 'X'	K2	46-47	304	385
K2 Series™	Power of 'C'	K2	46-47	304	385
K2 Series™	PAR38 Metal Halide	K2	46-47	304	398-399
Lassen Series™	PAR30 Halogen	LA	35	305	394
Light Commissioning Tool	Power of 'C'	LCT	297	379	385
LiteStick®	Power of 'e'	LT	110	317	380
LiteStick®	T3 Halogen	LT	110	317	391
LiteStick® Style L	Power of 'e'	LT-L	111	318	380
LiteStick® Style T	Power of 'e'	LT-T	113	318	380
Louvered Bollard Star™	Adjust-e-Lume®	BSL	105	315	381-384
Louvered Bollard Star™	MR16 Halogen	BSL	105	315	387
Louvered Brick Star™	Adjust-e-Lume®	BQL	211	344	381-384
Louvered Brick Star™	MR16 Halogen	BQL	211	344	387
Louvered Brick Star™	GU10 Line Voltage	BQL	211	344	392
Louvered Chart Star™	Power of 'e'	CHL	201	346	380
Louvered Chart Star™	MR11 Halogen	CHL	201	346	386
Louvered Path Star™	Adjust-e-Lume®	PSL	104	319	381-384
Louvered Path Star™	MR16 Halogen	PSL	104	319	387
Louvered Square Step Star™	Adjust-e-Lume®	SQL	207	350	381-384
Louvered Square Step Star™	MR16 Halogen	SQL	207	350	387
Louvered Square Step Star™	GU10 Line Voltage	SQL	207	350	392
Louvered Square Versa Star™	Adjust-e-Lume®	VQL	219	353	381-384
Louvered Square Versa Star™	MR16 Halogen	VQL	219	353	387
Louvered Square Versa Star™	GU10 Line Voltage	VQL	219	353	392
Louvered Step Star™	Adjust-e-Lume®	SSL	203	349	381-384
Louvered Step Star™	MR16 Halogen	SSL	203	349	387
Louvered Step Star™	GU10 Line Voltage	SSL	203	349	392
Louvered Versa Star™	Adjust-e-Lume®	VSL	217	351	381-384
Louvered Versa Star™	MR16 Halogen	VSL	217	351	387
Louvered Versa Star™	GU10 Line Voltage	VSL	217	351	392
Louvered Vertical Brick Star™	Adjust-e-Lume®	VBL	213	345	381-384
Louvered Vertical Brick Star™	GU10 Line Voltage	VBL	213	345	392
Louvered Vertical Brick Star™	MR16 Halogen	VBL	213	345	387
Louvered Yacht Star™	Power of 'e'	YSL	199	354	380
Louvered Yacht Star™	MR11 Halogen	YSL	199	354	386
Machined Recessed Box Cover	~	BC (6-10)	278	365	~
Machined Surface Box Cover	~	BC (11-12)	278	365	~
Magnetic Transformers	BKSSL®/Low Voltage	TR	276	367	~
Mammoth Series™	Power of 'X'	MA	251	360	385
Mammoth Series™	PAR30/38 Halogen	MA	251	360	394-395
Mammoth Series™	PAR30/38 Metal Halide	MA	251	360	397-398
MB2 (Rectangular Junction Box)	~	MB2	280	364	~
MB3 (Round Junction Box)	~	MB3	280	364	~
McKinley Series™	PAR20 Halogen	MC	37	305	393
Micro Nite Star™	Power of 'e'	MN	19	305	380
Micro Nite Star™	MR11 Halogen	MN	19	305	386
Mini-Micro™ Cylinder	Power of 'e'	YM	234	356	380
Mini-Micro™ DriveStar™ (Flush)	Power of 'e'	MD	118	323	380
Mini-Micro™ DriveStar™ (surface)	Power of 'e'	MD	119	323	380

INDEX | PRODUCT

Product	Source	Keyword	Product Page	Ordering Logic	Lamp Data Page
Mini-Micro™ Floodlight	Power of 'e'	MM	18	306	380
Mini-Micro™ iLume™	Power of 'e'	MI	192-195	348	380
Mini-Micro™ Recessed Downlight	Power of 'e'	DM	196	348	380
Mini-Micro™ Step Star™	Power of 'e'	CM	197	348	380
Mini-Micro™ twin Cylinder	Power of 'e'	OM	235	356	380
Nite Star II™	Adjust-e-Lume®	NSII	28	307	381-384
Nite Star II™	MR16 Halogen	NSII	28	307	387
Nite Star™	Adjust-e-Lume®	NS	20	306	381-384
Nite Star™	MR16 Halogen	NS	20	306	387
Olympus Series™	Power of 'X'	OL	227	360	384
Olympus Series™	PAR20 Halogen	OL	229	360	393
Olympus Series™	PAR20 Metal Halide	OL	229	360	396
Path Star™	Adjust-e-Lume®	PS	102	318	381-384
Path Star™	MR16 Halogen	PS	102	318	387
Pendant	Adjust-e-Lume®	PM	240	361	381-384
Pendant	MR16 Halogen	PM	240	361	387
Pendant Micro Nite Star™	Power of 'e'	PM-MN	238	362	380
Pendant Micro Nite Star™	MR11 Halogen	PM-MN	238	362	386
Pendant Mini-Micro™	Power of 'e'	PM-MM	236	363	380
Power Canopy III™ (Ballast Housing)	Metal Halide	PCIII	265	374	~
Power Canopy III™ (Driver Housing)	Power of 'X'	PCIII	265	375	~
Power Canopy III™ (Driver Housing)	Power of 'C'	PCIII	265	378	385
Power Canopy II™ (Ballast Housing)	Metal Halide	PCII	265	374	~
Power Canopy™	Low Voltage	PC	274	364	~
Power Canopy™ (Ballast Housing)	Metal Halide	PC	265	374	~
Power Canopy™ (Driver Housing)	Power of 'X'	PC	265	375	~
Power Pipe II™	Low Voltage	PPII	271	364	~
Power Pipe II™ (Ballast Housing)	Metal Halide	PPII	267	374	~
Power Pipe II™ (Driver Housing)	Power of 'X'	PPII	267	376	~
Power Pipe™	Low Voltage	PP	270	364	~
Rainier Series™	MR16 Halogen	RA	29	307	387
Receptacle Bollard	~	RB	281	367	~
Recessed Uplight ArtiStar™	Adjust-e-Lume®	UL-AR	121	339	381-384
Recessed Uplight Denali Series™	Power of 'X'	UL-DE	122	339	384
Recessed Uplight Mini-Micro™	Power of 'e'	UL-MM	120	339	380
Remote Ballast Housing	Metal Halide	RM	268	373	~
Remote Driver Housing	Power of 'X'	RM	268	375	~
Remote Driver Housing	Power of 'C'	RM	268	378	385
Remote Dual Ballast Housing	Metal Halide	DRM	268	373	~
Remote Dual Driver Housing	Power of 'X'	DRM	268	375	~
Remote Dual Driver Housing	Power of 'C'	DRM	268	378	385
Ring Mount ArtiStar™	Adjust-e-Lume®	RM-AR	27	308	381-384
Ring Mount ArtiStar™	MR16 Halogen	RM-AR	27	308	387
Ring Mount Micro Nite Star™	Power of 'e'	RM-MN	25	308	380
Ring Mount Micro Nite Star™	MR11 Halogen	RM-MN	25	308	386
Ring Mount Mini-Micro™	Power of 'e'	RM-MM	24	309	380
Ring Mounted Machined Canopy	~	RC (6-12)	279	366	~
Rushmore Series™	T4 Halogen	RU	32-33	309	391
Rushmore Series™	T4 Metal Halide	RU	32-33	309	402
Saratoga Series™	T4 Halogen	SA	30-31	310	391
Saratoga Series™	T4 Metal Halide	SA	30-31	310	402
Sequoia Series™	T6 Metal Halide	SU	40-41	310	402
Shasta Series™	MR16 Halogen	SH	34	310	387
Sierra Series™	PAR30 Metal Halide	SE	44-45	310	397
Sign Star™ Denali Series™ Style A	Power of 'X'	SN-A-DE	76	312	384
Sign Star™ Denali Series™ Style B	Power of 'X'	SN-B-DE	78	312	384
Sign Star™ Denali Series™ Style L	Power of 'X'	SN-L-DE	80	312	384
Sign Star™ Micro Nite Star™ Style A	Power of 'e'	SN-A-MN	56	313	380
Sign Star™ Micro Nite Star™ Style A	MR11 Halogen	SN-A-MN	56	313	386
Sign Star™ Micro Nite Star™ Style B	MR11 Halogen	SN-B-MN	58	313	386
Sign Star™ Micro Nite Star™ Style C	Power of 'e'	SN-C-MN	60	313	380
Sign Star™ Micro Nite Star™ Style C	MR11 Halogen	SN-C-MN	60	313	386
Sign Star™ Micro Nite Star™ Style L	Power of 'e'	SN-L-MN	62	313	380
Sign Star™ Micro Nite Star™ Style L	MR11 Halogen	SN-L-MN	62	313	386
Sign Star™ Micro Nite Star™ Style B	Power of 'e'	SN-B-MN	58	313	380
Sign Star™ Mini-Micro™ Style A	Power of 'e'	SN-A-MM	50	314	380
Sign Star™ Mini-Micro™ Style B	Power of 'e'	SN-B-MM	52	314	380
Sign Star™ Mini-Micro™ Style L	Power of 'e'	SN-L-MM	54	314	380
Sign Star™ Style A	Adjust-e-Lume®	SN-A	64	311	381-384
Sign Star™ Style A	MR16 Halogen	SN-A	64	311	387
Sign Star™ Style B	Adjust-e-Lume®	SN-B	66	311	381-384
Sign Star™ Style B	MR16 Halogen	SN-B	66	311	387
Sign Star™ Style C	Adjust-e-Lume®	SN-C	68	311	381-384
Sign Star™ Style C	MR16 Halogen	SN-C	68	311	387
Sign Star™ Style D	Adjust-e-Lume®	SN-D	72-73	312	381-384
Sign Star™ Style D	MR16 Halogen	SN-D	72-73	312	387
Sign Star™ Style E	Incandescent	SN-E	74-75	312	~
Sign Star™ Style L	Adjust-e-Lume®	SN-L	63	311	381-384
Sign Star™ Style L	MR16 Halogen	SN-L	63	311	387
Square Adjustable Well Star™	Adjust-e-Lume®	SW	125	343	381-384
Square Adjustable Well Star™	MR16 Halogen	SW	125	343	387
Square Gold Star™	Adjust-e-Lume®	GQ	221	347	381-384
Square Step Star™	Adjust-e-Lume®	SQ	204	349	381-384
Square Step Star™	MR16 Halogen	SQ	204	349	387
Square Step Star™	GU10 Line Voltage	SQ	204	349	392

PRODUCT INDEX

Product	Source	Keyword	Product Page	Ordering Logic	Lamp Data Page
Square Versa Star™	Adjust-e-Lume®	VQ	218	352	381-384
Square Versa Star™	MR16 Halogen	VQ	218	352	387
Square Versa Star™	GU10 Line Voltage	VQ	218	352	392
Staff Star™ Denali Series™ Style B	Power of 'X'	SF-B-DE	98	320	384
Staff Star™ Denali Series™ Style L	Power of 'X'	SF-L-DE	100	320	384
Staff Star™ Micro Nite Star™ Style B	Power of 'e'	SF-B-MN	88	321	380
Staff Star™ Micro Nite Star™ Style B	MR11 Halogen	SF-B-MN	88	321	386
Staff Star™ Micro Nite Star™ Style C	Power of 'e'	SF-C-MN	90	321	380
Staff Star™ Micro Nite Star™ Style C	MR11 Halogen	SF-C-MN	90	321	386
Staff Star™ Micro Nite Star™ Style L	Power of 'e'	SF-L-MN	92	321	380
Staff Star™ Micro Nite Star™ Style L	MR11 Halogen	SF-L-MN	92	321	386
Staff Star™ Mini-Micro™ Style B	Power of 'e'	SF-B-MM	84	322	380
Staff Star™ Mini-Micro™ Style L	Power of 'e'	SF-L-MM	86	322	380
Staff Star™ Style B	Adjust-e-Lume®	SF-B	94	319	381-384
Staff Star™ Style B	MR16 Halogen	SF-B	94	320	387
Staff Star™ Style C	Adjust-e-Lume®	SF-C	96	319	381-384
Staff Star™ Style C	MR16 Halogen	SF-C	96	320	387
Staff Star™ Style L	Adjust-e-Lume®	SF-L	93	319	381-384
Staff Star™ Style L	MR16 Halogen	SF-L	93	320	387
Stake Mount Junction Box	~	KMJ	273	366	~
Stems (Machined)	~	ST	280	364	~
Step Star™	Adjust-e-Lume®	SS	202	348	381-384
Step Star™	MR16 Halogen	SS	202	348	387
Step Star™	GU10 Line Voltage	SS	202	348	392
Surface Downlight Alpine Series™	Power of 'X'	SM-AP	242	356	385
Surface Downlight ArtiStar™	Adjust-e-Lume®	SM-AR	245	357	381-384
Surface Downlight ArtiStar™	MR16 Halogen	SM-AR	245	357	387
Surface Downlight Denali Series™	Power of 'X'	SM-DE	243	357	384
Surface Downlight Micro Nite™	Power of 'e'	SM-MN	246	358	380
Surface Downlight Micro Nite™	MR11 Halogen	SM-MN	246	358	386
Surface Downlight Mini-Micro™	Power of 'e'	SM-MM	247	358	380
Surface Mount Canopy	~	SMC	278	366	~
Surface Mount Junction Box	~	SMJ	278	366	~
Tenaya2®	Power of 'X'	TY2-LED	141	340	385
Tenaya2®	MR16 Halogen	TY2-MR	141	340	387
Tenaya2®	PAR36 Halogen/AR111	TY2-AR	141	340	388-390
Tenaya2®	PAR30/38 Halogen	TY2-PAR	141	340	394-395
Tenaya2®	PAR30/38 Metal Halide	TY2-PAR	141	341	397-398
Tenaya2®	CDM-R111 Metal Halide	TY2-CDM	141	342	401
Tenaya2®	T6 Metal Halide	TY2-T6	141	341	402
Tenaya2®	E17 Metal Halide	TY2-E17	141	342	403
Tenaya2®	Compact Fluorescent	TY2-CF	141	341	403
Tenon Mount™ (Ballast Housing)	Metal Halide	TMB	264	374	~
Tenon Mount™ (Driver Housing)	Power of 'X'	TMB	264	376	~
Tenon Mount™ (Driver Housing)	Power of 'C'	TMB	264	378	385
Teton Series™	Power of 'e'	TT	248	363	380
Teton Series™	T4 Halogen	TT	248	363	391
Tree Mount Canopy	~	TMC	278	366	~
Tree Mount Junction Box	~	TMJ	278	366	~
Tree Strap Mounting System™ (with MB2 Rectangular Junction Box)	~	TS-MB2	275	367	~
Tree Strap Mounting System™ (with TMC Canopy)	~	TS-TMC	275	367	~
Twin Pendant	Adjust-e-Lume®	WM	241	361	381-384
Twin Pendant	MR16 Halogen	WM	241	361	387
Twin Pendant Micro Nite Star™	Power of 'e'	WM-MN	239	362	380
Twin Pendant Micro Nite Star™	MR11 Halogen	WM-MN	239	362	386
Twin Pendant Mini-Micro™	Power of 'e'	WM-MM	237	363	380
Twin Sign Star™ Denali Series™ Style A	Power of 'X'	ST-A-DE	77	312	384
Twin Sign Star™ Denali Series™ Style B	Power of 'X'	ST-B-DE	79	312	384
Twin Sign Star™ Denali Series™ Style C	Power of 'X'	ST-C-DE	81	312	384
Twin Sign Star™ Micro Nite Star™ Style A	MR11 Halogen	ST-A-MN	57	313	386
Twin Sign Star™ Micro Nite Star™ Style B	MR11 Halogen	ST-B-MN	59	313	386
Twin Sign Star™ Micro Nite Star™ Style C	Power of 'e'	ST-C-MN	61	313	380
Twin Sign Star™ Micro Nite Star™ Style C	MR11 Halogen	ST-C-MN	61	313	386
Twin Sign Star™ Micro Nite Star™ Style A	Power of 'e'	ST-A-MN	57	313	380
Twin Sign Star™ Micro Nite Star™ Style B	Power of 'e'	ST-B-MN	59	313	380
Twin Sign Star™ Mini-Micro™ Style A	Power of 'e'	ST-A-MM	51	314	380
Twin Sign Star™ Mini-Micro™ Style B	Power of 'e'	ST-B-MM	53	314	380
Twin Sign Star™ Mini-Micro™ Style C	Power of 'e'	ST-C-MM	55	314	380
Twin Sign Star™ Style A	Adjust-e-Lume®	ST-A	65	311	381-384
Twin Sign Star™ Style A	MR16 Halogen	ST-A	65	311	387
Twin Sign Star™ Style B	Adjust-e-Lume®	ST-B	67	311	381-384
Twin Sign Star™ Style B	MR16 Halogen	ST-B	67	311	387
Twin Sign Star™ Style C	Adjust-e-Lume®	ST-C	71	311	381-384
Twin Sign Star™ Style C	MR16 Halogen	ST-C	71	311	387
Twin Staff Star™ Denali Series™ Style B	Power of 'X'	TF-B-DE	99	320	384
Twin Staff Star™ Denali Series™ Style C	Power of 'X'	TF-C-DE	101	320	384
Twin Staff Star™ Micro Nite Star™ Style B	Power of 'e'	TF-B-MN	89	321	380
Twin Staff Star™ Micro Nite Star™ Style B	MR11 Halogen	TF-B-MN	89	321	386
Twin Staff Star™ Micro Nite Star™ Style C	Power of 'e'	TF-C-MN	91	321	380
Twin Staff Star™ Micro Nite Star™ Style C	MR11 Halogen	TF-C-MN	91	321	386
Twin Staff Star™ Mini-Micro™ Style B	Power of 'e'	TF-B-MM	85	322	380
Twin Staff Star™ Mini-Micro™ Style C	Power of 'e'	TF-C-MM	87	322	380
Twin Staff Star™ Style B	Adjust-e-Lume®	TF-B	95	319	381-384
Twin Staff Star™ Style B	MR16 Halogen	TF-B	95	320	387
Twin Staff Star™ Style C	Adjust-e-Lume®	TF-C	97	319	381-384

INDEX | PRODUCT

Product	Source	Keyword	Product Page	Ordering Logic	Lamp Data Page
Twin Staff Star™ Style C	MR16 Halogen	TF-C	97	320	387
Universal Power Module™ 1 (Junction Box)	~	PM1J	254/260	370	~
Universal Power Module™ 1 (Transformer Housing)	BKSSL*/Low Voltage	PM1-LV	254	368	~
Universal Power Module™ 1 Dual (Junction Box)	~	PM1DJ	254/260	370	~
Universal Power Module™ 1 Dual (Transformer Housing)	BKSSL*/Low Voltage	PM1D-LV	255	368	~
Universal Power Module™ 1 Dual Remote (Transformer Housing)	BKSSL*/Low Voltage	PM1DRM-LV	260	368	~
Universal Power Module™ 1 Remote (Transformer Housing)	BKSSL*/Low Voltage	PM1RM-LV	260	368	~
Universal Power Module™ 2 (Ballast Housing)	Metal Halide	PM2-MH	256	371	~
Universal Power Module™ 2 (Driver Housing)	Power of 'X'	PM2	256	376	~
Universal Power Module™ 2 (Junction Box)	~	PM2J	256/261	370	~
Universal Power Module™ 2 (Transformer Housing)	BKSSL*/Low Voltage	PM2-LV	256	369	~
Universal Power Module™ 2 Dual (Ballast Housing)	Metal Halide	PM2D-MH	257	371	~
Universal Power Module™ 2 Dual (Driver Housing)	Power of 'X'	PM2D	257	376	~
Universal Power Module™ 2 Dual (Junction Box)	~	PM2DJ	257/261	370	~
Universal Power Module™ 2 Dual (Transformer Housing)	BKSSL*/Low Voltage	PM2D-LV	257	369	~
Universal Power Module™ 2 Dual Remote (Ballast Housing)	Metal Halide	PM2DRM-MH	261	371	~
Universal Power Module™ 2 Dual Remote (Driver Housing)	Power of 'X'	PM2DRM	261	376	~
Universal Power Module™ 2 Dual Remote (Transformer Housing)	BKSSL*/Low Voltage	PM2DRM-LV	261	369	~
Universal Power Module™ 2 Remote (Ballast Housing)	Metal Halide	PM2RM-MH	261	371	~
Universal Power Module™ 2 Remote (Driver Housing)	Power of 'X'	PM2RM	261	376	~
Universal Power Module™ 2 Remote (Transformer Housing)	BKSSL*/Low Voltage	PM2RM-LV	261	369	~
Universal Power Module™ 3 (Ballast Housing)	Metal Halide	PM3-MH	258	372	~
Universal Power Module™ 3 (Driver Housing)	Power of 'X'	PM3	258	377	~
Universal Power Module™ 3 (Driver Housing)	Power of 'C'	PM3	258	379	385
Universal Power Module™ 3 (Junction Box)	~	PM3J	258/262	370	~
Universal Power Module™ 3 Dual (Ballast Housing)	Metal Halide	PM3D-MH	259	372	~
Universal Power Module™ 3 Dual (Driver Housing)	Power of 'X'	PM3D	259	377	~
Universal Power Module™ 3 Dual (Driver Housing)	Power of 'C'	PM3D	259	379	385
Universal Power Module™ 3 Dual (Junction Box)	~	PM3DJ	259/262	370	~
Universal Power Module™ 3 Dual Remote (Ballast Housing)	Metal Halide	PM3DRM-MH	262	372	~
Universal Power Module™ 3 Dual Remote (Driver Housing)	Power of 'X'	PM3DRM	262	377	~
Universal Power Module™ 3 Dual Remote (Driver Housing)	Power of 'C'	PM3DRM	262	379	385
Universal Power Module™ 3 Remote (Ballast Housing)	Metal Halide	PM3RM-MH	262	372	~
Universal Power Module™ 3 Remote (Driver Housing)	Power of 'X'	PM3RM	262	377	~
Universal Power Module™ 3 Remote (Driver Housing)	Power of 'C'	PM3RM	262	379	385
Versa Star™	Adjust-e-Lume®	VS	214	350	381-384
Versa Star™	MR16 Halogen	VS	214	350	387
Versa Star™	GU10 Line Voltage	VS	214	350	392
Vertical Brick Star™	Adjust-e-Lume®	VB	212	345	381-384
Vertical Brick Star™	MR16 Halogen	VB	212	345	387
Vertical Brick Star™	GU10 Line Voltage	VB	212	345	392
Well Star™	Adjust-e-Lume®	WS	123	342	381-384
Well Star™	MR16 Halogen	WS	123	342	387
Yacht Star™	Power of 'e'	YS	198	354	380
Yacht Star™	MR11 Halogen	YS	198	354	386
Yosemite Series™	T6 Metal Halide	YO	38-39	310	402

PHOTO/DESIGN

CREDITS

Image	Design Credit	Photo Credit	Page
B-K Lighting + TEKA Illumination	B-K Lighting	© B-K Lighting	4 - 5
Rincon Green	Weller Design Architectural Lighting	© Bruce Damonte	10 - 11
Fashion Fair	~	© Snapshot Media	12
Skirball Cultural Center	Lam Partners	© Doug Salin	14
Myrtle Beach Boardwalk	~	© ~	15
Vineyard 29	LIT Lighting Design	© B-K Lighting	17
Steinbeck Plaza	Steve Cate, Aurum Consulting Engineers	© Michael Troutman, DMT Imaging	18
Pinecrest Gardens	Savino & Miller Landscape Architects	© Paul Morris	19
Mountain Top Residence	d. Best Light Specification	© Lenny Siegel Photographic	21
River Bank	DMA Lighting	© Steve Keating	22
Smith Arbor	Kathleen Smith	© B-K Lighting	24
Garden Tree Lights	B-K Lighting	© B-K Lighting	26
Iron Horse	d. Best Light Specification	~	28
Rincon Green	Weller Design Architectural Lighting	© Rien von Rijthoven	29
Toronto International Airport	~	~	30
Garden Budha	~	~	32
Oasis Senior Center	Prudential Lighting	© RMA Photography	34
Anthem Parkway	Rise & Shine Lighting	© B-K Lighting	35
Illuminale Boston	Adam S. Kibbe & Carrie Knowlton Hawley	© Adam S. Kibbe	36
Dog Park Pond	Janet Moyer Design	© George Gruel	37
Line of Work	Tripped on Light Design Inc.	© Jered Widmer	38
Iron Tree	B-K Lighting	© B-K Lighting	40
Highland Park Village	The Lighting Practice	© Jered Widmer	42
Restoration Hardware	Ross De Alessi Lighting Design	© Douglas Salin	44
River Park Mall	~	© B-K Lighting	46
Rocky Mountain Hardware	Paul Stoops	© Kevin Syms Photography	48 - 49
Directional Sign	B-K Lighting	© B-K Lighting	54
Pier 3	Architecture & Light	© B-K Lighting	55
Norway Maine Opera House	Greg Day Lighting Design	~	61
Babystyle	~	© B-K Lighting	64
Marketplace	Boueya & Associates	© Barbara Boueya	66
Fedex Kinkos	~	© B-K Lighting	67
Carmel High Performing Arts Center	Steve Cate, Aurum Consulting Engineers	© Brett Drury	69
Carmel High Performing Arts Center	Steve Cate, Aurum Consulting Engineers	© Brett Drury	70
Retail Exterior	~	© B-K Lighting	73
Red Awning	Bradley A. Bouch	© B-K Lighting	74
Verduzco's Elite Gymnastics (VEG)	B-K Lighting	© B-K Lighting	80
Brickstreet Insurance	Robert S. Kimball & Associates	© Robert S. Kimball	81
West Sonoma County Residence	d. Best Light Specification	© Lenny Siegel Photographic	82 - 83
Pinecrest Gardens	Savino & Miller Landscape Architects	© Paul Morris	86
Pinecrest Gardens	Savino & Miller Landscape Architects	© Paul Morris	87
Residential Path	~	© B-K Lighting	94
Commerical Path	~	© B-K Lighting	95
Commerical Path	~	© B-K Lighting	96
Commerical Path	~	© B-K Lighting	97
Fairmont Water Works	The Lighting Practice	© Tom Crane	102
Commerical Path	~	© B-K Lighting	103
Quaker Smith Point	Wagner Hodgson	© Jim Westphalen	107
Terrace View	d. Best Light Specification	~	108
West Sonoma Country Residence	d. Best Light Specification	© Lenny Siegel Photographic	110
Flowerbed	~	© B-K Lighting	111
Garden Pathway	B-K Lighting	© B-K Lighting	112
Skirball Cultural Center	Lam Partners	© Douglas Salin	115
Brookfield Place	Kugler Ning Lighting Design	© Gigi Altarejos	116 - 117
Rincon Green	Weller Design Architectural Lighting	© Rien van Rijthoven	118
NREL Headquarters	~	© Robb Williamson	119
Private Residence	Gregg Mackell	© Jason Jung	120
Millerton Residence	Wagner Hodgson	© Westphalen Photography	121
Barnes' Reflecting Pool	Illuminations, Inc.	© B-K Lighting	123
Acushnet 9/11 Memorial	David Pires	© Frank C. Grace, Trig Photography	124
Chinatown Park	NE Light	~	125
Yale University Art Gallery	Apex Lighting Solutions	© Michael Marsland	126
African Burial Ground Memorial	Domingo Gonzales Associates	© B-K Lighting	127
Fan Pier	Lam Partners	© Nathanael Doak	128
Inhale / Exhale	Kirk Sommer Sales	© Kirk Sommers	129
African Burial Ground Memorial	Domingo Gonzales Associates	© B-K Lighting	130
Utah State Performing Arts	Horton Lees Brogden Lighting Design	© Sasaki	131
State Street Renovation	~	~	132
Palm Springs Tramway	MRC Engineering, Inc.	© Fernando A. Rodriguez	133
Illuminated Entry	B-K Lighting	© B-K Lighting	134
Hidden Hills Residence	Bethe Cohen Design Associates	© Doug Salin	135
Bocci Ball Court	Paul Sangha Landscape Architecture	© Paul Sangha Landscape Architecture	136
Private Residence	David Wilds Patton	© Douglas Salin	137
Central Valley DriveStar	B-K Lighting	© B-K Lighting	138
Arbor Driveway	B-K Lighting	© B-K Lighting	139
Cypress Lawn	Pride Lighting	© B-K Lighting	140
AM Residence	Young & Young Architects	© James Haefner	190 - 191
Private Residence	B-K Lighting	© B-K Lighting	192
Mud Room	B-K Lighting	© B-K Lighting	193
Pinecrest Gardens	Savino & Miller Landscape Architects	© Paul Morris	194
Pinecrest Gardens	Savino & Miller Landscape Architects	© Paul Morris	195
China Cabinet	B-K Lighting	© B-K Lighting	196
Fort Baker	Pride Lighting	© B-K Lighting	197
Private Residence	~	© B-K Lighting	198
Fan Pier	Lam Partners	© Nathanael Doak	199

CREDITS | PHOTO/DESIGN

Image	Design Credit	Photo Credit	Page
Orange County Golf Club	Konsortium I	© Roger Gregston	200
Mendocino County Ranch	d. Best Lighting Specification	© Lenny Siegel Photographic	201
Private Residence	Randall Whitehead Lighting	© Douglas Salin	202
Garden Court	Randy Thueme Design	© Randy Thueme	203
Ravenswood	Allan Diamond Architect	© Gary Wildman Photography	204
Ravenswood	Allan Diamond Architect	© Gary Wildman Photography	205
Logan's Retreat	Lawton Design Studio	© Ethan Gordon	206
Napa Valley Residence	d. Best Lighting Specification	~	209
Logan's Retreat	Lawton Design Studio	© Ethan Gordon	210
Mendocino County Ranch	d. Best Lighting Specification	© Lenny Siegel Photographic	212
Ocean Residence	Randall Whitehead Lighting	© Dennis Anderson	213
Ravenswood	Allan Diamond Architect	© Gary Wildman Photography	215
Vineyard 29	LIT Lighting Design	© B-K Lighting	216
Private Residence	~	© Douglas Salin	218
Jones Residence	d. Best Lighting Specification	© Lenny Siegel Photographic	220
Queen Anne	Coop 15	© Will Austin	222 - 223
Medina Pool House	Evergreen Design Company	© Lara Swimmer	225
Sebastian	B-K Lighting	© B-K Lighting	226
Sebastian	B-K Lighting	© B-K Lighting	227
Napa Valley Residence	d. Best Lighting Specification	~	228
Four Seasons Resort	~	~	229
Federal Jacks Restaurant	Greg Day Lighting Design	© Greg Day	231
Martis Camp	RKD Architects	© Vance Fox Photography	232
Stucco Accent	~	© B-K Lighting	235
Chairman of the Board	~	© B-K Lighting	237
330 Madison Ave	Kugler Lighting Sales	© Frederick Charles	244
330 Madison Ave	Kugler Lighting Sales	© Frederick Charles	245
Patio Umbrellas	B-K Lighting	© B-K Lighting	248
Patio Umbrellas	B-K Lighting	© B-K Lighting	249
Stewart's Building	The Lighting Practice	© Bob Creamer	250
Metropolitan Apts	~	~	251
Mendocino County Ranch	d. Best Lighting Specification	© Lenny Siegel Photographic	252 - 253
Stone Façade	Signature Landscape Lighting	© Robert Borai	272
Garden Bollard	B-K Lighting	© B-K Lighting	281
Brookfield Place	Kugler Ning Lighting Design	© Gigi Altarejos	284
River Park Mall	John Maloney	© Terry O'Rourke Photography	296

The information contained and displayed within this book are, at the time of printing, nominal and accurate. Due to the dynamic nature of the lighting industry, any and all changes are marked online. Please visit www.bklighting.com for the latest updated information.

Adjust-e-Lume® is a registered trademark of B-K Lighting, Inc.*
 BKSSL® is a registered trademark of B-K Lighting, Inc.*
 B-K Lighting® is a registered trademark of B-K Lighting, Inc.*
 Litestick® is a registered trademark of B-K Lighting, Inc.*
 Precision2® is a registered trademark of B-K Lighting, Inc.*
 Star Guard® is a registered trademark of B-K Lighting, Inc.*
 Tenaya2® is a registered trademark of B-K Lighting, Inc.*
 OptiLock® is a registered trademark of B-K Lighting, Inc.*
 HydroLock® is a registered trademark of B-K Lighting, Inc.*
 Traction Control Lens® is a registered trademark of B-K Lighting, Inc.*

The mission of
B-K LIGHTING

is to provide the lighting profession
with the highest quality, most innovative, fairly priced
lighting fixtures and services available.

To do so in a profitable, responsible, and cost effective manner,
and to do so in a company environment
of cooperation and creativity.

Proud corporate member of these organizations



IALDLIRC



LANDSCAPE ARCHITECTURE FOUNDATION



We have manufactured industry-leading products for more than 30 years and we offer a full five year product warranty on everything we make.



"The GreenSource Initiative™ addresses the environmental needs of proper resource management and higher energy efficacy. It is a natural extension of our corporate philosophy, which is to provide the lighting industry with quality and innovative products. As environmental stewards, we connect our customers, our employees and our business to the betterment of the environment through investment, incentives, manufacturing processes and innovatively designed light sources. It makes perfect sense for today and for future generations to come."

Visit www.bklighting.com/greensource for details.





B-K LIGHTING

40429 Brickyard Drive • Madera, CA 93636 • USA • 559.438.5800 • FAX 559.438.5900
www.bklighting.com

©2014 by B-K Lighting, Inc. All Rights Reserved • 11/14

♻️ Printed on 100% recyclable paper